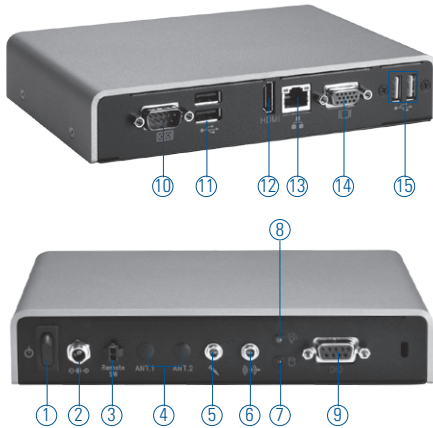


# DSB320-842

Fanless Digital Signage Player Supports Intel® Celeron® Processor J1900 (up to 2.42 GHz)



- |                         |                      |                 |
|-------------------------|----------------------|-----------------|
| 1. Power on/off button  | 6. Audio (Line-out)  | 11. USB 2.0 x 2 |
| 2. 12Vdc in             | 7. Storage indicator | 12. HDMI output |
| 3. Remote button switch | 8. Power indicator   | 13. RJ45        |
| 4. Antenna(optional)    | 9. Digital I/O (DIO) | 14. VGA output  |
| 5. Audio (Mic -in)      | 10. RS-232 (COM)     | 15. USB 2.0 x 2 |

## Specifications

Main System	CPU	Intel® Celeron® processor J1900 (up to 2.42 GHz) (Bay Trail)
	System Memory	1 x 204-pin DDR3L-1333 SO-DIMM max. up to 8 GB
	Storage	1 x mSATA supported
	Watchdog Timer	255 levels, 1-255 sec.
I/O	4 x USB 2.0 1 x 10/100/1000Mbps Ethernet 1 x 8-CH TTL DIO (DB9 connector) 1 x HDMI 1 x VGA 1 x RS-232 (COM) 1 x power on/off button 1 x Audio (Line out) 1 x Audio (Mic-in) 1 x Remote button switch 1 x Kensington lock	
Indicator	1 x LED for system power on 1 x LED for HDD active	
WiFi	Optional 802.11 b/g/n	
Expansion Slot	1 x full-size PCI Express Mini card (for mSATA) 1 x half-size PCI Express Mini card with SIM slot	
Power Supply	12VDC, with AC-DC 12/36W Adapter	
Dimensions	180.7 mm (7.11") (W) x 128 mm (5.04") x 34.7 mm (1.37")	
Packing Dimension	309 mm (12.17") (W) x 275 mm (10.83") (D) x 106 mm (4.17") (H)	
Weight (net/gross)	1 kg (2.21 lb)/ 1.5 kg (3.3 lb)	
Environmental	0°C ~ +40°C (+32°F ~ +104°F)	

Архангельск (8182)63-90-72  
Астана +7(7172)727-132  
Белгород (4722)40-23-64  
Брянск (4832)59-03-52  
Владивосток (423)249-28-31  
Волгоград (844)278-03-48  
Вологда (8172)26-41-59  
Воронеж (473)204-51-73  
Екатеринбург (343)384-55-89  
Иваново (4932)77-34-06  
Ижевск (3412)26-03-58  
Казань (843)206-01-48

Калининград (4012)72-03-81  
Калуга (4842)92-23-67  
Кемерово (3842)65-04-62  
Киров (8332)68-02-04  
Краснодар (861)203-40-90  
Красноярск (391)204-63-61  
Курск (4712)77-13-04  
Липецк (4742)52-20-81  
Магнитогорск (3519)55-03-13  
Москва (495)268-04-70  
Мурманск (8152)59-64-93  
Набережные Челны (8552)20-53-41

Нижний Новгород (831)429-08-12  
Новокузнецк (3843)20-46-81  
Новосибирск (383)227-86-73  
Орел (4862)44-53-42  
Оренбург (3532)37-68-04  
Пенза (8412)22-31-16  
Пермь (342)205-81-47  
Ростов-на-Дону (863)308-18-15  
Рязань (4912)46-61-64  
Самара (846)206-03-16  
Санкт-Петербург (812)309-46-40  
Саратов (845)249-38-78

Смоленск (4812)29-41-54  
Сочи (862)225-72-31  
Ставрополь (8652)20-65-13  
Тверь (4822)63-31-35  
Томск (3822)98-41-53  
Тула (4872)74-02-29  
Тюмень (3452)66-21-18  
Ульяновск (8422)24-23-59  
Уфа (347)229-48-12  
Челябинск (351)202-03-61  
Череповец (8202)49-02-64  
Ярославль (4852)69-52-93

- Fanless operation
- Low power consumption
- Supports Intel® Celeron® 4-core J1900 onboard (Bay Trail-D)
- Supports DDR3L-1333 SO-DIMM max. up to 8 GB
- 1 HDMI & 1 VGA for dual independent display
- 1 mSATA supported
- Supports AVB (Audio Video Bridging) feature
- Supports TV rack, wall mount and VESA mount

## Optional OS Installation

Windows® 7, Windows® 8.1

## Ordering Information

### Standard

DSB320-842 Fanless digital signage player supports Intel® Celeron® processor J1900 (up to 2.42 GHz)

### Optional

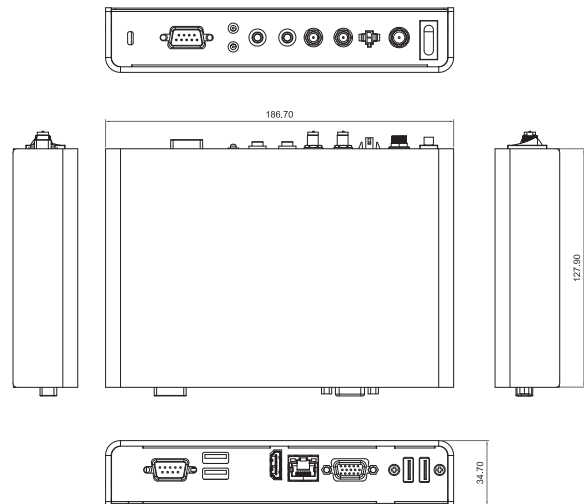
VESA Mount kit

Wall Mount kit

TV Rack Kit

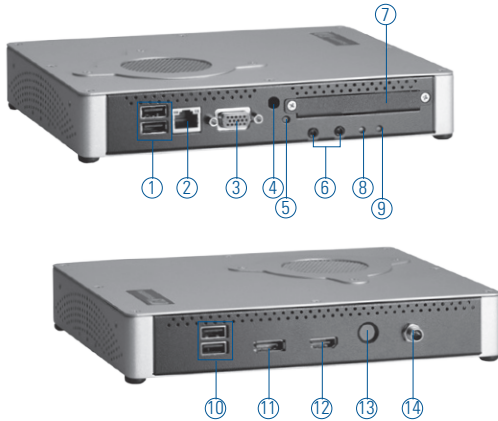
\* Specification and certifications are based on options and may vary.

## Dimensions



# DSB500-860

High Performance Digital Signage Player  
Supports Socket G2 2nd Generation Intel®  
Core™ Processor



- |                            |                            |                  |
|----------------------------|----------------------------|------------------|
| 1. USB 2.0 x 2             | 6. Audio (Line-out/Mic-in) | 11. DisplayPort  |
| 2. Ethernet                | 7. 2.5" HDD tray           | 12. HDMI         |
| 3. VGA                     | 8. Power LED               | 13. Power button |
| 4. WiFi antenna (optional) | 9. HDD LED                 | 14. 19V DC in    |
| 5. Reset button            | 10. USB 2.0 x 2            |                  |



## Specifications

Standard Color	Black/Grey
Construction	Heavy-duty steel
CPU	Socket G2 (rPGA988B) for 2nd generation Intel® Core™ i7/i5/i3 processor (Sandy Bridge)
Chipset	Intel® QM67
System Memory	1 x 204-pin DDR3-1066/1333/1600 SO-DIMM max. up to 8 GB
Storage	1 x 2.5" SATA HDD
BIOS	AMI
System I/O Outlet	1 x DisplayPort 1 x VGA 4 x USB 2.0 1 x Audio (Line-out/Mic-in) 1 x HDMI 1 x 10/100/1000Mbps Ethernet 1 x power on/off button 1 x reset button
Indicator	1 x LED for system power ON, 1 x LED for HDD
WiFi	Optional 802.11 b/g/n
Expansion Slot	1 x PCI Express Mini Card
Power Supply	19VDC
Operating Temperature	0°C ~ +40°C (+32°F ~ +104°F)
Dimensions	210 mm (8.26") (W) x 165 mm (6.49") (D) x 35 mm (1.37") (H)
Packing Dimensions	277 mm (10.91") (W) x 212 mm (8.35") (D) x 147 mm (5.79") (H)
Weight (net/gross)	1.5 kg (3.3 lb)/ 2.5 kg (5.51 lb)
Certificate	CE

## Packing

- 1 x driver CD
- 1 x adapter 19V 90W
- 1 x power cord
- 2 x M3 screw

## Features

- Supports Socket G2 (rPGA988B) 2nd generation Intel® Core™ i7/i5/i3 processor
- Intel® QM67 chipset
- DDR3-1066/1333/1600 SO-DIMM max. up to 8 GB
- HDMI & DisplayPort & VGA
- One 2.5" SATA drive bay
- Supports Intel® AMT (Active Management Technology) 7.0
- Optional wireless LAN module
- Supports wall mount and VESA mount

## Optional EOS Installation

Windows® XP Embedded, WES7

## Optional OS Installation

Windows® 7

## Ordering Information

### Standard

DSB500-860 High performance digital signage player supports socket G2 2nd generation Intel® Core™ processor

### Optional

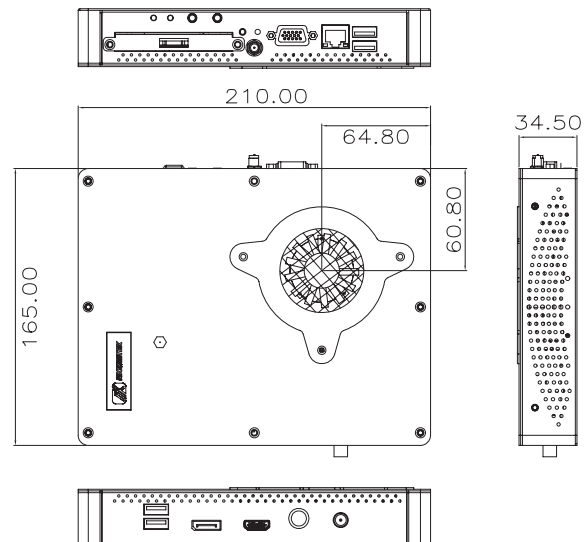
Wireless Lan kit Wi-Fi module and antenna

VESA mount kit

Wall mount kit

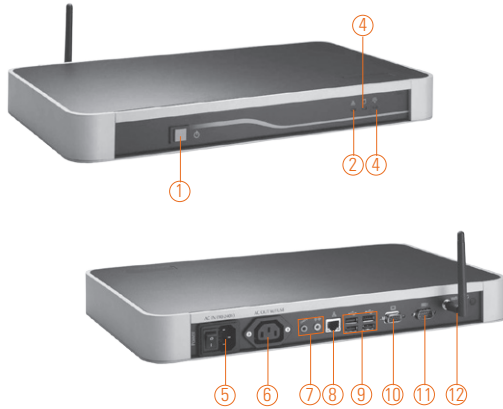
\* Specification and certifications are based on options and may vary.

## Dimensions



# DSB300

IP40 Dust-proof Digital Signage Player  
Supports Intel® Atom™ processor D525  
1.8 GHz



- |                 |                            |
|-----------------|----------------------------|
| 1. Power switch | 7. Audio (Line-out/Mic-in) |
| 2. Ethernet LED | 8. Ethernet                |
| 3. HDD LED      | 9. USB 2.0 x 4             |
| 4. Power LED    | 10. VGA                    |
| 5. AC inlet     | 11. COM (RS-232)           |
| 6. AC outlet    | 12. Wifi antenna           |



Full HD IP40 Fanless Low Power

## Specifications

Standard Color	Black
Construction	Aluminum
CPU	Intel® Atom™ processor D525 1.8 GHz
Chipset	Intel® ICH8M
System Memory	2 x 204-pin DDR3 SO-DIMM max. up to 4 GB
Storage	2.5" SATA HDD
BIOS	AMI
System I/O	4 X USB 2.0
Outlet	1 X 10/100/1000Mbps Ethernet 1 X VGA 1 x RS-232 1 x Audio (Mic-in/Line-out)
Indicator	1 x LED for system power ON, 1 x LED for HDD
WiFi	Optinal 802.11 b/g/N
Expansion Slot	2 x PCI Express Mini Card (for optional 3G and wireless module)
Power Supply	65W, 100 ~ 240VAC
Operating Temperature	0°C ~ +40°C (+32°F ~ +104°F)
Dimensions	400 mm (15.74") (W) x 235 mm (9.25") (D) x 44 mm ( 1.73") (H)
Packing Dimensions	580 mm (22.83") (W) x 152 mm (5.98") (D) x 363 mm (14.29") (H)
Weight (net/gross)	3.8 kg (8.37 lb)/4.6 kg (10.14 lb)
Certification	CE

## Packing

- 4 x foot stand
- 2 x wall mount bracket
- 4 x M4 screw
- 1 x driver CD

## Features

- Sn Dust-proof design (full enclosure: IP40)
- Fanless operation
- Low power consumption: Intel® Atom™ processor D525 1.8 GHz
- Hardware decoder for full HD monitor
- Optional 3G and wireless module
- Supplies power to LCD
- Supports wall mount

## Optional EOS Installation

Windows® XP Embedded

## Optional OS Installation

Windows® XP, Windows® 7

## Ordering Information

### Standard

DSB300 Fanless IP40 dust-free digital signage player with Intel® processor D525 1.8 GHz  
(P/N: E22L300100)

### Optional

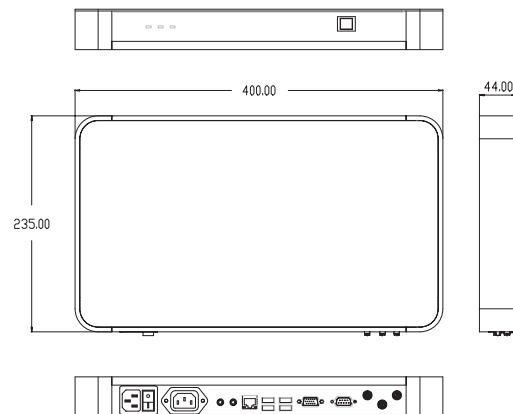
3G module and antenna

Wireless LAN kit

AC output cable

\* Specification and certifications are based on options and may vary.

## Dimensions



# DSB310

Fanless Digital Signage Player Supports AMD G-Series APU T40E 1.0 GHz dual core



- |                            |                 |
|----------------------------|-----------------|
| 1. Power switch            | 7. Ethernet x 2 |
| 2. HDD LED                 | 8. Audio        |
| 3. Power LED               | 9. COM (RS-232) |
| 4. WiFi antenna (optional) | 10. VGA         |
| 5. DisplayPort             | 11. 12V DC in   |
| 6. USB 2.0 x 2             |                 |



## Specifications

Standard Color	Black/Grey
Construction	Aluminum extrusion and heavy-duty steel
CPU	AMD G-Series APU T40E 1.0 GHz dual core onboard
Chipset	AMD Fusion Controller Hub A50M
System Memory	1 x 204-pin DDR3-1066/1333 SO-DIMM max. up to 4 GB
Storage	1 x 2.5" SATA HDD 1 x CompactFlash™
BIOS	AMI
System I/O Outlet	1 x DisplayPort 1 x VGA 2 x USB 2.0 1 x Audio (Line-out/Mic-in) 1 x RS-232 2 x 10/100/1000Mbps Ethernet 1 x Power on/off button
Indicator	1 x LED for system power ON, 1 x LED for HDD
WiFi	Optional 802.11 b/g/n
Expansion Slot	1 x PCI Express Mini Card
Power Supply	12VDC, with AC-DC Adapter
Operating Temperature	0°C ~ +45°C (+32°F ~ +113°F)
Dimensions	186 mm (7.32") (W) x 116 mm (4.56") (D) x 49 mm (1.92") (H)
Packing Dimensions	309 mm (12.17") (W) x 275 mm (10.83") (D) x 106 mm (4.17") (H)
Weight (net/gross)	1.3 kg (2.86 lb)/ 2.3 kg (5.07 lb)
Certification	CE

## Packing

- 1 x adapter 12V 60W
- 1 x power cord
- 4 x M3 screw
- 1 x driver CD

## Features

- Fanless operation
- Supports AMD G-Series APU T40E 1.0 GHz dual core onboard
- DDR3-1066/1333 SO-DIMM max. up to 4 GB
- Low power consumption
- Displayport & VGA
- 1 2.5" SATA drive bay & 1 CF
- Optional wireless LAN module
- Supports wall mount and VESA mount

## Optional EOS Installation

Windows® XP Embedded

## Optional OS Installation

Windows® XP, Windows® 7

## Ordering Information

### Standard

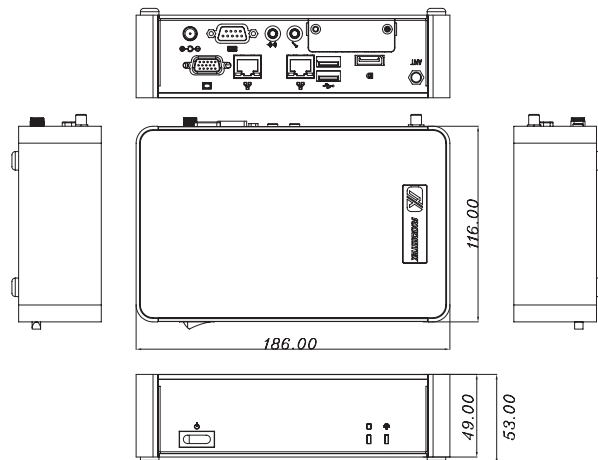
DSB310 Fanless digital signage player with AMD G-Series T40E APU onboard  
(P/N: E22L310100)

### Optional

Wireless Lan kit	Wi-Fi module and antenna
HDMI cable	Cable for DisplayPort to HDMI
DVI cable	Cable for DisplayPort to DVI
VESA mount kit	
Wall mount kit	

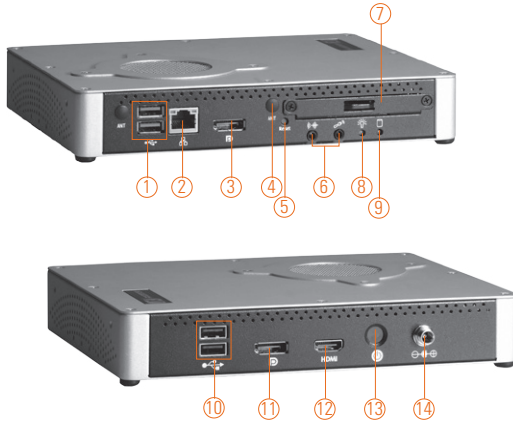
\* Specification and certifications are based on options and may vary.

## Dimensions



# DSB500-870HM

High Performance Digital Signage Player  
Supports Socket G2 3rd Generation Intel®  
Core™ Processor



- |                            |                            |                  |
|----------------------------|----------------------------|------------------|
| 1. USB 3.0 x 2             | 6. Audio (Line-out/Mic-in) | 11. DisplayPort  |
| 2. Ethernet                | 7. 2.5" HDD tray           | 12. HDMI         |
| 3. DisplayPort             | 8. Power LED               | 13. Power button |
| 4. WiFi antenna (optional) | 9. HDD LED                 | 14. 19V DC in    |
| 5. Reset button            | 10. USB 2.0 x 2            |                  |



Full HD TripleView DDR3 USB 3.0

## Specifications

Standard Color	Black/Grey
Construction	Heavy-duty steel
CPU	Socket G2 (rPGA988B) socket for 3rd Generation Intel® Core™ i7/ i5/ i3 processors (Ivy Bridge)
Chipset	Intel® HM76 PCH
System Memory	1 x 204-pin DDR3-1066/1333/1600 SO-DIMM max. up to 8 GB
Storage	1 x 2.5" SATA HDD tray
BIOS	AMI UEFI BIOS with OA 3.0 built
System I/O Outlet	2 x DisplayPort 2 x USB 3.0 2 x USB 2.0 1 x Audio (Line-out/Mic-in) 1 x HDMI 1 x 10/100/1000Mbps Ethernet 1 x power on/off button 1 x reset button
Indicator	1 x LED for system power ON, 1 x LED for HDD
WiFi	Optional 802.11 b/g/n
Expansion Slot	1 x PCI Express Mini Card
Power Supply	Input: AC 90V ~264V Output: DC 19VDC @4.7A
Operating Temperature	0°C ~ +40°C (+32°F ~ +104°F)
Dimensions	210 mm (8.26") (W) x 165 mm (6.49") (D) x 35 mm (1.38") (H)
Packing Dimensions	277 mm (10.91") (W) x 212 mm (8.35") (D) x 147 mm (5.79") (H)
Weight (net/gross)	1.5 kg (3.3 lb)/ 2.5 kg (5.51 lb)
Certification	CE

## Packing

- 1 x driver CD
- 1 x adapter 19V 90W
- 1 x power cord
- 2 x M3 screw

## Features

- Supports Socket G2 (rPGA988B) for 3rd Generation Intel® Core™ i7/ i5/ i3 processors (Ivy Bridge)
- Intel® HM76 chipset
- DDR3-1066/1333/1600 SO-DIMM max. up to 8 GB
- Optional wireless LAN module
- 2 DisplayPort, 1 HDMI
- 1 2.5" SATA drive bay
- Supports wall mount and VESA mount
- Supports 2 USB 3.0 ports

## Optional EOS Installation

Windows® XP Embedded

## Optional OS Installation

Windows® XP, Windows® 7

## Ordering Information

### Standard

DSB500-870HM High performance digital signage player supports Socket G2 3rd Gen. Intel® Core™ processor

### Optional

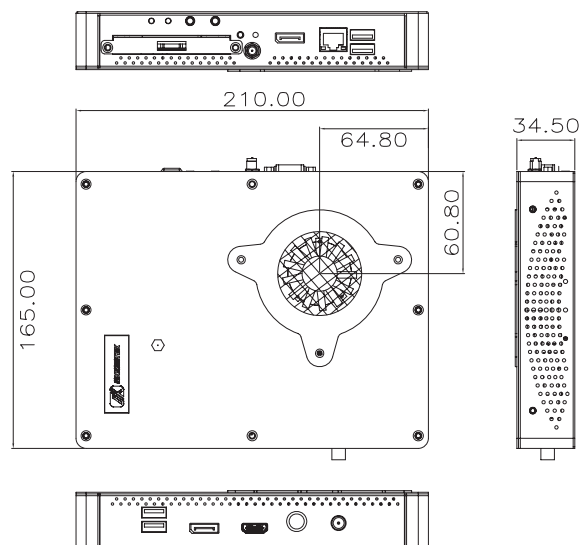
Wireless Lan kit Wi-Fi module and antenna

VESA mount kit

Wall mount kit

\* Specification and certifications are based on options and may vary.

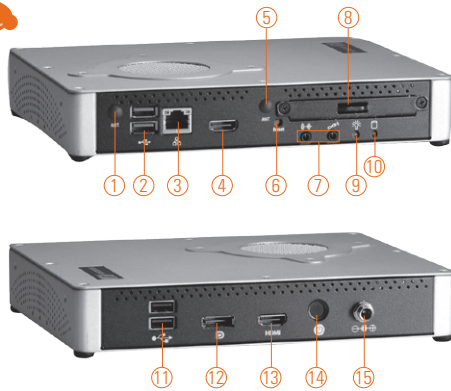
## Dimensions



# DSB500-871HM

High Performance Digital Signage Player  
Supports Socket G2 3rd Generation Intel®  
Core™ Processor

**NEW**



- |                            |                            |                  |
|----------------------------|----------------------------|------------------|
| 1. WiFi antenna (optional) | 6. Reset button            | 10. HDD LED      |
| 2. USB 3.0 x 2             | 7. Audio (Line-out/Mic-in) | 11. USB 2.0 x 2  |
| 3. Ethernet                | 8. 2.5" HDD tray           | 12. DisplayPort  |
| 4. HDMI                    | 9. Power LED               | 13. HDMI         |
| 5. Power button            |                            | 14. Power button |
|                            |                            | 15. 19V DC in    |



## Specifications

Standard Color	Black/Grey
Construction	Heavy-duty steel
CPU	Socket G2 (rPGA988B) socket for 3rd Generation Intel® Core™ i5/ i3 processors (Ivy Bridge)
Chipset	Intel® HM76 PCH
System Memory	1 x 204-pin DDR3-1066/1333/1600 SO-DIMM max. up to 8 GB
Storage	1 x 2.5" SATA HDD tray
BIOS	AMI UEFI BIOS
System I/O Outlet	1 x DisplayPort 2 x USB 3.0 2 x USB 2.0 1 x Audio (Line-out/Mic-in) 2 x HDMI 1 x 10/100/1000Mbps Ethernet 1 x power on/off button 1 x reset button
Indicator	1 x LED for system status
WiFi	Optional 802.11 b/g/n
Expansion Slot)	1 x PCI Express Mini Card
Operating Temperature	0°C ~ +40°C (+32°F ~ +104°F)
Dimensions	210 mm (8.26") (W) x 165 mm (6.49") (D) x 35 mm (1.38") (H)
Packing Dimensions	TBD
Weight (net/gross)	1.5 kg (3.3 lb)/ 2.5 kg (5.51 lb)
Certification	CE

## Features

- Supports Socket G2 (rPGA988B) 3rd Generation Intel® Core™ i5/ i3 processors
- Intel® HM76 chipset
- DDR3-1066/1333/1600 SO-DIMM max. up to 8 GB
- Optional wireless LAN module
- 1 DisplayPort, 2 HDMI
- One 2.5" SATA drive bay
- Supports wall mount and VESA mount
- Supports 2 USB 3.0 ports
- Supports TPM 1.2

## Optional EOS Installation

Windows® XP Embedded

## Optional OS Installation

Windows® XP, Windows® 7, Windows® Embedded 8

## Ordering Information

### Standard

DSB500-871HM High performance digital signage player supports Socket G2 3rd Gen. Intel® Core™ processor

### Optional

Wireless Lan kit Wi-Fi module and antenna

VESA mount kit

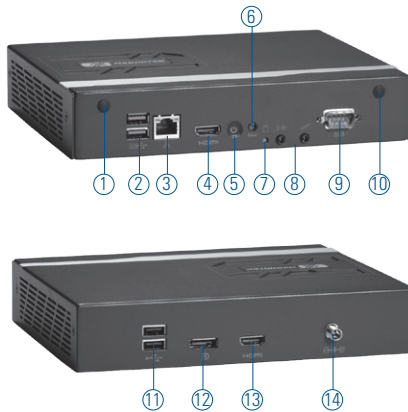
Wall mount kit

\* Specification and certifications are based on options and may vary.



# DSB550-880

High Performance Digital Signage Player with 4th Generation Intel® Core™ i5/i3 Processor



- |                             |                                  |                 |
|-----------------------------|----------------------------------|-----------------|
| 1. Wi-Fi antenna (optional) | 6. Reset button                  | 11. USB 2.0 x 2 |
| 2. USB 3.0 x 2              | 7. HDD LED                       | 12. DisplayPort |
| 3. Ethernet                 | 8. Audio (Line-out/Mic-in)       | 13. HDMI        |
| 4. 4K HDMI                  | 9. RS-232 (COM 2)                | 14. 19V DC in   |
| 5. Power button             | 10. 3G & Wi-Fi module (optional) |                 |

## Specifications

Standard Color	Black/Grey
Construction	Heavy-duty steel
CPU	Supports 4th generation Intel® Core™ i5/i3 processor (Haswell)
Chipset	Intel® QM87
System Memory	1 x 204-pin DDR3L-1066/1333/1600 SO-DIMM max. up to 8 GB
Storage	1 x 2.5" SATA HDD 1 x mSATA
BIOS	AMI UEFI BIOS
System I/O Outlet	1 x DisplayPort 2 x USB 3.0 2 x USB 2.0 1 x audio (Line-out/Mic-in) 2 x HDMI (Front HDMI supports 4K) 1 x 10/100/1000 Mbps Ethernet 1 x RS-232 (COM 2) 1 x power on/off button 1 x reset button
Indicator	1 x LED for system power ON, 1 x LED for HDD
WiFi	Optional 802.11 b/g/n
Expansion Slot	2 x PCI Express Mini Card
Power Supply	Input: AC 90V ~264V Output: DC 19VDC @4.74 A
Operating Temperature	0°C ~ +40°C (+32°F ~ +104°F)
Dimensions	210 mm (8.26") (W) x 164 mm (6.46") (D) x 40 mm (1.57") (H)
Packing Dimensions	277mm (10.90") (W) x 212 mm (8.35") (D) x 147 mm (5.79") (H)
Weight (net/gross)	1.9 kg (4.2lb)/ 2.9 kg (6.4 lb)
Certificate	CE

Архангельск (8182)63-90-72  
Астана +7(7172)727-132  
Белгород (4722)40-23-64  
Брянск (4832)59-03-52  
Владивосток (423)249-28-31  
Волгоград (844)278-03-48  
Вологда (8172)26-41-59  
Воронеж (473)204-51-73  
Екатеринбург (343)384-55-89  
Иваново (4932)77-34-06  
Ижевск (3412)26-03-58  
Казань (843)206-01-48

Калининград (4012)72-03-81  
Калуга (4842)92-23-67  
Кемерово (3842)65-04-62  
Киров (8332)68-02-04  
Краснодар (861)203-40-90  
Красноярск (391)204-63-61  
Курск (4712)77-13-04  
Липецк (4742)52-20-81  
Магнитогорск (3519)55-03-13  
Москва (495)268-04-70  
Мурманск (8152)59-64-93  
Набережные Челны (8552)20-53-41

Нижний Новгород (831)429-08-12  
Новокузнецк (3843)20-46-81  
Новосибирск (383)227-86-73  
Орел (4862)44-53-42  
Оренбург (3532)37-68-04  
Пенза (8412)22-31-16  
Пермь (342)205-81-47  
Ростов-на-Дону (863)308-18-15  
Рязань (4912)46-61-64  
Самара (846)206-03-16  
Санкт-Петербург (812)309-46-40  
Саратов (845)249-38-78

Смоленск (4812)29-41-54  
Сочи (862)225-72-31  
Ставрополь (8652)20-65-13  
Тверь (4822)63-31-35  
Томск (3822)98-41-53  
Тула (4872)74-02-29  
Тюмень (3452)66-21-18  
Ульяновск (8422)24-23-59  
Уфа (347)229-48-12  
Челябинск (351)202-03-61  
Череповец (8202)49-02-64  
Ярославль (4852)69-52-93

- Supports 4th generation Intel® Core™ i5 processor onboard (Haswell)
- Intel® QM87 chipset
- DDR3L-1066/1333/1600 SO-DIMM max. up to 8 GB
- Optional 3G & wireless LAN module
- 1 DisplayPort & 2 HDMI (4K resolutions)
- One 2.5" SATA HDD & mSATA
- Supports Intel® AMT 9.0
- Supports wall mount and VESA mount
- Supports 2 USB 3.0 ports

## Optional EOS Installation

WES7 and WES8

## Optional OS Installation

Windows® 7, Windows® Embedded 8

## Ordering Information

### Standard

DSB550-880 Digital signage player supports 4th generation Intel® Core™ i5/i3 processor

### Optional

Wireless Lan kit Wi-Fi module and antenna

VESA mount kit

Wall mount kit

\* Specification and certifications are based on requirements and may vary.

## Dimensions

