

HB-460

46" High brightness open frame LCD monitor



Features

- Flexible, low cost and high brightness
- For semi-outdoor kiosk, vending machine, signage application
- 46" 16:9 WUXGA TFT LCD display
- High brightness enhancement
- VESA mount (200x200, 400x200mm)
- Option with anti-reflective treatment



Specifications

LCD panel	Size	46" (16:9)
	Backlight	LED
	Panel type	Premium MVA
	Pixel pitch	0.17675 x 0.53025 mm
	Active area	1018.08x572.67 mm
	Brightness	1000 cd/m2
	Contrast	4000 : 1
	Viewing angle	178 / 178 degree
	Resolution	1920 x 1080
	Display color	16.7M (8 bit)
	Response time	6.5 mS (gray-gray)
	Video	Hor. frequency
Ver. frequency		60/70 Hz
Pixel rate		165 MHz

Signal input	VGA, DVI-I	
OSD adjustment	Power, Enter, Left, Right, Auto	
Power	AC input	100~240Vac, 3A
	Inrush current	40A (cold start)
	Consumption	180W
	Management	VESA DPMS
Mounting	400x300mm M6 screw	
Dimension	1086.9 (W) x 630.9 (H) x 125 (D) mm	
Weight		
Package	Packing	1 pcs / carton
	Carton size	
	Container loading	
Temperature	Operation	0 ~ 50 degree C
	Storage	-30 ~ 70 degree C

Ordering information

Model selection

HB-460-XYZ	X: Panel selection	Y: Input selection	Z: Touch selection
	0: Standard, chosen	0: Standard, VGA/DVI	0: Standard, none
	A: Specified LCD	V: VGA only	G: Glass
	B: Specified LCD	H: VGA/DVI/HDMI	I: IR
	...etc. Specified LCD	P: DVI/HDMI/DP	S: SAW
		S: VGA/DVI/S-video	P: Projective capacitive

Optional accessories

- * Power cord 1.8M power cord, US / EU
- * Signal cable 1.8M VGA cable, 1.8M DVI cable

Архангельск (8182)63-90-72
 Астана +7(7172)727-132
 Белгород (4722)40-23-64
 Брянск (4832)59-03-52
 Владивосток (423)249-28-31
 Волгоград (844)278-03-48
 Вологда (8172)26-41-59
 Воронеж (473)204-51-73
 Екатеринбург (343)384-55-89
 Иваново (4932)77-34-06
 Ижевск (3412)26-03-58
 Казань (843)206-01-48

Калининград (4012)72-03-81
 Калуга (4842)92-23-67
 Кемерово (3842)65-04-62
 Киров (8332)68-02-04
 Краснодар (861)203-40-90
 Красноярск (391)204-63-61
 Курск (4712)77-13-04
 Липецк (4742)52-20-81
 Магнитогорск (3519)55-03-13
 Москва (495)268-04-70
 Мурманск (8152)59-64-93
 Набережные Челны (8552)20-53-41

Нижний Новгород (831)429-08-12
 Новокузнецк (3843)20-46-81
 Новосибирск (383)227-86-73
 Орел (4862)44-53-42
 Оренбург (3532)37-68-04
 Пенза (8412)22-31-16
 Пермь (342)205-81-47
 Ростов-на-Дону (863)308-18-15
 Рязань (4912)46-61-64
 Самара (846)206-03-16
 Санкт-Петербург (812)309-46-40
 Саратов (845)249-38-78

Смоленск (4812)29-41-54
 Сочи (862)225-72-31
 Ставрополь (8652)20-65-13
 Тверь (4822)63-31-35
 Томск (3822)98-41-53
 Тула (4872)74-02-29
 Тюмень (3452)66-21-18
 Ульяновск (8422)24-23-59
 Уфа (347)229-48-12
 Челябинск (351)202-03-61
 Череповец (8202)49-02-64
 Ярославль (4852)69-52-93

HB-084

8.4" High brightness open frame LCD monitor

Features

- Flexible, low cost and high brightness
- For semi-outdoor kiosk, vending machine, signage application
- 8.4" SVGA TFT LCD with LED backlight
- High brightness enhancement
- VESA mount (75x75mm)
- Option with anti-reflective treatment



Specifications

LCD panel	Size	8.4" (4:3)
	Backlight	LED
	Panel type	TN
	Pixel pitch	0.213x0.213 mm
	Active area	170.4x127.8 mm
	Brightness *	1000 nits (max.) *
	Contrast	600 : 1
	Viewing angle	160/140 degree
	Resolution	800 x 600
	Display color	262K/16.2M (6/8bit)
	Response time	Tr/Tf=20/10 mS
	Video	Hor. frequency
Ver. frequency		60/70 Hz
Pixel rate		50 MHz

Signal input	VGA, DVI-I	
OSD adjustment	Power, Enter, Left, Right, Auto	
Power	DC connector	2.5mm diameter
	DC input	12 Vdc / 0.75A
	Consumption	9W
	Management	VESA DPMS
Mounting	75x75mm VESA mount	
Dimension	220 (W) x 147.5 (H) x 40.2 (D) mm	
Net weight	1.1 kg	
Package	Packing	5 pcs / carton
	Carton size	410x368x435mm
	Container loading	
Temperature	Operation	-30 ~ 80 degree C
	Storage	-30 ~ 80 degree C

* Higher brightness is on demand.

Ordering information

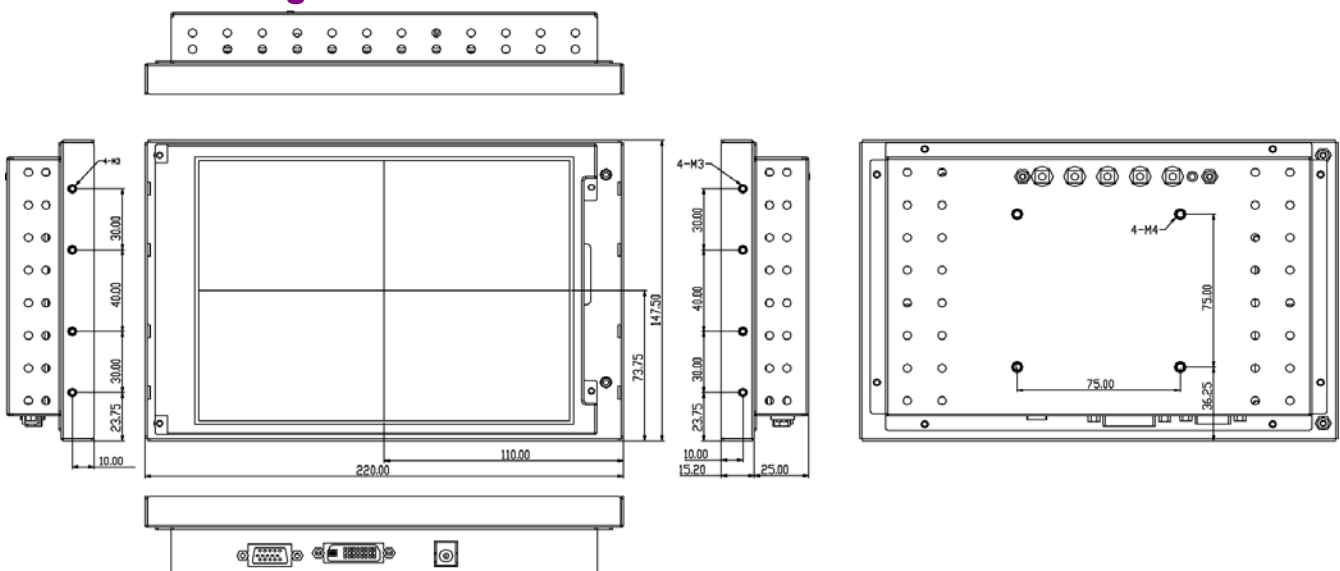
Model selection

HB-084-XYZ	X: Panel selection	Y: Input selection	Z: Touch selection
	0: Standard, chosen	0: Standard, VGA/DVI	0: Standard, none
	A: Specified LCD	V: VGA only	G: Glass
	B: Specified LCD	H: VGA/DVI/HDMI	R: Resistive
	...etc. Specified LCD	P: DVI/HDMI/DP	C: Surface capacitive
		S: VGA/DVI/S-video	P: Projective capacitive
			I: IR
			S: SAW

Optional accessories

- * Power adapter 100 ~ 240 Vac adapter with 12Vdc / 3A o/p
- * Power cord 1.8M power cord, US / EU
- * Signal cable 1.8M VGA cable, 1.8M DVI cable

Product drawing



* All specification and photos are subject to change without notice.

HB-101

10.1" High brightness open frame LCD monitor

Features

- Flexible, low cost and high brightness
- For semi-outdoor kiosk, vending machine, signage application
- 10.1" WXGA TFT LCD with LED backlight
- High brightness enhancement
- VESA mount (75x75mm)
- Option with anti-reflective treatment



Specifications

LCD panel	Size	10.1" (16:9.4)
	Backlight	LED
	Panel type	TN
	Pixel pitch	0.2175x0.2088 mm
	Active area	222.72x125.28 mm
	Brightness *	1000 nits (max.) *
	Contrast	500 : 1
	Viewing angle	80/80/80/80 degree
	Resolution	1024 x 600
	Display color	262K/16.7M (6/8 bit)
Video	Response time	Tr/Tf=11/5 mS
	Hor. frequency	30 ~ 63 KHz
	Ver. frequency	60/70 Hz
	Pixel rate	75 MHz

Signal input	VGA, DVI-I	
OSD adjustment	Power, Enter, Left, Right, Auto	
Power	DC connector	2.5mm diameter
	DC input	12 Vdc / 1A
	Consumption	12W
	Management	VESA DPMS
Mounting	75x75mm VESA mount	
Dimension	265 (W) x 145 (H) x 39 (D) mm	
Net weight		
Package	Packing	
	Carton size	
	Container loading	
Temperature	Operation	-30 ~ 80 degree C
	Storage	-30 ~ 80 degree C

* Higher brightness is on demandt.

Ordering information

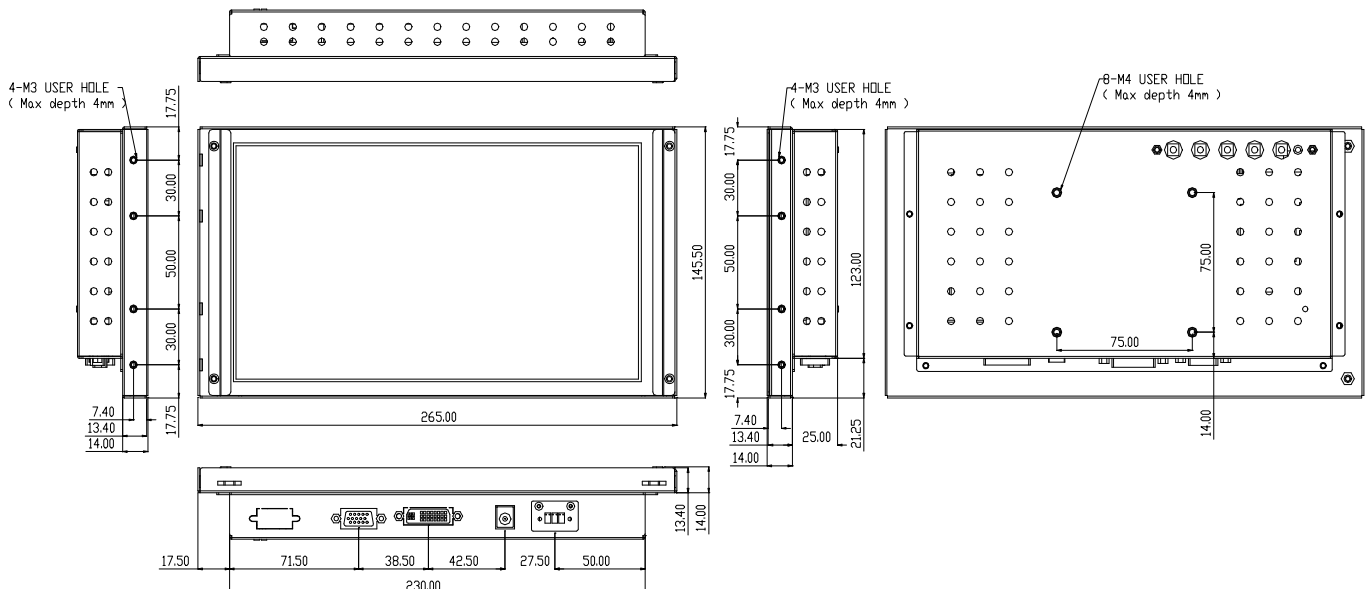
Model selection

HB-101-XYZ	X: Panel selection	Y: Input selection	Z: Touch selection
	0: Standard, chosen	0: Standard, VGA/DVI	0: Standard, none
	A: Specified LCD	V: VGA only	G: Glass
	B: Specified LCD	H: VGA/DVI/HDMI	R: Resistive
	...etc. Specified LCD	P: DVI/HDMI/DP	C: Surface capacitive
		S: VGA/DVI/S-video	P: Projective capacitive
			I: IR
			S: SAW

Optional accessories

- * Power adapter 100 ~ 240 Vac adapter with 12Vdc / 3A o/p
- * Power cord 1.8M power cord, US / EU
- * Signal cable 1.8M VGA cable, 1.8M DVI cable

Product drawing



* All specification and photos are subject to change without notice.

HB-104

10.4" High brightness open frame LCD monitor

Features

- Flexible, low cost and high brightness
- For semi-outdoor kiosk, vending machine, signage application
- 10.4" SVGA TFT LCD with LED backlight
- High brightness enhancement
- VESA mount (75x75mm)
- Option with anti-reflective treatment



Specifications

LCD panel	Size	10.4" (4:3)
	Backlight	LED
	Panel type	TN
	Pixel pitch	0.264x0.264 mm
	Active area	211.2x158.4 mm
	Brightness *	1000 nits (max.) *
	Contrast	400 : 1
	Viewing angle	65/65/45/65 degree
	Resolution	800 x 600
	Display color	256K (6 bit)
	Response time	Tr/Tf=10/15 mS
Video	Hor. frequency	30 ~ 48 KHz
	Ver. frequency	60/70 Hz
	Pixel rate	50 MHz

Signal input	VGA, DVI-I	
OSD adjustment	Power, Enter, Left, Right, Auto	
Power	DC connector	2.5mm diameter
	DC input	12 Vdc / 0.75A
	Consumption	9W
	Management	VESA DPMS
Mounting	75x75mm VESA mount	
Dimension	248 (W) x 182.5 (H) x 38.3 (D) mm	
Net weight	1.2 kg	
Package	Packing	5 pcs / carton
	Carton size	410x368x435mm
	Container loading	
Temperature	Operation	-20 ~ 70 degree C
	Storage	-30 ~ 80 degree C

* Higher brightness is on demand.

Ordering information

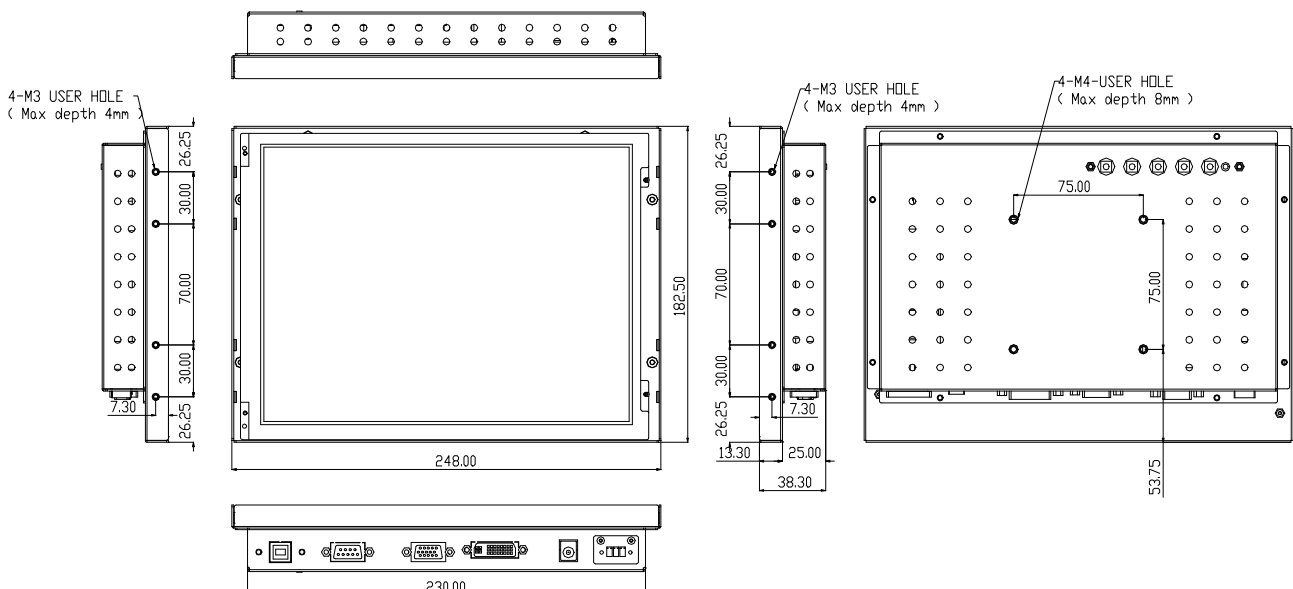
Model selection

HB-104-XYZ	X: Panel selection	Y: Input selection	Z: Touch selection
	0: Standard, chosen	0: Standard, VGA/DVI	0: Standard, none
	A: Specified LCD	V: VGA only	G: Glass
	B: Specified LCD	H: VGA/DVI/HDMI	R: Resistive
	...etc. Specified LCD	P: DVI/HDMI/DP	C: Surface capacitive
		S: VGA/DVI/S-video	P: Projective capacitive
			I: IR
			S: SAW

Optional accessories

- * Power adapter 100 ~ 240 Vac adapter with 12Vdc / 3A o/p
- * Power cord 1.8M power cord, US / EU
- * Signal cable 1.8M VGA cable, 1.8M DVI cable

Product drawing



* All specification and photos are subject to change without notice.

HB-121

12.1" High brightness open frame LCD monitor



Axiomtek Display Solutions

Features

- Flexible, low cost and high brightness
- For semi-outdoor kiosk, vending machine, signage application
- 12.1" XGA TFT LCD with LED backlight
- High brightness enhancement
- VESA mount (75x75mm)
- Option with anti-reflective treatment



Specifications

LCD panel	Size	12.1" (4:3)
	Backlight	LED
	Panel type	TN
	Pixel pitch	0.3075x0.3075 mm
	Active area	245.76x184.32 mm
	Brightness *	1000 cd/m2 *
	Contrast	700 : 1
	Viewing angle	160 / 160 degree
	Resolution	1024 x 768
	Display color	16.2M/262K (8/6 bit)
	Response time	Tr/Tf=10/25 mS
Video	Hor. frequency	30 ~ 57 KHz
	Ver. frequency	60/70 Hz
	Pixel rate	75 MHz

Signal input	VGA, DVI-I	
OSD adjustment	Power, Enter, Left, Right, Auto	
Power	DC connector	2.5mm diameter
	DC input	12 Vdc / 1A
	Consumption	12W
	Management	VESA DPMS
Mounting	75x75mm VESA mount	
Dimension	285 (W) x 223 (H) x 41 (D) mm	
Net weight	1.8 kg	
Package	Packing	5 pcs / carton
	20' container	410x368x435mm
	40' container	
Temperature	Operation	-30 ~ 80 degree C
	Storage	-30 ~ 80 degree C

* Higher brightness is on demand.

Ordering information

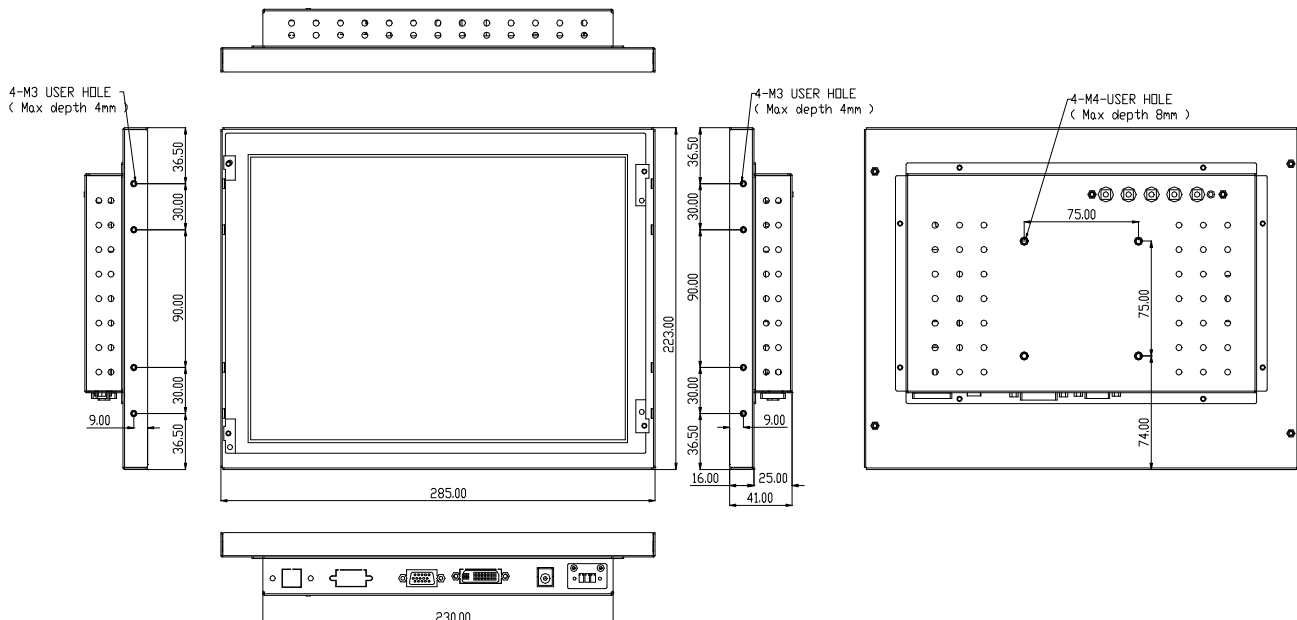
Model selection

HB-121-XYZ	X: Panel selection	Y: Input selection	Z: Touch selection
	0: Standard, chosen	0: Standard, VGA/DVI	0: Standard, none
	A: Specified LCD	V: VGA only	G: Glass
	B: Specified LCD	H: VGA/DVI/HDMI	R: Resistive
	...etc. Specified LCD	P: DVI/HDMI/DP	C: Surface capacitive
		S: VGA/DVI/S-video	P: Projective capacitive
			I: IR
			S: SAW

Optional accessories

- * Power adapter 100 ~ 240 Vac adapter with 12Vdc / 3A o/p
- * Power cord 1.8M power cord, US / EU
- * Signal cable 1.8M VGA cable, 1.8M DVI cable

Product drawing



* All specification and photos are subject to change without notice.

HB-150

15" High brightness open frame LCD monitor

Features

- Flexible, low cost and high brightness
- For semi-outdoor kiosk, vending machine, signage application
- 15" XGA TFT LCD with LED backlight
- High brightness enhancement
- VESA mount (75x75, 100x100mm)
- Option with anti-reflective treatment



Specifications

LCD panel	Size	15" (4:3)
	Backlight	LED
	Panel type	TN
	Pixel pitch	0.297x0.297 mm
	Active area	304.13x228.1 mm
	Brightness *	1000 nits (max.) *
	Contrast	700 : 1
	Viewing angle	80/80/75/55 degree
	Resolution	1024 x 768
	Display color	16.2M (8 bit)
	Response time	Tr/Tf=5.7/2.3 mS
Video	Hor. frequency	30 ~ 57 KHz
	Ver. frequency	60/70 Hz
	Pixel rate	75 MHz

Signal input	VGA, DVI-I	
OSD adjustment	Power, Enter, Left, Right, Auto	
Power	DC connector	2.5mm diameter
	DC input	12 Vdc / 1.6A
	Consumption	19W
	Management	VESA DPMS
Mounting	75x75, 100x100mm VESA mount	
Dimension	335 (W) x 256.5 (H) x 45 (D) mm	
Net weight	3.0 kg	
Package	Packing	3 pcs / carton
	Carton size	420x280x415mm
	Container loading	
Temperature	Operation	-20 ~ 65 degree C
	Storage	-30 ~ 80 degree C

* Higher brightness is on demand.

Ordering information

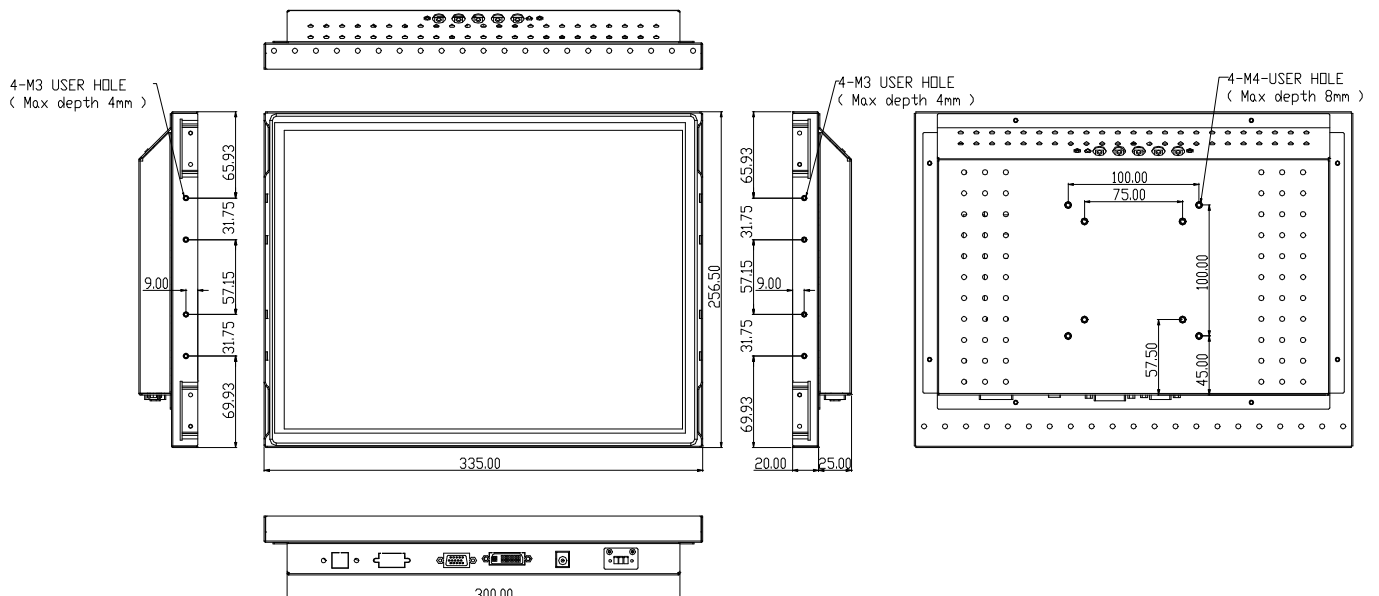
- Model selection

HB-150-XYZ	X: Panel selection	Y: Input selection	Z: Touch selection
	0: Standard, chosen	0: Standard, VGA/DVI	0: Standard, none
	A: Specified LCD	V: VGA only	G: Glass
	B: Specified LCD	H: VGA/DVI/HDMI	R: Resitive
	...etc. Specified LCD	P: DVI/HDMI/DP	C: Surface capacitive
		S: VGA/DVI/S-video	P: Projective capacitive
			I: IR
			S: SAW

- Optional accessories

- * Power adapter 100 ~ 240 Vac adapter with 12Vdc / 3A o/p
- * Power cord 1.8M power cord, US / EU
- * Signal cable 1.8M VGA cable, 1.8M DVI cable

Product drawing



* All specification and photos are subject to change without notice.

HB-156

15.6" High brightness open frame LCD monitor

Features

- Flexible, low cost and high brightness
- For semi-outdoor kiosk, vending machine, signage application
- 15.6" WXGA TFT LCD with LED backlight
- High brightness enhancement
- VESA mount (75x75, 100x100mm)
- Option with anti-reflective treatment



Specifications

LCD panel	Size	15.6" (16:9)
	Backlight	LED
	Panel type	TN
	Pixel pitch	0.252x0.252 mm
	Active area	344.23x193.54 mm
	Brightness *	1000 nits (max.) *
	Contrast	500 : 1
	Viewing angle	80/80/85/85 degree
	Resolution	1366 x 768
	Display color	16.7M (6 bit+HiFRC)
Video	Response time	Tr/Tf=6/2 mS
	Hor. frequency	30 ~ 76 KHz
	Ver. frequency	60/70/75 Hz
	Pixel rate	137 MHz

Signal input	VGA, DVI-I	
OSD adjustment	Power, Enter, Left, Right, Auto	
Power	DC connector	2.5mm diameter
	DC input	12 Vdc / 1.5A
	Consumption	18W
	Management	VESA DPMS
Mounting	75x75, 100x100mm VESA mount	
Dimension		
Net weight		
Package	Packing	3 pcs / carton
	Carton size	
	Container loading	
Temperature	Operation	-20 ~ 60 degree C
	Storage	-30 ~ 80 degree C

* Higher brightness is on demand.

Ordering information

■ Model selection

HB-156-XYZ	X: Panel selection	Y: Input selection	Z: Touch selection
	0: Standard, chosen	0: Standard, VGA/DVI	0: Standard, none
	A: Specified LCD	V: VGA only	G: Glass
	B: Specified LCD	H: VGA/DVI/HDMI	R: Resistive
	...etc. Specified LCD	P: DVI/HDMI/DP	C: Surface capacitive
		S: VGA/DVI/S-video	P: Projective capacitive
			I: IR
			S: SAW

■ Optional accessories

- * Power adapter 100 ~ 240 Vac adapter with 12Vdc / 3A o/p
- * Power cord 1.8M power cord, US / EU
- * Signal cable 1.8M VGA cable, 1.8M DVI cable

Product drawing

HB-170

17" High brightness open frame LCD monitor

Features

- Flexible, low cost and high brightness
- For semi-outdoor kiosk, vending machine, signage application
- 17" SXGA TFT LCD with LED backlight
- High brightness enhancement
- VESA mount (75x75, 100x100mm)
- Option with anti-reflective treatment



Specifications

LCD panel	Size	17" (5:4)
	Backlight	LED
	Panel type	TN
	Pixel pitch	0.264x0.264 mm
	Active area	337.92x270.34 mm
	Brightness *	1000 cd/m2 *
	Contrast	1000 : 1
	Viewing angle	170 / 160 degree
	Resolution	1280 x 1024
	Display color	16.7M (6 bit+HiFRC)
	Response time	Tr/Tf=3.5/1.5 mS
Video	Hor. frequency	30 ~ 80 KHz
	Ver. frequency	60/70/75 Hz
	Pixel rate	135 MHz

Signal input	VGA, DVI-I	
OSD adjustment	Power, Enter, Left, Right, Auto	
Power	DC connector	2.5mm diameter
	DC input	12 Vdc / 2.5A
	Consumption	30W
	Management	VESA DPMS
Mounting	75x75, 100x100mm VESA mount	
Dimension	367 (W) x 299.5 (H) x 50 (D) mm	
Net weight	3.9 kg	
Package	Packing	3 pcs / carton
	Carton size	450x295x457mm
	Container loading	
Temperature	Operation	-20 ~ 60 degree C
	Storage	-30 ~ 80 degree C

* Higher brightness is on demandt.

Ordering information

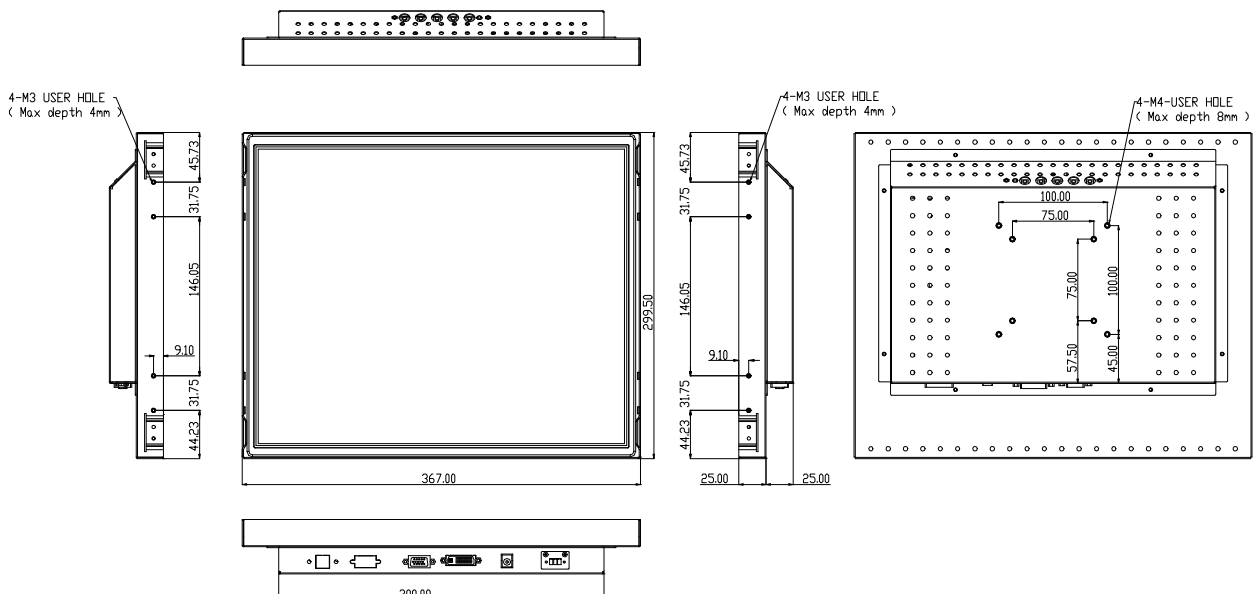
Model selection

HB-170-XYZ	X: Panel selection	Y: Input selection	Z: Touch selection
	0: Standard, chosen	0: Standard, VGA/DVI	0: Standard, none
	A: Specified LCD	V: VGA only	G: Glass
	B: Specified LCD	H: VGA/DVI/HDMI	R: Resistive
	... etc. Specified LCD	P: DVI/HDMI/DP	C: Surface capacitive
		S: VGA/DVI/S-video	P: Projective capacitive
			I: IR
			S: SAW

Optional accessories

- * Power adapter 100 ~ 240 Vac adapter with 12Vdc / 3A o/p
- * Power cord 1.8M power cord, US / EU
- * Signal cable 1.8M VGA cable, 1.8M DVI cable

Product drawing



* All specification and photos are subject to change without notice.

HB-185

18.5" High brightness open frame LCD monitor

Features

- Flexible, low cost and high brightness
- For semi-outdoor kiosk, vending machine, signage application
- 18.5" WXGA TFT LCD with LED backlight
- High brightness enhancement
- VESA mount (75x75, 100x100mm)
- Option with anti-reflective treatment



Specifications

LCD panel	Size	18.5" (16:9)
	Backlight	LED
	Panel type	TN
	Pixel pitch	0.300x0.300 mm
	Active area	409.8x230.4 mm
	Brightness *	1000 cd/m2 *
	Contrast	1000 : 1
	Viewing angle	170 / 160 degree
	Resolution	1366 x 768
	Display color	16.7M (6 bit+HiFRC)
	Response time	Tr/Tf=3.8/1.2 mS
	Video	Hor. frequency
Ver. frequency		60/70/75 Hz
Pixel rate		137 MHz

Signal input	VGA, DVI-I	
OSD adjustment	Power, Enter, Left, Right, Auto	
Power	DC connector	2.5mm diameter
	DC input	12 Vdc / 2.2A
	Consumption	26W
	Management	VESA DPMS
Mounting	75x75, 100x100mm VESA mount	
Dimension	438.9 (W) x 257.6 (H) x 50 (D) mm	
Net weight		
Package	Packing	3 pcs / carton
	Carton size	
	Container loading	
Temperature	Operation	-20 ~ 60 degree C
	Storage	-30 ~ 80 degree C

* Higher brightness is on demand.

Ordering information

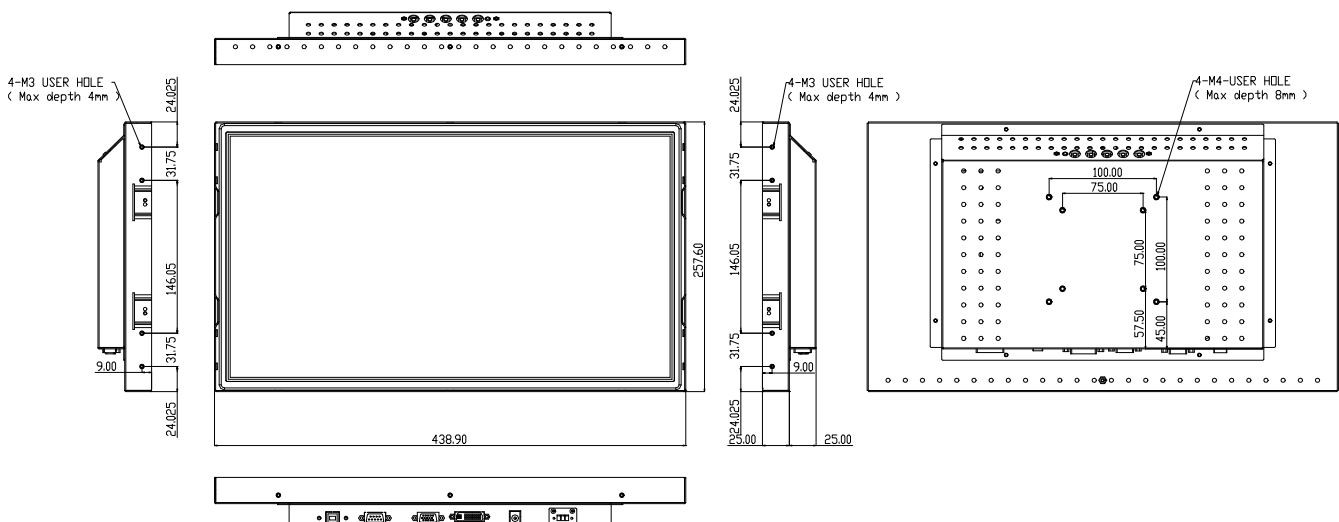
Model selection

HB-185-XYZ	X: Panel selection	Y: Input selection	Z: Touch selection
	0: Standard, chosen	0: Standard, VGA/DVI	0: Standard, none
	A: Specified LCD	V: VGA only	G: Glass
	B: Specified LCD	H: VGA/DVI/HDMI	R: Resistive
	...etc. Specified LCD	P: DVI/HDMI/DP	C: Surface capacitive
		S: VGA/DVI/S-video	P: Projective capacitive
			I: IR
			S: SAW

Optional accessories

- * Power adapter 100 ~ 240 Vac adapter with 12Vdc / 5A o/p
- * Power cord 1.8M power cord, US / EU
- * Signal cable 1.8M VGA cable, 1.8M DVI cable

Product drawing



* All specification and photos are subject to change without notice.

HB-190

19" High brightness open frame LCD monitor

Features

- Flexible, low cost and high brightness
- For semi-outdoor kiosk, vending machine, signage application
- 19" SXGA TFT LCD with LED backlight
- High brightness enhancement
- VESA mount (75x75, 100x100mm)
- Option with anti-reflective treatment



Specifications

LCD panel	Size	19" (5:4)
	Backlight	LED
	Panel type	TN
	Pixel pitch	0.294x0.294 mm
	Active area	376.32x301.06 mm
	Brightness *	1000 cd/m2 *
	Contrast	800 : 1
	Viewing angle	170 / 160 degree
	Resolution	1280 x 1024
	Display color	16.7M (6 bit+HiFRC)
Video	Response time	Tr/Tf=3.6/1.4 mS
	Hor. frequency	30 ~ 80 KHz
	Ver. frequency	60/70/75 Hz
	Pixel rate	135 MHz

Signal input	VGA, DVI-I	
OSD adjustment	Power, Enter, Left, Right, Auto	
Power	DC connector	2.5mm diameter
	DC input	12 Vdc / 3A
	Consumption	36W
	Management	VESA DPMS
Mounting	75x75, 100x100mm VESA mount	
Dimension	404.5 (W) x 327 (H) x 50 (D) mm	
Net weight	4.7 kg	
Package	Packing	3 pcs / carton
	Carton size	488x295x485mm
	Container loading	
Temperature	Operation	-20 ~ 60 degree C
	Storage	-30 ~ 80 degree C

* Higher brightness is on demand.

Ordering information

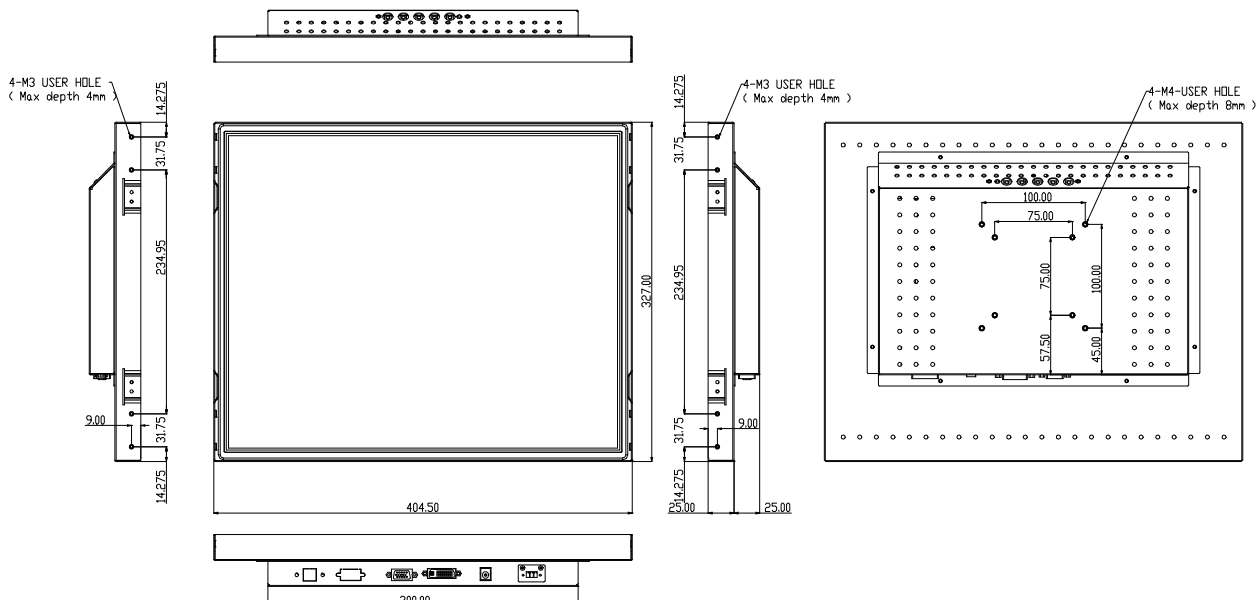
Model selection

HB-190-XYZ	X: Panel selection	Y: Input selection	Z: Touch selection
	0: Standard, chosen	0: Standard, VGA/DVI	0: Standard, none
	A: Specified LCD	V: VGA only	G: Glass
	B: Specified LCD	H: VGA/DVI/HDMI	R: Resistive
	...etc. Specified LCD	P: DVI/HDMI/DP	C: Surface capacitive
		S: VGA/DVI/S-video	P: Projective capacitive
			I: IR
			S: SAW

Optional accessories

- * Power adapter 100 ~ 240 Vac adapter with 12Vdc / 5A o/p
- * Power cord 1.8M power cord, US / EU
- * Signal cable 1.8M VGA cable, 1.8M DVI cable

Product drawing



* All specification and photos are subject to change without notice.

HB-215

21.5" High brightness open frame LCD monitor

Features

- Flexible, low cost and high brightness
- For semi-outdoor kiosk, vending machine, signage application
- 21.5" 16:9 WUXGA wide view angle TFT LCD display
- High brightness enhancement
- VESA mount (75x75, 100x100mm)
- Option with anti-reflective treatment



Specifications

LCD panel	Size	21.5" (16:9)
	Backlight	LED (50K hours)
	Panel type	VA
	Pixel pitch	248.25x248.25 um
	Active area	476.64x268.11 mm
	Brightness *	1000 cd/m2 (max.)
	Contrast	3000 : 1 (typical)
	Viewing angle	178/178 degree
	Resolution	1920 x 1080
	Display color	16.7M (8 bit)
Video	Response time	Tr+Tf=25 mS
	Hor. frequency	30 ~ 86 KHz
	Ver. frequency	60/70/75 Hz
	Pixel rate	165 MHz

Signal input	VGA, DVI-I	
OSD adjustment	Power, Enter, Left, Right, Auto	
Power	DC connector	2.5mm diameter
	DC input	12 Vdc / 3.5A
	Consumption	42W
	Management	VESA DPMS
Mounting	75x75, 100x100mm VESA mount	
Dimension	504.2 (W) x 295.2 (H) x 50 (D) mm	
Net weight		
Package	Packing	3 pcs / carton
	Carton size	
	Container loading	
Temperature	Operation	0 ~ 50 degree C
	Storage	-30 ~ 80 degree C

* Higher brightness is on demand.

Ordering information

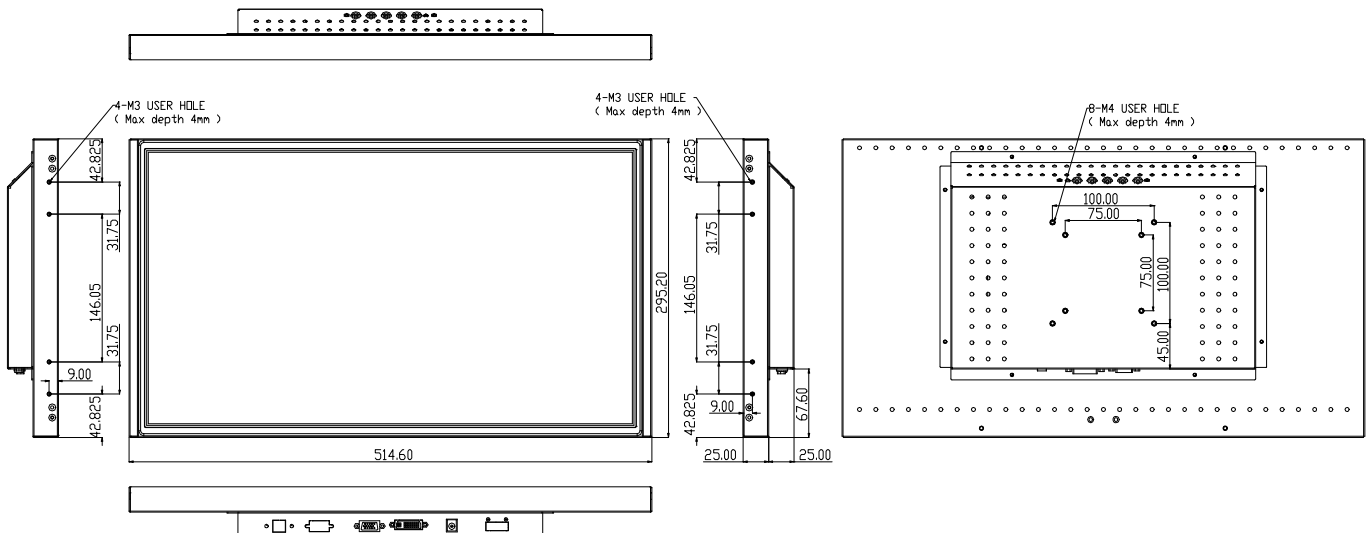
Model selection

HB-215-XYZ	X: Panel selection	Y: Input selection	Z: Touch selection
	0: Standard, chosen	0: Standard, VGA/DVI	0: Standard, none
	A: Specified LCD	V: VGA only	G: Glass
	B: Specified LCD	H: VGA/DVI/HDMI	R: Resistive
	...etc. Specified LCD	P: DVI/HDMI/DP	C: Surface capacitive
		S: VGA/DVI/S-video	P: Projective capacitive
			I: IR
			S: SAW

Optional accessories

- * Power adapter 100 ~ 240 Vac adapter with 12Vdc / 5A o/p
- * Power cord 1.8M power cord, US / EU
- * Signal cable 1.8M VGA cable, 1.8M DVI cable

Product drawing



* All specification and photos are subject to change without notice.

HB-270

27" High brightness open frame LCD monitor

Features

- Flexible, low cost and high brightness
- For semi-outdoor kiosk, vending machine, signage application
- 27" 16:9 WUXGA wide view angle TFT LCD display
- High brightness enhancement
- VESA mount (100x100, 200x200mm)
- Option with anti-reflective treatment



Specifications

LCD panel	Size	27" (16:9)
	Backlight	LED
	Panel type	VA
	Pixel pitch	0.31125 mm
	Active area	597.6x336.15 mm
	Brightness *	1000 cd/m2 (max.)
	Contrast	3000 : 1 (typical)
	Viewing angle	178/178 degree
	Resolution	1920 x 1080
	Display color	16.7M (8 bit)
Video	Response time	Tr+Tf=12 mS
	Hor. frequency	30 ~ 86 KHz
	Ver. frequency	60/70/75 Hz
	Pixel rate	165 MHz

Signal input	VGA, DVI-I	
OSD adjustment	Power, Enter, Left, Right, Auto	
Power	DC connector	2.5mm diameter
	DC input	24 Vdc / 3.2A
	Consumption	77W
Management	VESA DPMS	
Mounting	100x100, 200x200mm VESA mount	
Dimension		
Net weight		
Package	Packing	1 pcs / carton
	Carton size	
	Container loading	
Temperature	Operation	0 ~ 50 degree C
	Storage	-30 ~ 80 degree C

* Higher brightness is on demand.

Ordering information

Model selection

HB-270-XYZ	X: Panel selection	Y: Input selection	Z: Touch selection	
0:	Standard, chosen	0:	Standard, VGA/DVI	
A:	Specified LCD	V:	VGA only	
B:	Specified LCD	H:	VGA/DVI/HDMI	
...etc.	Specified LCD	P:	DVI/HDMI/DP	
		S:	VGA/DVI/S-video	
			I:	IR
			S:	SAW

Optional accessories

- * Power adapter 100 ~ 240 Vac adapter with 24Vdc / 4A o/p
- * Power cord 1.8M power cord, US / EU
- * Signal cable 1.8M VGA cable, 1.8M DVI cable

Product drawing

HB-320

31.5" High brightness open frame LCD monitor

Features

- Flexible, low cost and high brightness
- For semi-outdoor kiosk, vending machine, signage application
- 31.5" 16:9 WUXGA TFT LCD display
- High brightness enhancement
- VESA mount (200x200, 400x200mm)
- Option with anti-reflective treatment



Specifications

LCD panel	Size	31.5"W (16:9)
	Backlight	LED
	Panel type	MVA
	Pixel pitch	121.25x363.75 um
	Active area	698.4x392.85 mm
	Brightness *	1000 cd/m2 (max.)
	Contrast	2000 : 1 (typical)
	Viewing angle	176/176 degree
	Resolution	1920 x 1080
	Display color	16.7M (8 bit)
Video	Response time	Gray-gray=6.5 mS
	Hor. frequency	30 ~ 86 KHz
	Ver. frequency	60/70 Hz
	Pixel rate	165 MHz

Signal input	VGA, DVI-I	
OSD adjustment	Power, Enter, Left, Right, Auto	
Power	AC inlet	IEC320-1
	AC input	100-240Vac/2A
	Consumption	120W
Management	VESA DPMS	
Mounting	200x200, 400x200mm VESA mount	
Dimension	730.7(W) x 439.4(H) x 76.5(D) mm	
Net weight		
Package	Packing	1 pcs / carton
	Carton size	
	Container loading	
Temperature	Operation	0 ~ 50 degree C
	Storage	-30 ~ 70 degree C

* Higher brightness is on demand.

Ordering information

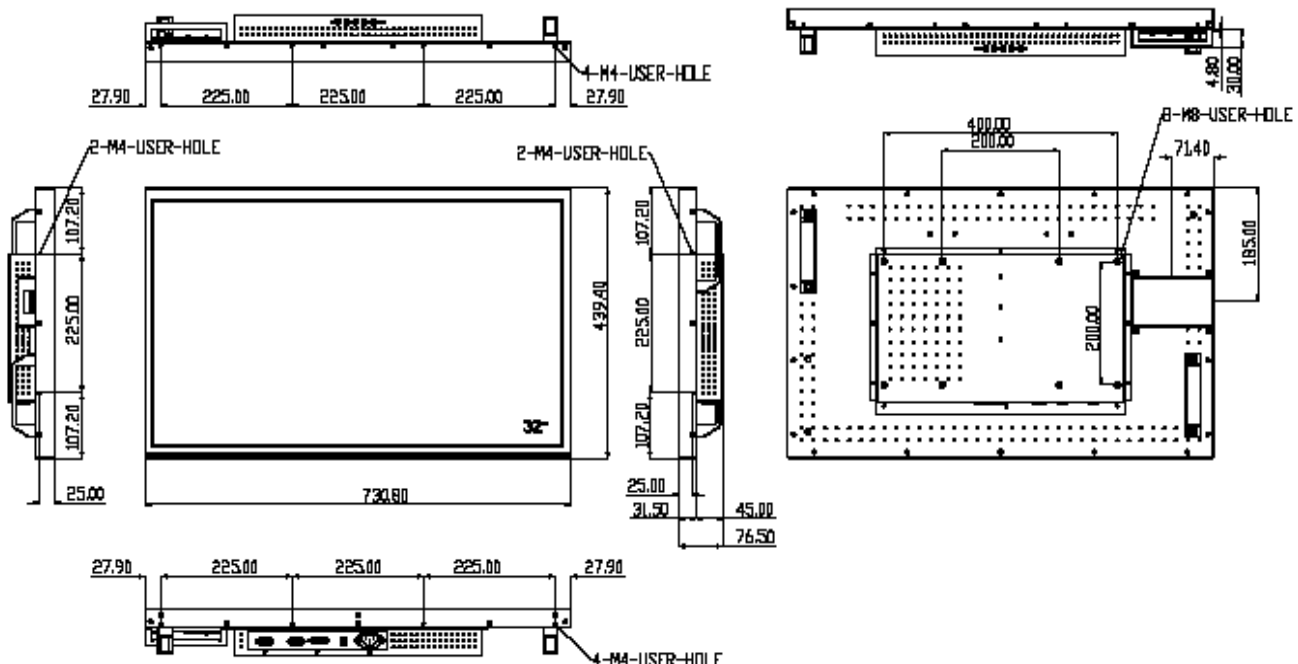
■ Model selection

HB-320-XYZ	X: Panel selection	Y: Input selection	Z: Touch selection
	0: Standard, chosen	0: Standard, VGA/DVI	0: Standard, none
	A: Specified LCD	V: VGA only	G: Glass
	B: Specified LCD	H: VGA/DVI/HDMI	I: IR
	...etc. Specified LCD	P: DVI/HDMI/DP	S: SAW
		S: VGA/DVI/S-video	P: Projective capacitive

■ Optional accessories

- * Power cord 1.8M power cord, US / EU
- * Signal cable 1.8M VGA cable, 1.8M DVI cable

Product drawing



* All specification and photos are subject to change without notice.

HB-420

42" High brightness open frame LCD monitor



Features

- Flexible, low cost and high brightness
- For semi-outdoor kiosk, vending machine, signage application
- 42" 16:9 WUXGA TFT LCD display
- High brightness enhancement
- VESA mount (200x200, 400x200mm)
- Option with anti-reflective treatment



Specifications

LCD panel	Size	42"W (16:9)
	Backlight	LED
	Panel type	MVA
	Pixel pitch	0.4845 mm
	Active area	930.24x523.26 mm
	Brightness*	1000 cd/m2 (max.)
	Contrast	4000 : 1 (typical)
	Viewing angle	176/176 degree
	Resolution	1920 x 1080
	Display color	16.7M (8 bit)
	Response time	Gray-gray=6.5 mS
Video	Hor. frequency	30 ~ 86 KHz
	Ver. frequency	60/70 Hz
	Pixel rate	165 MHz

Signal input	VGA, DVI-I	
OSD adjustment	Power, Enter, Left, Right, Auto	
Power	AC inlet	IEC320-1
	AC input	100-240Vac/2A
	Consumption	160W
	Management	VESA DPMS
Mounting	200x200, 400x200mm VESA mount	
Dimension	961 (W) x 554 (H) x 112.9 (D) mm	
Net weight		
Package	Packing	1 pcs / carton
	Carton size	
	Container loading	
Temperature	Operation	0 ~ 50 degree C
	Storage	-30 ~ 70 degree C

* Higher brightness is on demand.

Ordering information

Model selection

HB-420-XYZ	X: Panel selection	Y: Input selection	Z: Touch selection
	0: Standard, chosen	0: Standard, VGA/DVI	0: Standard, none
	A: Specified LCD	V: VGA only	G: Glass
	B: Specified LCD	H: VGA/DVI/HDMI	I: IR
	...etc. Specified LCD	P: DVI/HDMI/DP	S: SAW
		S: VGA/DVI/S-video	P: Projective capacitive

Optional accessories

- * Power cord 1.8M power cord, US / EU
- * Signal cable 1.8M VGA cable, 1.8M DVI cable

Архангельск (8182)63-90-72
 Астана +7(7172)727-132
 Белгород (4722)40-23-64
 Брянск (4832)59-03-52
 Владивосток (423)249-28-31
 Волгоград (844)278-03-48
 Вологда (8172)26-41-59
 Воронеж (473)204-51-73
 Екатеринбург (343)384-55-89
 Иваново (4932)77-34-06
 Ижевск (3412)26-03-58
 Казань (843)206-01-48

Калининград (4012)72-03-81
 Калуга (4842)92-23-67
 Кемерово (3842)65-04-62
 Киров (8332)68-02-04
 Краснодар (861)203-40-90
 Красноярск (391)204-63-61
 Курск (4712)77-13-04
 Липецк (4742)52-20-81
 Магнитогорск (3519)55-03-13
 Москва (495)268-04-70
 Мурманск (8152)59-64-93
 Набережные Челны (8552)20-53-41

Нижний Новгород (831)429-08-12
 Новокузнецк (3843)20-46-81
 Новосибирск (383)227-86-73
 Орел (4862)44-53-42
 Оренбург (3532)37-68-04
 Пенза (8412)22-31-16
 Пермь (342)205-81-47
 Ростов-на-Дону (863)308-18-15
 Рязань (4912)46-61-64
 Самара (846)206-03-16
 Санкт-Петербург (812)309-46-40
 Саратов (845)249-38-78

Смоленск (4812)29-41-54
 Сочи (862)225-72-31
 Ставрополь (8652)20-65-13
 Тверь (4822)63-31-35
 Томск (3822)98-41-53
 Тула (4872)74-02-29
 Тюмень (3452)66-21-18
 Ульяновск (8422)24-23-59
 Уфа (347)229-48-12
 Челябинск (351)202-03-61
 Череповец (8202)49-02-64
 Ярославль (4852)69-52-93