

LD-550

55" Industrial Open Frame LCD Monitor



Features

- Flexible, low cost and high performance
- For kiosk, gaming, amusement, digital signage application
- 54.6" 16:9 WUXGA TFT LCD display
- Premium MVA with wide-view angle
- VESA mount



Specifications

LCD panel	Size	54.6" (16:9)
	Backlight / life	LED (60,000 hrs)
	Panel type	Premium MVA
	Pixel pitch	0.21 x 0.63 mm
	Active area	1209.6x680.4 mm
	Brightness	450 cd/m ² (typ)
	Contrast	4000 : 1
	Viewing angle	178 / 178 degree
	Resolution	1920 x 1080
	Display color	16.7M (8 bit)
	Response time	6.5 mS (gray-gray)
Video	Hor. frequency	30 ~ 86 KHz
	Ver. frequency	60/70/75 Hz
	Pixel rate	165 MHz

Signal input	VGA, DVI-I	
OSD adjustment	Power, Enter, Left, Right, Auto	
Power	AC input	100~240Vac, 2A
	Inrush current	35A (cold start)
	Consumption	160W
	Management	VESA DPMS
Mounting	400x300mm M6 screw	
Dimension	1239.2mm(L)x710mm(H)x76.5mm(T)	
Weight	G.W	38 Kg
	N.W	35 Kg
Package	Packing	1 pcs / carton
	Carton size	
	Container loading	
Temperature	Operation *	0 ~ 50 degree C
	Storage	-30 ~ 70 degree C

* Temperature of LCD surfac

Ordering information

Model selection

LD-550-XYZ	X:	Panel selection	Y:	Input selection	Z:	Touch selection
	0:	Standard, chosen	0:	Standard, VGA/DVI	0:	Standard, none
	A:	Specified LCD	V:	VGA only	G:	Glass
	B:	Specified LCD	H:	VGA/DVI/HDMI	P:	Projective capacitive
	...etc.	Specified LCD	P:	DVI/HDMI/DP	I:	IR
		S:	VGA/DVI/S-video	S:	SAW	

Optional accessories

- * Power cor 1.8M power cord, US / EU
- * S gnal cable 1.8M VGA cable, 1.8M DVI cable

Архангельск (8182)63-90-72
Астана +7(7172)727-132
Белгород (4722)40-23-64
Брянск (4832)59-03-52
Владивосток (423)249-28-31
Волгоград (844)278-03-48
Вологда (8172)26-41-59
Воронеж (473)204-51-73
Екатеринбург (343)384-55-89
Иваново (4932)77-34-06
Ижевск (3412)26-03-58
Казань (843)206-01-48

Калининград (4012)72-03-81
Калуга (4842)92-23-67
Кемерово (3842)65-04-62
Киров (8332)68-02-04
Краснодар (861)203-40-90
Красноярск (391)204-63-61
Курск (4712)77-13-04
Липецк (4742)52-20-81
Магнитогорск (3519)55-03-13
Москва (495)268-04-70
Мурманск (8152)59-64-93
Набережные Челны (8552)20-53-41

Нижний Новгород (831)429-08-12
Новокузнецк (3843)20-46-81
Новосибирск (383)227-86-73
Орел (4862)44-53-42
Оренбург (3532)37-68-04
Пенза (8412)22-31-16
Пермь (342)205-81-47
Ростов-на-Дону (863)308-18-15
Рязань (4912)46-61-64
Самара (846)206-03-16
Санкт-Петербург (812)309-46-40
Саратов (845)249-38-78

Смоленск (4812)29-41-54
Сочи (862)225-72-31
Ставрополь (8652)20-65-13
Тверь (4822)63-31-35
Томск (3822)98-41-53
Тула (4872)74-02-29
Тюмень (3452)66-21-18
Ульяновск (8422)24-23-59
Уфа (347)229-48-12
Челябинск (351)202-03-61
Череповец (8202)49-02-64
Ярославль (4852)69-52-93

LD-057

5.7" Industrial Open Frame LCD Monitor

Features

- Flexible, low cost and high performance
- For industrial, kiosk, information application
- 5.7" VGA TFT LCD display
- VESA mount

Specifications

LCD panel	Size	5.7" (4:3)	
	Backlight	LED	
	Panel type	TN	
	Pixel pitch	0.18x0.18 mm	
	Active area	115.2x86.4 mm	
	Brightness	500 cd/m2 *	
	Contrast	250 : 1	
	Viewing angle	140 / 100 degree	
	Resolution	640 x 480	
	Display color	262K (6 bit)	
	Response time	Tr/Tf=50 mS	
	Video	Hor. frequency	30 ~ 38 KHz
		Ver. frequency	60/70 Hz
Pixel rate		40 MHz	

* 1000 cd/m2 is on demand.



Signal input	15 pin D-sub connector for VGA	
OSD adjustment	Power, Enter, Left, Right, Auto	
Power	DC connector	2.5mm diameter
	DC input	12 Vdc / 0.5A
	Consumption	6W
	Management	VESA DPMS
Mounting	75x75mm VESA mount	
Dimension	184 (W) x 119 (H) x 41.5 (D) mm	
Net weight		
Package	Packing	24 pcs / carton
	20' container	
	40' container	
Temperature	Operation	-20 ~ 70 degree C
	Storage	-30 ~ 80 degree C

Ordering information

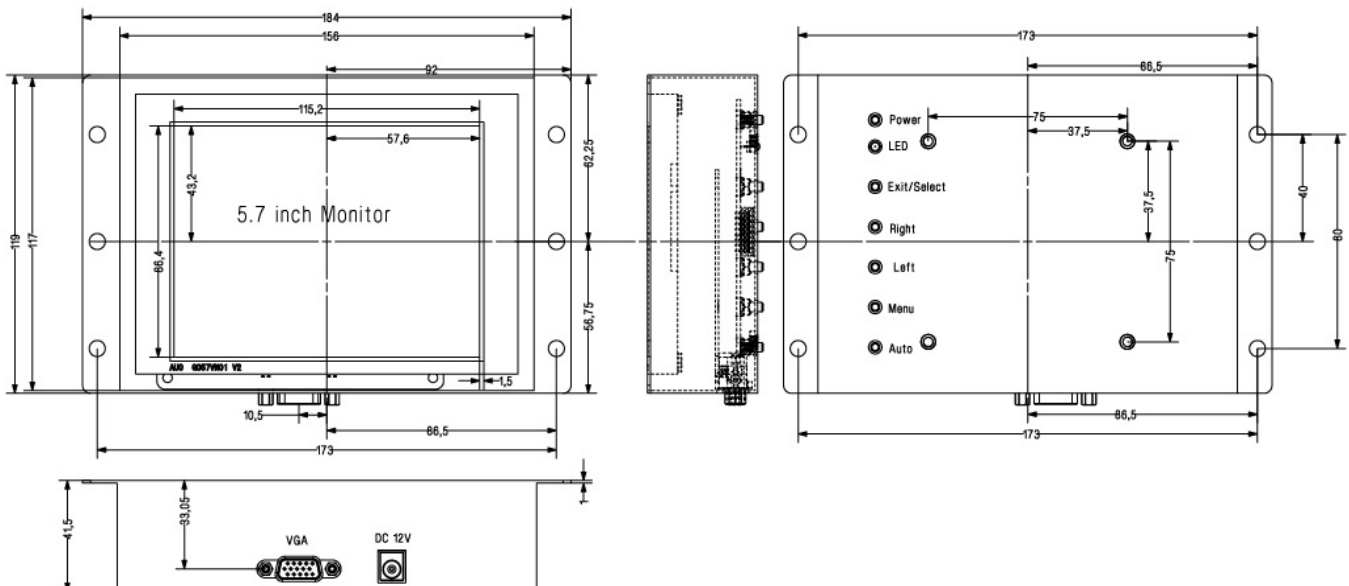
■ Model selection

LD-057-XYZ	X: Panel selection	Y: Input selection	Z: Touch selection
	0: Standard, chosen	0: Standard, VGA/DVI	0: Standard, none
	A: Specified LCD	V: VGA only	G: Glass
	B: Specified LCD	H: VGA/DVI/HDMI	R: Resitive
	...etc. Specified LCD	P: DVI/HDMI/DP	C: Surface capacitive
		S: VGA/DVI/S-video	P: Projective capacitive
			I : IR
			S: SAW

■ Optional accessories

- * Power adapter 100 ~ 240 Vac adapter with 12Vdc / 1A o/p
- * Power cord 1.8M power cord, US / EU
- * Signal cable 1.8M VGA cable

Product drawing (referenced only, to be renewed)



* All specification and photos are subject to change without notice.

LD-065

6.5" Industrial Open Frame LCD Monitor

Features

- Flexible, low cost and high performance
- For industrial, kiosk, information application
- 6.5" VGA TFT LCD display
- VESA mount

Specifications

LCD panel	Size	6.5" (4:3)
	Backlight	LED
	Panel type	TN
	Pixel pitch	0.207x0.207 mm
	Active area	132.48x99.36 mm
	Brightness*	800 cd/m2 *
	Contrast	600 : 1
	Viewing angle	160 / 140 degree
	Resolution	640 x 480
	Display color	262K/16.2M (6/8 bit)
	Response time	Tr/Tf=25 mS
	Video	Hor. frequency
Ver. frequency		60/70 Hz
Pixel rate		40 MHz

* Different brightness is per customer's request

Signal input	15 pin D-sub connector for VGA	
OSD adjustment	Power, Enter, Left, Right, Auto	
Power	DC connector	2.5mm diameter
	DC input	12 Vdc / 0.5A
	Consumption	6W
	Management	VESA DPMS
Mounting	75x75mm VESA mount	
Dimension	162 (W) x 128 (H) x 34 (D) mm	
Net weight		
Package	Packing	
	20' container	
	40' container	
Temperature	Operation**	-30 ~ 80 degree C
	Storage	-30 ~ 80 degree C

** Temperature of LCD surface

** Different temperature range is on demand.

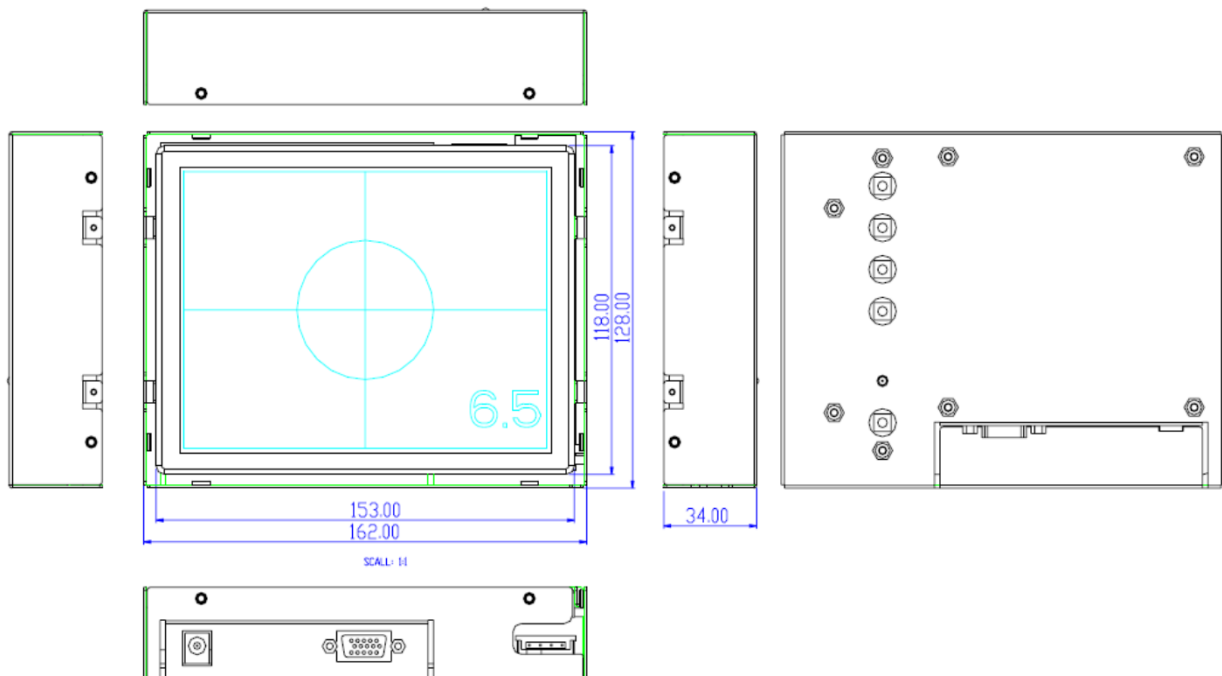
Ordering information

LD-065-XYZ	X: Panel selection	Y: Input selection	Z: Touch selection
0:	Standard, chosen	0: Standard, VGA/DVI	0: Standard, none
A:	Specified LCD	V: VGA only	G: Glass
B:	Specified LCD	H: VGA/DVI/HDMI	R: Resistive
...etc.	Specified LCD	P: DVI/HDMI/DP	C: Surface capacitive
		S: VGA/DVI/S-video	P: Projective capacitive
			I: IR
			S: SAW

Optional accessories

- * Power adapter 100 ~ 240 Vac adapter with 12Vdc / 3A o/p
- * Power cord 1.8M power cord, US / EU
- * Signal cable 1.8M VGA cable, 1.8M DVI cable

Product drawing (referenced only, to be renewed)



* All specification and photos are subject to change without notice.

LD-070

7" Industrial Open Frame LCD Monitor

Features

- Flexible, low cost and high performance
- For industrial, kiosk, ticketing, vending application
- 7" WSVGA TFT LCD display

Specifications

LCD panel	Size	7" (16:9.375)	
	Backlight	LED (50K hrs)	
	Panel type	TN	
	Pixel pitch	0.15x0.15 mm	
	Active area	153.6x90 mm	
	Brightness *	500 cd/m2 max.	
	Contrast	800 : 1	
	Viewing angle	160 / 160 degree	
	Resolution	1024 x 600	
	Display color	16.7M (8 bit)	
	Response time	Tr/Tf=20/10 mS	
	Video	Hor. frequency	30 ~ 50 KHz
		Ver. frequency	60/70 Hz
Pixel rate		65 MHz	

* Different brightness is per customer's request

Signal input	15 pin D-sub connector for VGA	
OSD adjustment	Power, Enter, Left, Right, Auto	
Power	DC connector	2.5mm diameter
	DC input	12 Vdc / 0.6A
	Consumption	7W
	Management	VESA DPMS
Mounting		
Dimension	186.7 (W) x 108 (H) x 34.3 (D) mm	
Net weight		
Package	Packing	24 pcs / carton
	20' container	
	40' container	
Temperature	Operation **	-30 ~ 80 degree C
	Storage	-30 ~ 80 degree C

** Temperature of LCD surface

** Different temperature range is on demand.

Ordering information

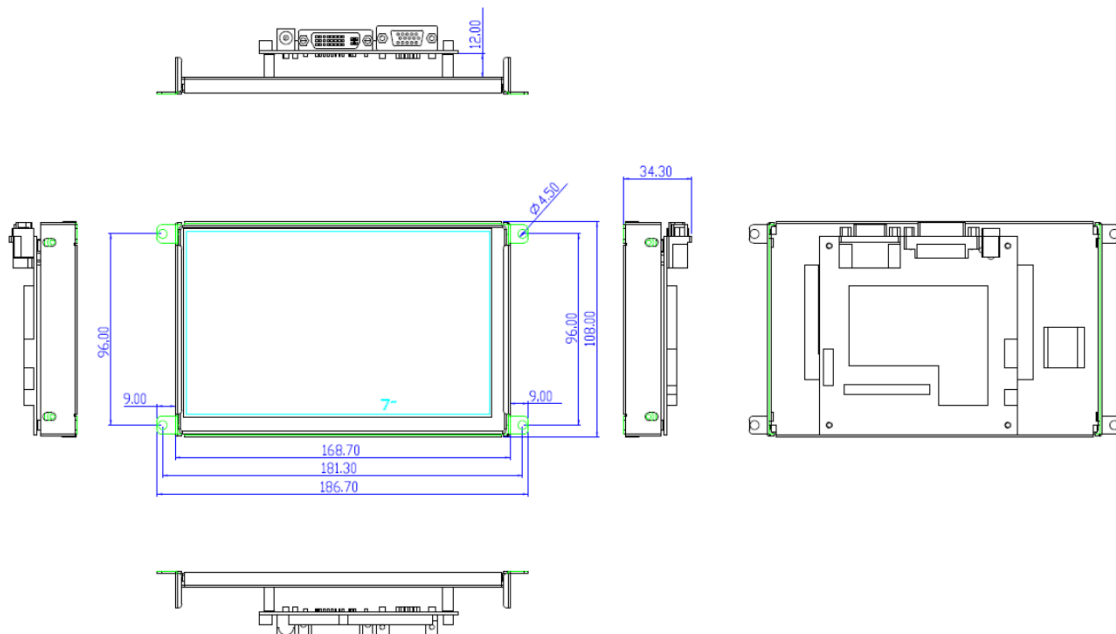
■ Model selection

LD-070-XYZ	X: Panel selection	Y: Input selection	Z: Touch selection
0:	Standard, chosen	0: Standard, VGA/DVI	0: Standard, none
A:	Specified LCD	V: VGA only	G: Glass
B:	Specified LCD	H: VGA/DVI/HDMI	R: Resistive
...etc.	Specified LCD	P: DVI/HDMI/DP	C: Surface capacitive
		S: VGA/DVI/S-video	P: Projective capacitive
			I: IR
			S: SAW

■ Optional accessories

- * Power adapter 100 ~ 240 Vac adapter with 12Vdc / 3A o/p
- * Power cord 1.8M power cord, US / EU
- * Signal cable 1.8M VGA cable, 1.8M DVI cable

Product drawing



* All specification and photos are subject to change without notice.

LD-084

8.4" Industrial Open Frame LCD Monitor

Features

- Flexible, low cost and high performance
- For industrial, kiosk, gaming, digital signage application
- 8.4" SVGA TFT LCD display
- VESA mount



Specifications

LCD panel	Size	8.4" (4:3)
	Backlight	LED (50K hours)
	Panel type	TN
	Pixel pitch	0.213x0.213 mm
	Active area	170.4x127.8 mm
	Brightness*	450 cd/m2 max.
	Contrast	600 : 1
	Viewing angle	80/80/80/80 degree
	Resolution	800 x 600
	Display color	262K/16.2M (6/8 bit)
Video	Response time	Tr/Tf=20/10 mS
	Hor. frequency	30 ~ 48 KHz
	Ver. frequency	60/70 Hz
	Pixel rate	50 MHz

* Different brightness is per customer's request

Signal input	D-sub 15P VGA, 24+5P DVI	
OSD adjustment	Power, Enter, Left, Right, Auto	
Power	DC connector	2.5mm diameter
	DC input	12 Vdc / 0.7A
	Consumption	8W
	Management	VESA DPMS
Mounting	75x75, VESA mount	
Dimension	220 (W) x 147.5 (H) x 40.2 (D) mm	
Net weight		
Package	Packing	5 pcs / carton
	20' container	
	40' container	
Temperature	Operation**	-30 ~ 80 degree C
	Storage	-30 ~ 80 degree C

** Temperature of LCD surface

** Different temperature range is on demand.

Ordering information

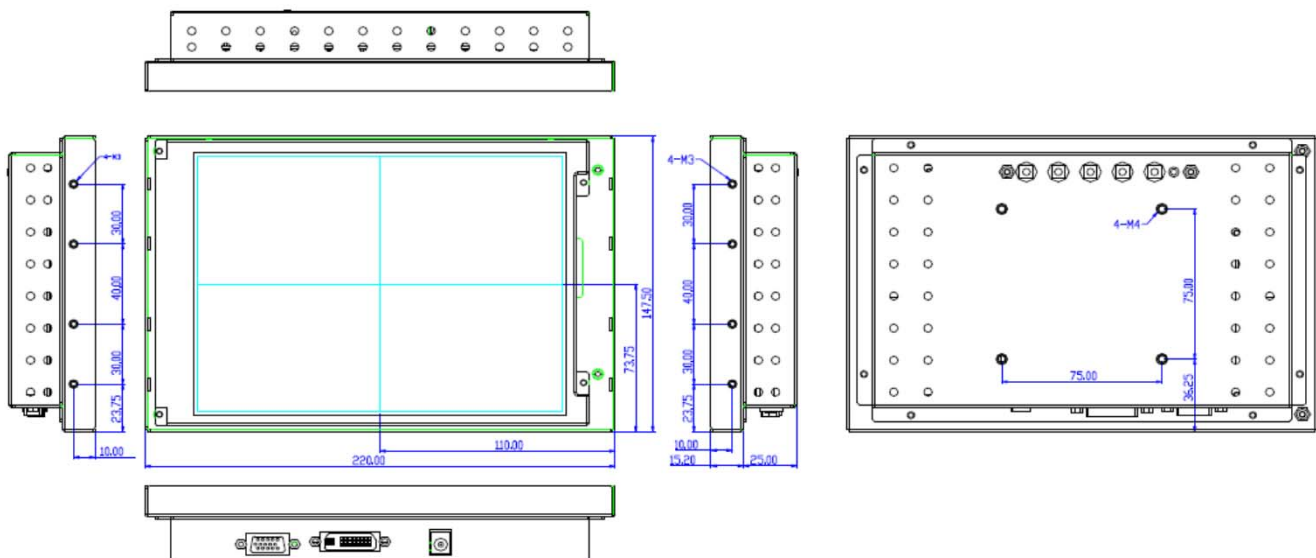
■ Model selection

LD-084-XYZ	X: Panel selection	Y: Input selection	Z: Touch selection
	0: Standard, chosen	0: Standard, VGA/DVI	0: Standard, none
	A: Specified LCD	V: VGA only	G: Glass
	B: Specified LCD	H: VGA/DVI/HDMI	R: Resistive
	...etc. Specified LCD	P: DVI/HDMI/DP	C: Surface capacitive
		S: VGA/DVI/S-video	P: Projective capacitive
			I: IR
			S: SAW

■ Optional accessories

- * Power adapter 100 ~ 240 Vac adapter with 12Vdc / 3A o/p
- * Power cord 1.8M power cord, US / EU
- * Signal cable 1.8M VGA cable, 1.8M DVI cable

Product drawing



* All specification and photos are subject to change without notice.

LD-101

10.1" Industrial Open Frame LCD Monitor



Features

- Flexible, low cost and high performance
- For industrial, kiosk, gaming, digital signage application
- 10.1" WXGA TFT LCD display
- VESA mount



Specifications

LCD panel *	Size	10.1" (16:9)
	Backlight	LED (15K hr min)
	Panel type	IPS
	Pixel pitch	0.1695x0.1695 mm
	Active area	216.96x135.6 mm
	Brightness *	350 nits (max.)
	Contrast	800 : 1
	Viewing angle	85/85/85/85 degree
	Resolution	1280 x 800
	Display color	16.7M (8 bit)
Video	Response time	Tr/Tf=11/5 mS
	Hor. frequency	30 ~ 56 KHz
	Ver. frequency	60/70 Hz
	Pixel rate	75 MHz

Signal input	VGA, DVI-I	
OSD adjustment	Power, Enter, Left, Right, Auto	
Power	DC connector	2.5mm diameter
	DC input	12 Vdc / 1A
	Consumption	12W
	Management	VESA DPMS
Mounting	75x75mm VESA mount	
Dimension	265 (W) x 145.5 (H) x 39 (D) mm	
Net weight		
Package	Packing	
	Carton size	
	Container loading	
Temperature	Operation **	-20 ~ 70 degree C
	Storage	-30 ~ 80 degree C

* Different brightness is per customer's request

** Temperature of LCD surface

** Different temperature range is on demand.

Ordering information

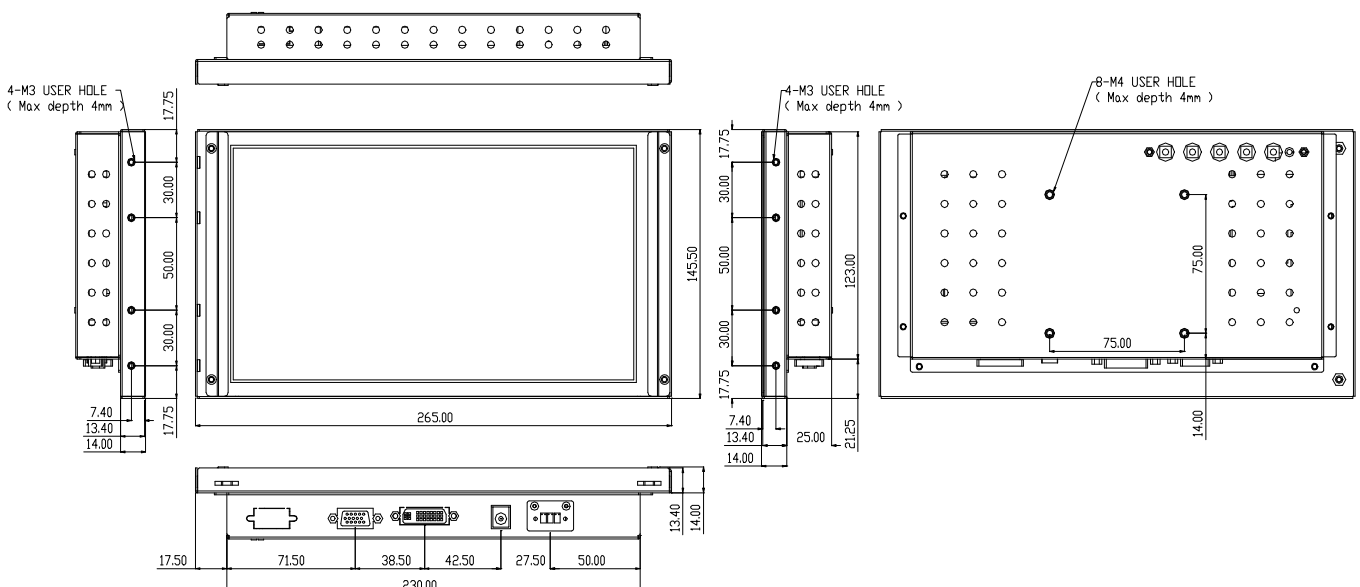
Model selection

LD-101-XYZ	X: Panel selection	Y: Input selection	Z: Touch selection
0:	Standard, chosen	0: Standard, VGA/DVI	0: Standard, none
A:	Specified LCD	V: VGA only	G: Glass
B:	Specified LCD	H: VGA/DVI/HDMI	R: Resitive
...etc.	Specified LCD	P: DVI/HDMI/DP	C: Surface capacitive
		S: VGA/DVI/S-video	P: Projective capacitive
			I: IR
			S: SAW

Optional accessories

- * Power adapter 100 ~ 240 Vac adapter with 12Vdc / 3A o/p
- * Power cord 1.8M power cord, US / EU
- * Signal cable 1.8M VGA cable, 1.8M DVI cable

Product drawing



* All specification and photos are subject to change without notice.

LD-121

12.1" Industrial Open Frame LCD Monitor



Axiomtek Display Solutions

Features

- Flexible, low cost and high performance
- For industrial, kiosk, gaming, digital signage application
- 12.1" SVGA TFT LCD display
- VESA mount



Specifications

LCD panel	Size	12.1" (4:3)
	Backlight	LED
	Panel type	TN
	Pixel pitch	0.3075x0.3075 mm
	Active area	246x184.5 mm
	Brightness*	300 cd/m2 max.
	Contrast	600 : 1
	Viewing angle	80/80/65/75 degree
	Resolution	800 x 600
	Display color	262K/16.2M (6/8 bit)
	Response time	Tr/Tf=25/10 mS
Video	Hor. frequency	30 ~ 48 KHz
	Ver. frequency	60/70 Hz
	Pixel rate	50 MHz

Signal input	15 pin D-sub connector for VGA	
OSD adjustment	Power, Enter, Left, Right, Auto	
Power	DC connector	2.5mm diameter
	DC input	12 Vdc / 0.8A
	Consumption	10W
	Management	VESA DPMS
Mounting	75x75, 100x100mm VESA mount	
Dimension	285 (W) x 223 (H) x 41 (D) mm	
Net weight		
Package	Packing	5 pcs / carton
	20' container	
	40' container	
Temperature	Operation**	-30 ~ 80 degree C
	Storage	-30 ~ 80 degree C

* Different brightness is per customer's request

** Temperature of LCD surface

** Different temperature range is on demand.

Ordering information

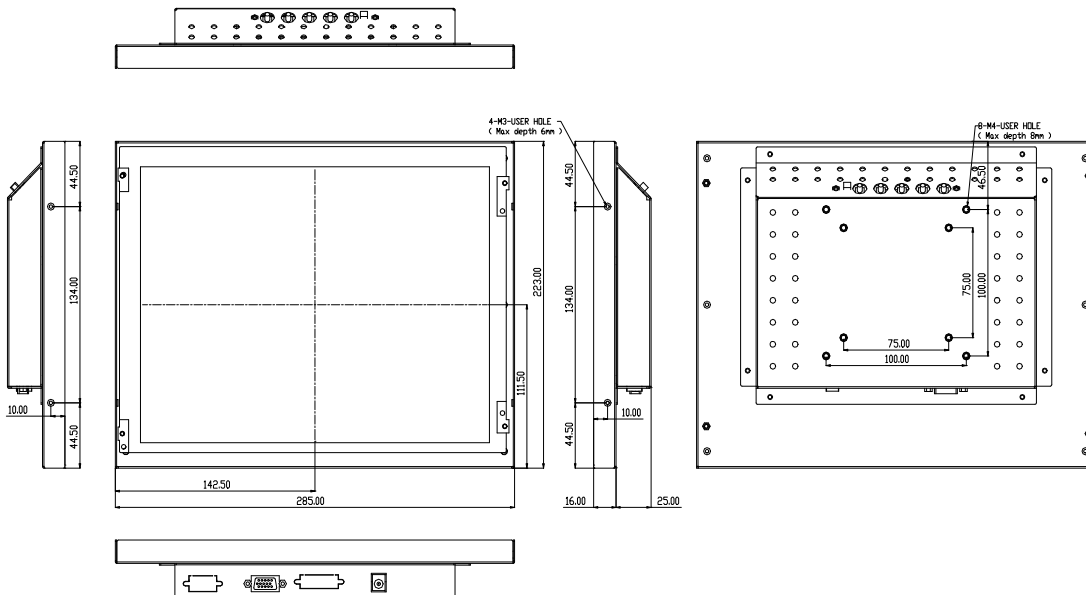
Model selection

LD-121-XYZ	X: Panel selection	Y: Input selection	Z: Touch selection
	0: Standard, chosen	0: Standard, VGA/DVI	0: Standard, none
	A: Specified LCD	V: VGA only	G: Glass
	B: Specified LCD	H: VGA/DVI/HDMI	R: Resistive
	...etc. Specified LCD	P: DVI/HDMI/DP	C: Surface capacitive
		S: VGA/DVI/S-video	P: Projective capacitive
			I: IR
			S: SAW

Optional accessories

- * Power adapter 100 ~ 240 Vac adapter with 12Vdc / 3A o/p
- * Power cord 1.8M power cord, US / EU
- * Signal cable 1.8M VGA cable, 1.8M DVI cable

Product drawing



* All specification and photos are subject to change without notice.

LD-150

15" Industrial Open Frame LCD Monitor

Features

- Flexible, low cost and high performance
- For industrial, kiosk, gaming, digital signage application
- 15" XGA TFT LCD display
- VESA mount



Specifications

LCD panel	Size	15" (4:3)
	Backlight	LED (30K hours)
	Panel type	TN
	Pixel pitch	0.297x0.297 mm
	Active area	304.13x228.1 mm
	Brightness*	400 cd/m2 max.
	Contrast	800 : 1
	Viewing angle	80/80/80/80 degree
	Resolution	1024 x 768
	Display color	16.2M (8 bit)
Video	Response time	Tr/Tf=5/11 mS
	Hor. frequency	30 ~ 57 KHz
	Ver. frequency	60/70 Hz
	Pixel rate	75 MHz

Signal input	D-sub 15P VGA, 24+5P DVI	
OSD adjustment	Power, Enter, Left, Right, Auto	
Power	DC connector	2.5mm diameter
	DC input	12 Vdc / 1.3A
	Consumption	15W
Management	VESA DPMS	
Mounting	75x75, 100x100mm VESA mount	
Dimension	335 (W) x 256.5 (H) x 45 (D) mm	
Net weight	3.1 kg	
Package	Packing	3 pcs / carton
	Carton size	420x280x415mm
	Container loading	960/20', 2,112/40'
Temperature	Operation**	-20 ~ 70 degree C
	Storage	-30 ~ 80 degree C

* Different brightness is per customer's request

** Temperature of LCD surface

** Wider temperature -30 ~ 85 degree C is on demand.

Ordering information

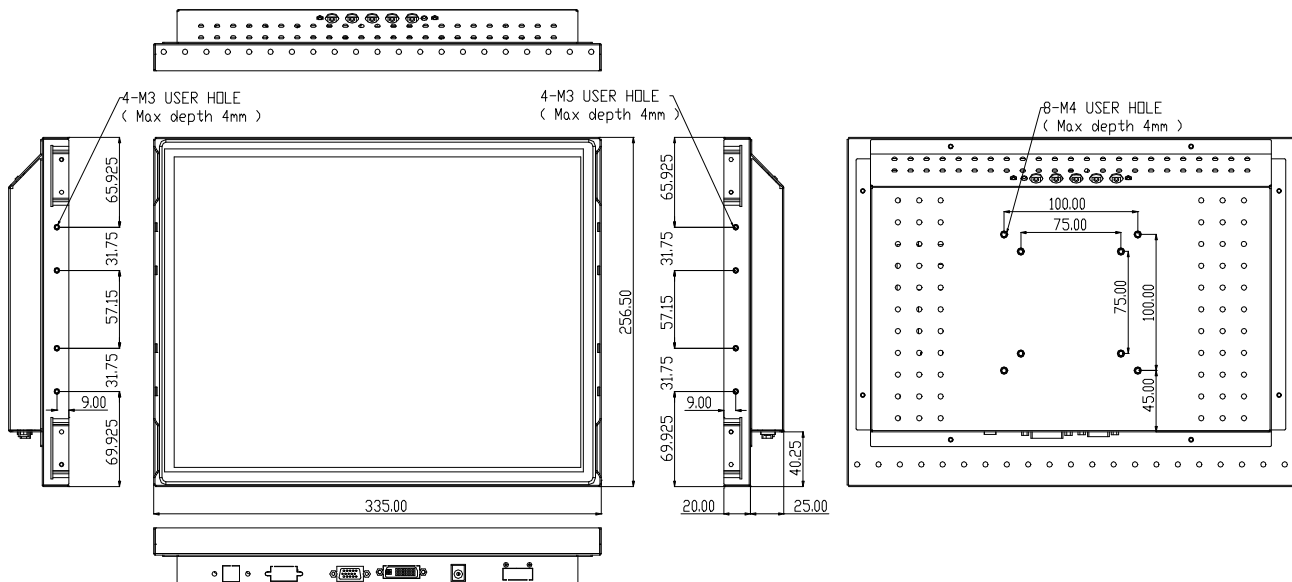
Model selection

LD-150-XYZ	X:	Panel selection	Y:	Input selection	Z:	Touch selection
	0:	Standard, chosen	0:	Standard, VGA/DVI	0:	Standard, none
	A:	Specified LCD	V:	VGA only	G:	Glass
	B:	Specified LCD	H:	VGA/DVI/HDMI	R:	Resistive
	...etc.	Specified LCD	P:	DVI/HDMI/DP	C:	Surface capacitive
			S:	VGA/DVI/S-video	P:	Projective capacitive
					I:	IR
					S:	SAW

Optional accessories

- * Power adapter 100 ~ 240 Vac adapter with 12Vdc / 3A o/p
- * Power cord 1.8M power cord, US / EU
- * Signal cable 1.8M VGA cable, 1.8M DVI cable

Product drawing



* All specification and photos are subject to change without notice.

LD-170

17" Industrial Open Frame LCD Monitor

Features

- Flexible, high brightness and high performance
- For industrial, kiosk, gaming, digital signage application
- 17" SXGA TFT LCD display
- VESA mount



Specifications

LCD panel *	Size	17" (5:4)
	Backlight	LED (30K hours)
	Panel type	TN
	Pixel pitch	0.264x0.264 mm
	Active area	337.92x270.34 mm
	Brightness *	350 cd/m2
	Contrast	1000 : 1
	Viewing angle	85/85/80/80 degree
	Resolution	1280 x 1024
	Display color	16.7M (8 bit)
	Response time	Tr/Tf=3.5/1.5 mS
Video	Hor. frequency	30 ~ 80 KHz
	Ver. frequency	60/70/75 Hz
	Pixel rate	135 MHz

* Different brightness is per customer's request

Signal input	D-sub 15P VGA, 24+5P DVI	
OSD adjustment	Power, Enter, Left, Right, Auto	
Power	DC connector	2.5mm diameter
	DC input	12 Vdc / 1.5A
	Consumption	18W
Management	VESA DPMS	
Mounting	75x75, 100x100mm VESA mount	
Dimension	367 (W) x 299.5 (H) x 50 (D) mm	
Net weight	4.3 kg	
Package	Packing	3 pcs / carton
	Carton size	450x295x457mm
	Container loading	960/20', 2,112/40'
Temperature	Operation **	0 ~ 50 degree C
	Storage	-30 ~ 80 degree C

** Temperature of LCD surface

** Wider temperature -30 ~ 85 degree C is on demand.

Ordering information

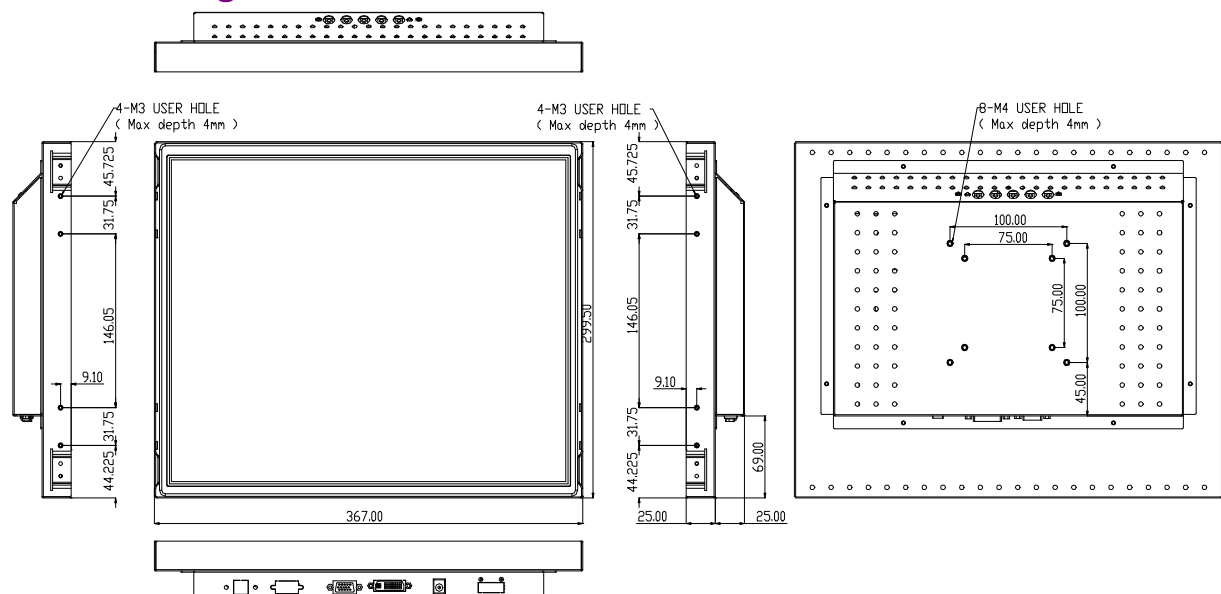
Model selection

LD-170-XYZ	X: Panel selection	Y: Input selection	Z: Touch selection
	0: Standard, chosen	0: Standard, VGA/DVI	0: Standard, none
	A: Specified LCD	V: VGA only	G: Glass
	B: Specified LCD	H: VGA/DVI/HDMI	R: Resistive
	...etc. Specified LCD	P: DVI/HDMI/DP	C: Surface capacitive
		S: VGA/DVI/S-video	P: Projective capacitive
			I: IR
			S: SAW

Optional accessories

- * Power adapter 100 ~ 240 Vac adapter with 12Vdc / 3A o/p
- * Power cord 1.8M power cord, US / EU
- * Signal cable 1.8M VGA cable, 1.8M DVI cable

Product drawing



* All specification and photos are subject to change without notice.

LD-185

18.5" Industrial Open Frame LCD Monitor



Features

- Flexible, low cost and high performance
- For industrial, kiosk, gaming, digital signage application
- 18.5" WXGA TFT LCD display
- VESA mount



Specifications

LCD panel	Size	18.5" (16:9)
	Backlight	LED
	Panel type	TN
	Pixel pitch	0.300x0.300 mm
	Active area	409.8.2x230.4 mm
	Brightness*	300 cd/m2
	Contrast	1000 : 1
	Viewing angle	170/160 degree
	Resolution	1366 x 768
	Display color	16.7M (6 bit+HiFRC)
	Response time	Tr/Tf=3.5/1.5 mS
	Video	Hor. frequency
Ver. frequency		60/70 Hz
Pixel rate		75 MHz

Signal input	VGA, DVI-I	
OSD adjustment	Power, Enter, Left, Right, Auto	
Power	DC connector	2.5mm diameter
	DC input	12 Vdc / 2.5A
	Consumption	30W
	Management	VESA DPMS
Mounting	75x75, 100x100mm VESA mount	
Dimension	438.9 (W) x 257.6 (H) x 50 (D) mm	
Net weight		
Package	Packing	3 pcs / carton
	Carton size	
	Container loading	
Temperature	Operation**	0 ~ 60 degree C
	Storage	-30 ~ 70 degree C

* Different brightness is per customer's request

** Temperature of LCD surface

** Different temperature range is on demand.

Ordering information

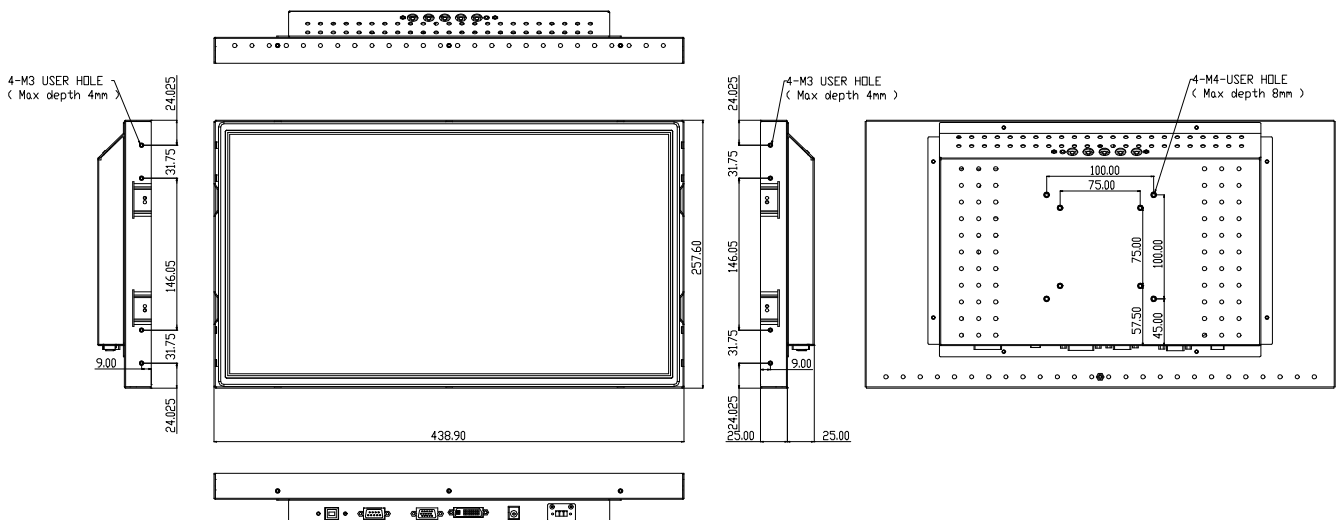
Model selection

LD-185-XYZ	X:	Panel selection	Y:	Input selection	Z:	Touch selection
	0:	Standard, chosen	0:	Standard, VGA/DVI	0:	Standard, none
	A:	Specified LCD	V:	VGA only	G:	Glass
	B:	Specified LCD	H:	VGA/DVI/HDMI	R:	Resistive
	...etc.	Specified LCD	P:	DVI/HDMI/DP	C:	Surface capacitive
			S:	VGA/DVI/S-video	P:	Projective capacitive
					I:	IR
					S:	SAW

Optional accessories

- * Power adapter 100 ~ 240 Vac adapter with 12Vdc / 3A o/p
- * Power cord 1.8M power cord, US / EU
- * Signal cable 1.8M VGA cable, 1.8M DVI cable

Product drawing



* All specification and photos are subject to change without notice.

LD-190

19" Industrial Open Frame LCD Monitor



Features

- Flexible, low cost and high performance
- For industrial, kiosk, gaming, digital signage application
- 19" SXGA TFT LCD display
- VESA mount



Specifications

LCD panel	Size	19" (5:4)
	Backlight	LED (50Khrs)
	Panel type	TN
	Pixel pitch	0.294x0.294 mm
	Active area	376.32x301.06 mm
	Brightness * (typ)	350 cd/m2 (center)
	Contrast	1000 : 1
	Viewing angle	85/85/80/80 degree
	Resolution	1280 x 1024
	Display color	16.7M (6 bit+HiFRC)
	Response time	Tr/Tf=3.6/1.4 mS
Video	Hor. frequency	30 ~ 80 KHz
	Ver. frequency	60/70/75 Hz
	Pixel rate	135 MHz

* Different brightness is per customer's request

Signal input	D-sub 15P VGA, 24+5P DVI	
OSD adjustment	Power, Enter, Left, Right, Auto	
Power	DC connector	2.5mm diameter
	DC input	12 Vdc / 2.2A
	Consumption	26W
Management	VESA DPMS	
Mounting	75x75, 100x100mm VESA mount	
Dimension	404.5 (W) x 327 (H) x 50 (D) mm	
Net weight	4.95 kg	
Package	Packing	3 pcs / carton
	Carton size	488x295x485mm
	Container loading	960/20', 2,112/40'
Temperature	Operation **	0 ~ 50 degree C
	Storage	-30 ~ 80 degree C

** Temperature of LCD surface

** Wider temperature -30 ~ 85 degree C is on demand.

Ordering information

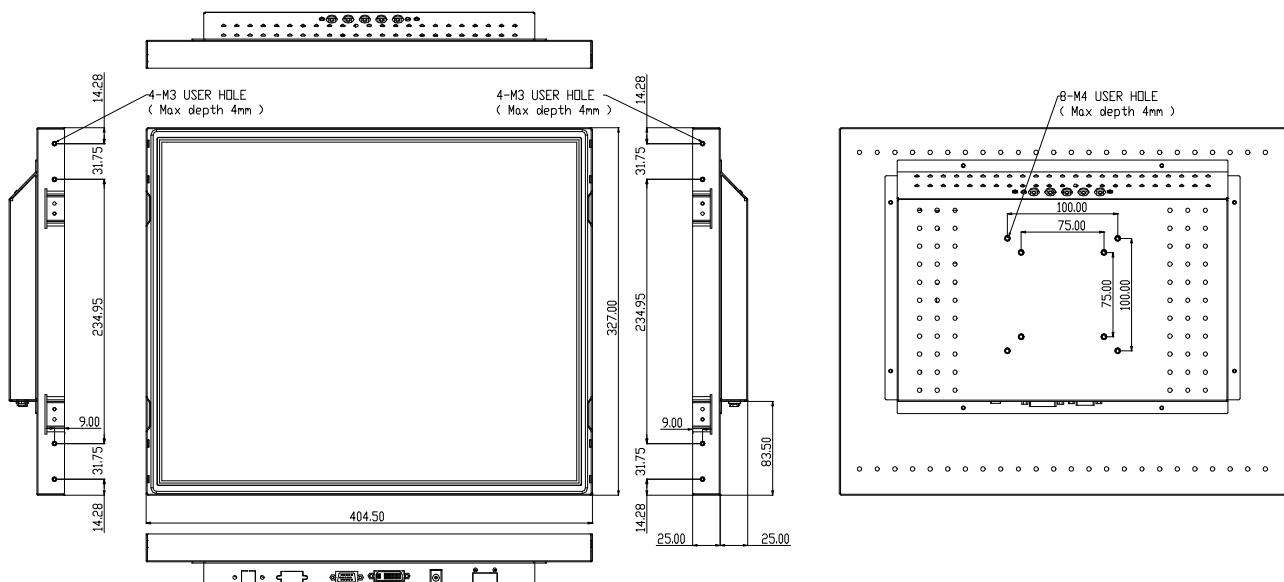
■ Model selection

LD-190-XYZ	X: Panel selection	Y: Input selection	Z: Touch selection
	0: Standard, chosen	0: Standard, VGA/DVI	0: Standard, none
	A: Specified LCD	V: VGA only	G: Glass
	B: Specified LCD	H: VGA/DVI/HDMI	R: Resistive
	...etc. Specified LCD	P: DVI/HDMI/DP	C: Surface capacitive
		S: VGA/DVI/S-video	P: Projective capacitive
			I: IR
			S: SAW

■ Optional accessories

- * Power adapter 100 ~ 240 Vac adapter with 12Vdc / 3A o/p
- * Power cord 1.8M power cord, US / EU
- * Signal cable 1.8M VGA cable, 1.8M DVI cable

Product drawing



* All specification and photos are subject to change without notice.

LD-215

21.5" Industrial Open Frame LCD Monitor

Features

- Flexible, low cost and high performance
- For industrial, kiosk, gaming, digital signage application
- 21.5" 16:9 WUXGA TFT LCD display with LED backlight
- VA with wide-view angle
- VESA mount



Specifications

LCD panel	Size	21.5"W (16:9)
	Backlight	LED
	Panel type	VA
	Pixel pitch	248.25x248.25 um
	Active area	476.64x268.11 mm
	Brightness*	250 cd/m2 (max.)
	Contrast	3000 : 1 (typical)
	Viewing angle	178/178 degree
	Resolution	1920 x 1080
	Display color	16.7M (8 bit)
	Response time	Tr+Tf=25 mS
Video	Hor. frequency	30 ~ 86 KHz
	Ver. frequency	60/70 Hz
	Pixel rate	165 MHz

* Different brightness is per customer's request

Signal input	VGA, DVI-I	
OSD adjustment	Power, Enter, Left, Right, Auto	
Power	DC connector	2.5mm diameter
	DC input	12 Vdc / 2.5A
	Consumption	30W
	Management	VESA DPMS
Mounting	75x75, 100x100mm VESA mount	
Dimension	504.2 (W) x 295.2 (H) x 50 (D) mm	
Net weight		
Package	Packing	3 pcs / carton
	Carton size	
	Container loading	
Temperature	Operation**	0 ~ 50 degree C
	Storage	-30 ~ 70 degree C

** Temperature of LCD surface

** Different temperature range is on demand.

Ordering information

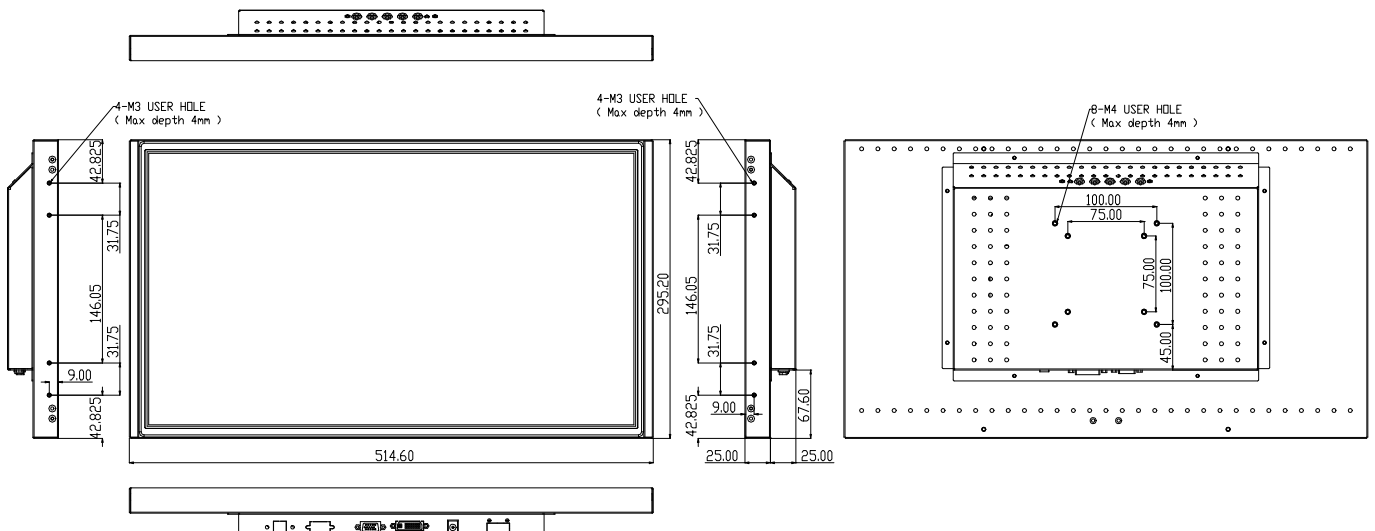
■ Model selection

LD-215-XYZ	X: Panel selection	Y: Input selection	Z: Touch selection
	0: Standard, chosen	0: Standard, VGA/DVI	0: Standard, none
	A: Specified LCD	V: VGA only	G: Glass
	B: Specified LCD	H: VGA/DVI/HDMI	R: Resitive
	...etc. Specified LCD	P: DVI/HDMI/DP	C: Surface capacitive
		S: VGA/DVI/S-video	P: Projective capacitive
			I: IR
			S: SAW

■ Optional accessories

- * Power adapter 100 ~ 240 Vac adapter with 12Vdc / 3A o/p
- * Power cord 1.8M power cord, US / EU
- * Signal cable 1.8M VGA cable, 1.8M DVI cable

Product drawing



* All specification and photos are subject to change without notice.

LD-240

24" Industrial Open Frame LCD Monitor

Features

- Flexible, low cost and high performance
- For industrial, kiosk, gaming, digital signage application
- 24" 16:9 WUXGA TFT LCD display
- VA with wide-view angle
- VESA mount



Specifications

LCD panel	Size	24" (16:9)
	Backlight	LED
	Panel type	VA
	Pixel pitch	0.277x0.277 mm
	Active area	531.36x298.89 mm
	Brightness	300 cd/m2
	Contrast	5000 : 1
	Viewing angle	178 / 178 degree
	Brightness*	1920 x 1080
	Display color	16.7M (8 bit)
Video	Response time	Tr+Tf=25 mS
	Hor. frequency	30 ~ 86 KHz
	Ver. frequency	60/70 Hz
	Pixel rate	165 MHz

* Different brightness is per customer's request

Signal input	VGA, DVI-I	
OSD adjustment	Power, Enter, Left, Right, Auto	
Power	DC connector	2.5mm diameter
	DC input	12 Vdc / 3A
	Consumption	36W
	Management	VESA DPMS
Mounting	75x75, 100x100mm VESA mount	
Dimension	564.4 (W) x 333.2 (H) x 50 (D) mm	
Net weight		
Package	Packing	3 pcs / carton
	Carton size	
	Container loading	
Temperature	Operation**	0 ~ 50 degree C
	Storage	-30 ~ 70 degree C

** Temperature of LCD surface

** Different temperature range is on demand.

Ordering information

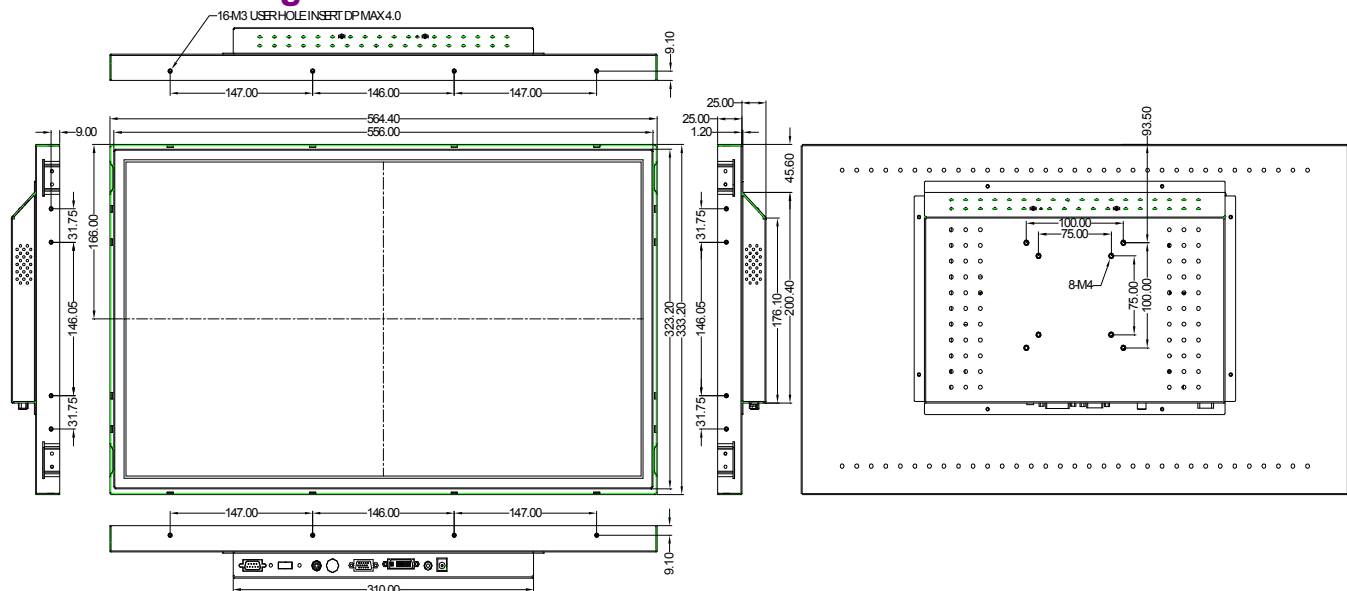
Model selection

LD-240-XYZ	X: Panel selection	Y: Input selection	Z: Touch selection
	0: Standard, chosen	0: Standard, VGA/DVI	0: Standard, none
	A: Specified LCD	V: VGA only	G: Glass
	B: Specified LCD	H: VGA/DVI/HDMI	R: Resistive
	...etc. Specified LCD	P: DVI/HDMI/DP	C: Surface capacitive
		S: VGA/DVI/S-video	P: Projective capacitive
			I: IR
			S: SAW

Optional accessories

- * Power adapter 100 ~ 240 Vac adapter with 12Vdc / 3A o/p
- * Power cord 1.8M power cord, US / EU
- * Signal cable 1.8M VGA cable, 1.8M DVI cable

Product drawing



* All specification and photos are subject to change without notice.

LD-270

27" Industrial Open Frame LCD Monitor

Features

- Flexible, low cost and high performance
- For industrial, kiosk, gaming, digital signage application
- 27" 16:9 WUXGA TFT LCD display
- VA with wide-view angle
- VESA mount



Specifications

LCD panel	Size	27" (16:9)
	Backlight	LED
	Panel type	VA
	Pixel pitch	0.31125 mm
	Active area	597.6x336.15 mm
	Brightness *	300 cd/m2
	Contrast	3000 : 1
	Viewing angle	178 / 178 degree
	Resolution	1920 x 1080
	Display color	16.7M (8 bit)
Video	Response time	Tr+Tf=12 mS
	Hor. frequency	30 ~ 86 KHz
	Ver. frequency	60/70 Hz
	Pixel rate	165 MHz

Signal input	VGA, DVI-I	
OSD adjustment	Power, Enter, Left, Right, Auto	
Power	DC connector	2.5mm diameter
	DC input	12 Vdc / 3A
	Consumption	36W
	Management	VESA DPMS
Mounting	100x100, 200x200mm VESA mount	
Dimension		
Net weight		
Package	Packing	
	Carton size	
	Container loading	
Temperature	Operation **	0 ~ 50 degree C
	Storage	-30 ~ 70 degree C

* Different brightness is per customer's request

** Temperature of LCD surface

** Different temperature range is on demand.

Ordering information

■ Model selection

LD-270-XYZ	X: Panel selection	Y: Input selection	Z: Touch selection
	0: Standard, chosen	0: Standard, VGA/DVI	0: Standard, none
	A: Specified LCD	V: VGA only	G: Glass
	B: Specified LCD	H: VGA/DVI/HDMI	P: Projective capacitive
	...etc. Specified LCD	P: DVI/HDMI/DP	I: IR
		S: VGA/DVI/S-video	S: SAW

■ Optional accessories

- * Power adapter 100 ~ 240 Vac adapter with 12Vdc / 5A o/p
- * Power cord 1.8M power cord, US / EU
- * Signal cable 1.8M VGA cable, 1.8M DVI cable

Product drawing

LD-320

32" Industrial Open Frame LCD Monitor



Features

- Flexible, low cost and high performance
- For kiosk, gaming, amusement, digital signage application
- 31.5" 16:9 WUXGA TFT LCD display
- Premium MVA with wide-view angle
- VESA mount



Specifications

LCD panel	Size	32" (16:9)
	Backlight	LED (30K hours)
	Panel type	Premium MVA
	Pixel pitch	0.36375 mm
	Active area	698.4x392.85 mm
	Brightness	350 cd/m2
	Contrast	3000 : 1
	Viewing angle	178 / 178 degree
	Resolution	1920 x 1080
	Display color	16.7M (8 bit)
Video	Response time	6.5 mS (gray-gray)
	Hor. frequency	30 ~ 86 KHz
	Ver. frequency	60/70 Hz
	Pixel rate	165 MHz

Signal input	VGA, DVI-I	
OSD adjustment	Power, Enter, Left, Right, Auto	
Power	AC input	100~240Vac, 1A
	Inrush current	30A (cold start)
	Consumption	60W
	Management	VESA DPMS
Mounting	200x200mm VESA mount	
Dimension	763.4 (W) x 453.4 (H) x 106.4 (D) mm	
Net weight	G.W	13 Kg
	N.W	11 Kg
Package	Packing	1 pcs / carton
	Carton size	
	Container loading	
Temperature	Operation *	0 ~ 50 degree C
	Storage	-30 ~ 70 degree C

* Temperature of LCD surface

Ordering information

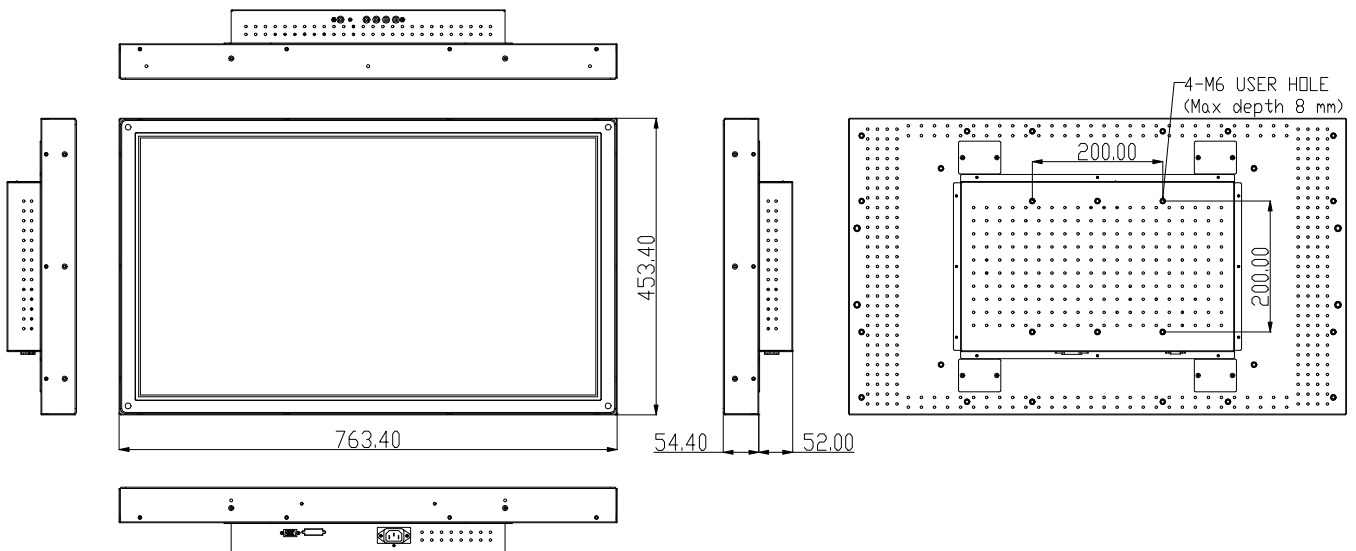
Model selection

LD-320-XYZ	X: Panel selection	Y: Input selection	Z: Touch selection
	0: Standard, chosen	0: Standard, VGA/DVI	0: Standard, none
	A: Specified LCD	V: VGA only	G: Glass
	B: Specified LCD	H: VGA/DVI/HDMI	P: Projective capacitive
	...etc. Specified LCD	P: DVI/HDMI/DP	I: IR
		S: VGA/DVI/S-video	S: SAW

Optional accessories

- * Power cord 1.8M power cord, US / EU
- * Signal cable 1.8M VGA cable, 1.8M DVI cable

Product drawing



* All specification and photos are subject to change without notice.

LD-420

42" Industrial Open Frame LCD Monitor



Features

- Flexible, low cost and high performance
- For kiosk, gaming, amusement, digital signage application
- 42" 16:9 WUXGA TFT LCD display
- Premium MVA with wide-view angle
- VESA mount



Specifications

LCD panel	Size	42" (16:9)
	Backlight	LED
	Panel type	Premium MVA
	Pixel pitch	0.4845 mm
	Active area	930.24x523.26 mm
	Brightness	350 cd/m2
	Contrast	3000 : 1
	Viewing angle	178 / 178 degree
	Resolution	1920 x 1080
	Display color	16.7M (8 bit)
	Response time	6.5 mS (gray-gray)
	Video	Hor. frequency
Ver. frequency		60/70 Hz
Pixel rate		165 MHz

Signal input	VGA, DVI-I	
OSD adjustment	Power, Enter, Left, Right, Auto	
Power	AC input	100~240Vac, 1.5A
	Inrush current	30A (cold start)
	Consumption	80W
	Management	VESA DPMS
Mounting	400x300mm M6 screw	
Dimension	986.9 (W) x 579.9 (H) x 112.9 (D) mm	
Weight	G.W :	23 Kg
	N.W :	21 Kg
Package	Packing	1 pcs / carton
	Carton size	
	Container loading	
Temperature	Operation *	0 ~ 50 degree C
	Storage	-30 ~ 70 degree C

* Temperature of LCD surface

Ordering information

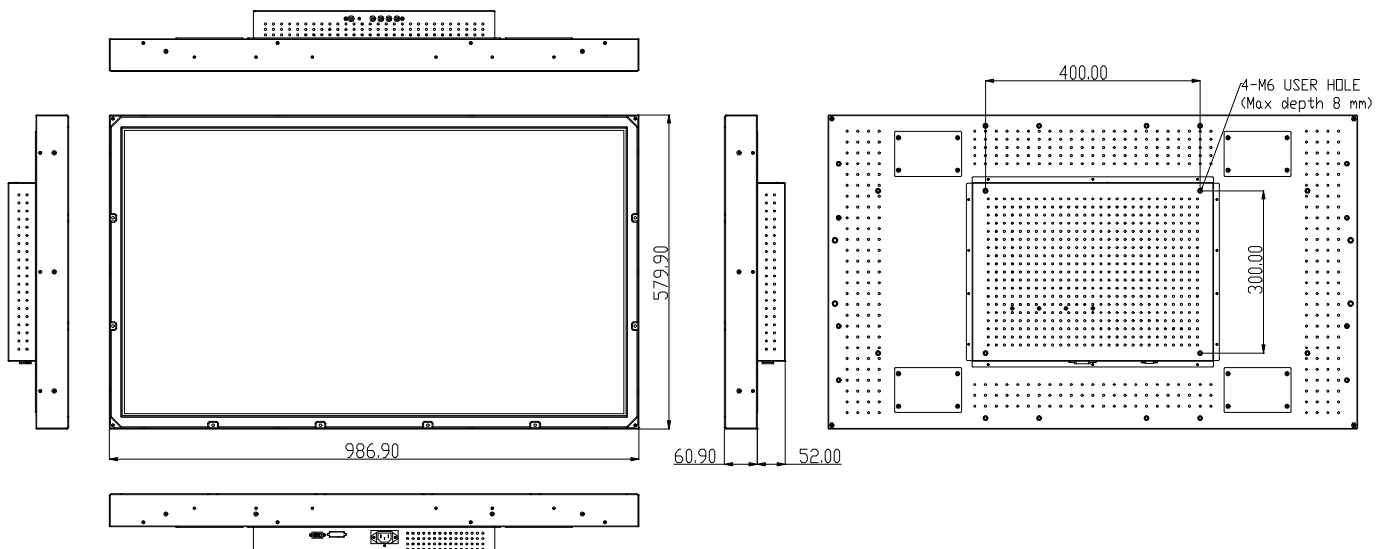
■ Model selection

LD-420-XYZ	X: Panel selection	Y: Input selection	Z: Touch selection
0:	Standard, chosen	0: Standard, VGA/DVI	0: Standard, none
A:	Specified LCD	V: VGA only	G: Glass
B:	Specified LCD	H: VGA/DVI/HDMI	P: Projective capacitive
...etc.	Specified LCD	P: DVI/HDMI/DP	I : IR
		S: VGA/DVI/S-video	S: SAW

■ Optional accessories

- * Power cord 1.8M power cord, US / EU
- * Signal cable 1.8M VGA cable, 1.8M DVI cable

Product drawing



* All specification and photos are subject to change without notice.

LD-460

46" Narrow Band Industrial Open Frame LCD Monitor



Features

- Flexible, low cost and high performance
- For kiosk, gaming, amusement, digital signage application
- 46" 16:9 WUXGA TFT LCD display
- Premium MVA with wide-view angle
- VESA mount



Specifications

LCD panel	Size	46" (16:9)
	Backlight	LED
	Panel type	Premium MVA
	Pixel pitch	0.17675 x 0.53025 mm
	Active area	1018.08x572.67 mm
	Brightness	700 cd/m2
	Contrast	4000 : 1
	Viewing angle	178 / 178 degree
	Resolution	1920 x 1080
	Display color	16.7M (8 bit)
	Response time	6.5 mS (gray-gray)
Video	Hor. frequency	30 ~ 86 KHz
	Ver. frequency	60/70/75 Hz
	Pixel rate	165 MHz

Signal input	VGA, DVI-I	
OSD adjustment	Power, Enter, Left, Right, Auto	
Power	AC input	100~240Vac, 2A
	Inrush current	35A (cold start)
	Consumption	120W
	Management	VESA DPMS
Mounting	400x300mm M6 screw	
Dimension	1054.8 (W) x 609.4 (H) x 85 (D) mm	
Weight	G.W	35 Kg
	N.W	32 Kg
Package	Packing	1 pcs / carton
	Carton size	
	Container loading	
Temperature	Operation *	0 ~ 50 degree C
	Storage	-30 ~ 70 degree C

* Temperature of LCD surface

Ordering information

Model selection

LD-460-XYZ	X: Panel selection	Y: Input selection	Z: Touch selection
	0: Standard, chosen	0: Standard, VGA/DVI	0: Standard, none
	A: Specified LCD	V: VGA only	G: Glass
	B: Specified LCD	H: VGA/DVI/HDMI	P: Projective capacitive
	...etc. Specified LCD	P: DVI/HDMI/DP	I: IR
		S: VGA/DVI/S-video	S: SAW

Optional accessories

- * Power cord 1.8M power cord, US / EU
- * Signal cable 1.8M VGA cable, 1.8M DVI cable

Архангельск (8182)63-90-72
Астана +7(7172)727-132
Белгород (4722)40-23-64
Брянск (4832)59-03-52
Владивосток (423)249-28-31
Волгоград (844)278-03-48
Вологда (8172)26-41-59
Воронеж (473)204-51-73
Екатеринбург (343)384-55-89
Иваново (4932)77-34-06
Ижевск (3412)26-03-58
Казань (843)206-01-48

Калининград (4012)72-03-81
Калуга (4842)92-23-67
Кемерово (3842)65-04-62
Киров (8332)68-02-04
Краснодар (861)203-40-90
Красноярск (391)204-63-61
Курск (4712)77-13-04
Липецк (4742)52-20-81
Магнитогорск (3519)55-03-13
Москва (495)268-04-70
Мурманск (8152)59-64-93
Набережные Челны (8552)20-53-41

Нижний Новгород (831)429-08-12
Новокузнецк (3843)20-46-81
Новосибирск (383)227-86-73
Орел (4862)44-53-42
Оренбург (3532)37-68-04
Пенза (8412)22-31-16
Пермь (342)205-81-47
Ростов-на-Дону (863)308-18-15
Рязань (4912)46-61-64
Самара (846)206-03-16
Санкт-Петербург (812)309-46-40
Саратов (845)249-38-78

Смоленск (4812)29-41-54
Сочи (862)225-72-31
Ставрополь (8652)20-65-13
Тверь (4822)63-31-35
Томск (3822)98-41-53
Тула (4872)74-02-29
Тюмень (3452)66-21-18
Ульяновск (8422)24-23-59
Уфа (347)229-48-12
Челябинск (351)202-03-61
Череповец (8202)49-02-64
Ярославль (4852)69-52-93