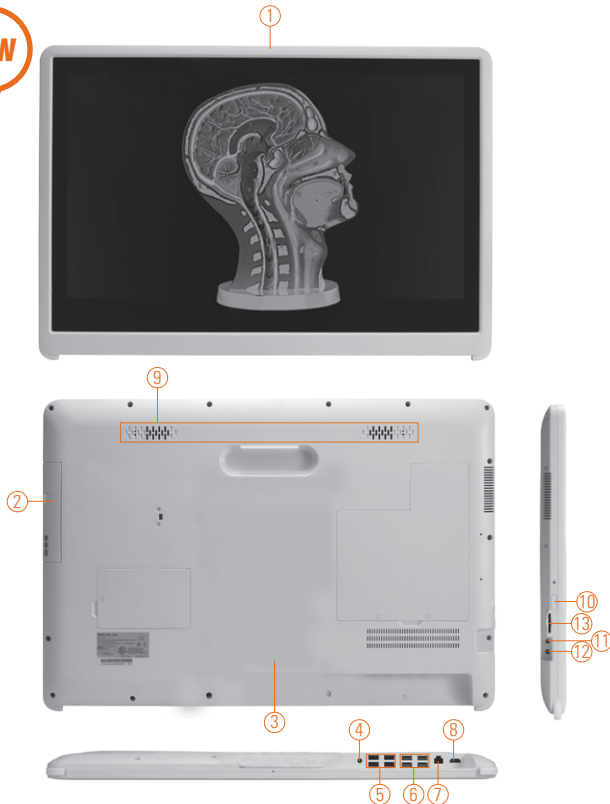


MPC240

24" FHD TFT Medical Grade Panel Computer with 4th Generation Intel® Core™ i7/i5/i3, Celeron® & Pentium® Mobile Processors



- | | | |
|-----------------------|------------------|---------------------|
| 1. Camera | 6. USB 3.0 x 4 | 11. Earphone jack |
| 2. Optical disc drive | 7. RJ-45 port | 12. Microphone jack |
| 3. Cable tie slot | 8. HDMI port | 13. Card reader |
| 4. DC-in jack | 9. Speakers | |
| 5. USB 2.0 x 4 | 10. Power button | |

- 24" FHD TFT LCD display with LED backlight
- Socket G3 4th generation Intel® Core™ i7/i5/i3, Celeron® & Pentium® mobile processors
- EN60601-1 and CE certified
- Spill-proof front panel design
- Supports 10-point multi-touch screen
- Antimicrobial enclosure
- Ultra slim and super lightweight design
- Supports optional wall mount, VESA mount and desktop stand



▲ Side view

Specifications

Front Bezel	Spill-proof	
LCD Panel	Display Type	24" FHD TFT LCD with LED backlight
	Brightness (cd/m ²)	250 nits
	Resolution	1920 x 1080
Main System	CPU	Socket G3 4th generation Intel® Core™ i7/i5/i3, Celeron® & Pentium® mobile processors
	System Memory	2 x 204-pin DDR3L 1600 MHz SO-DIMM max. up to 16 GB, 8 GB for each socket
	BIOS	AMI BIOS
	Storage	1 x 2.5" SATA HDD 1 x M2-SATA SSD (M2 Type, 2242)
	Optical Drive	1 x Super Multi drive (optional)
Watchdog Timer	255 levels, 0-255 sec.	
Onboard Graphics	Integrated in Intel® GFX	

Introduction

The MPC240 is an Intel® Core™-based 24-inch medical grade touch panel computer which is well-suited for applications like medical image processing and medical measuring instrument. Especially designed for the medical & healthcare environment, the 10-point touchscreen medical panel PC has spill-proof front panel design which protects the entire system from outside liquid, preventing system from crashing. In response to market demand, this 24" medical panel computer provides a cost-effective yet powerful solution.

Super slim & ultra lightweight design

The Axiomtek MPC240 is a super slim 24-inch touch panel PC for space-limited healthcare environment with its thickness of 35.5 mm and weight of 6.2 kg only, which make it installed everywhere. Besides, it provides medical grade AC power adapter.

Архангельск (8182)63-90-72
Астана +7(7172)727-132
Белгород (4722)40-23-64
Брянск (4832)59-03-52
Владивосток (423)249-28-31
Волгоград (844)278-03-48
Вологда (8172)26-41-59
Воронеж (473)204-51-73
Екатеринбург (343)384-55-89
Иваново (4932)77-34-06
Ижевск (3412)26-03-58
Казань (843)206-01-48

Калининград (4012)72-03-81
Калуга (4842)92-23-67
Кемерово (3842)65-04-62
Киров (8332)68-02-04
Краснодар (861)203-40-90
Красноярск (391)204-63-61
Курск (4712)77-13-04
Липецк (4742)52-20-81
Магнитогорск (3519)55-03-13
Москва (495)268-04-70
Мурманск (8152)59-64-93
Набережные Челны (8552)20-53-41

Нижний Новгород (831)429-08-12
Новокузнецк (3843)20-46-81
Новосибирск (383)227-86-73
Орел (4862)44-53-42
Оренбург (3532)37-68-04
Пенза (8412)22-31-16
Пермь (342)205-81-47
Ростов-на-Дону (863)308-18-15
Рязань (4912)46-61-64
Самара (846)206-03-16
Санкт-Петербург (812)309-46-40
Саратов (845)249-38-78

Смоленск (4812)29-41-54
Сочи (862)225-72-31
Ставрополь (8652)20-65-13
Тверь (4822)63-31-35
Томск (3822)98-41-53
Тула (4872)74-02-29
Тюмень (3452)66-21-18
Ульяновск (8422)24-23-59
Уфа (347)229-48-12
Челябинск (351)202-03-61
Череповец (8202)49-02-64
Ярославль (4852)69-52-93



Specifications

I/O Connector	4 x USB 3.0 4 x USB 2.0 1 x Line out 1 x Mic-in 1 x RJ-45 jack 1 x DC-in jack 1 x HDMI
Expansion Interface	1 x SDXC card reader slot 1 x PCIe Mini Card slot for Wi-Fi
Audio	2 x 1.5 KHz speaker/70dB 1 x Microphone
Camera	1 x 2M pixels webcam
Sensor	1 x Proximity sensor
Touch Screen	Projected capacitive multi-touch 10-point
Power Supply	1. 100V-240V, 135W medical grade power adapter 2. Built-in UPS battery (optional)
Dimensions	610 mm (24.01") (W) x 35.5 mm (1.40") (D) x 415 mm (16.34") (H)
Packing Dimensions	780 mm (30.71") (W) x 160 mm (6.30") (D) x 530 mm (20.87") (H)
Weight(net/gross)	6.2 kg (13.66 lb)/9 kg (19.84 lb)
Environment	Operating temperature: +5°C ~ +40°C (+13°F ~ +104°F) Storage temperature: -30°C ~ +60°C (-22°F ~ +140°F) Relative humidity: 10%~90% @ 40°C; non-condensing
Certificate	CE, EN60601-1

Ordering Information

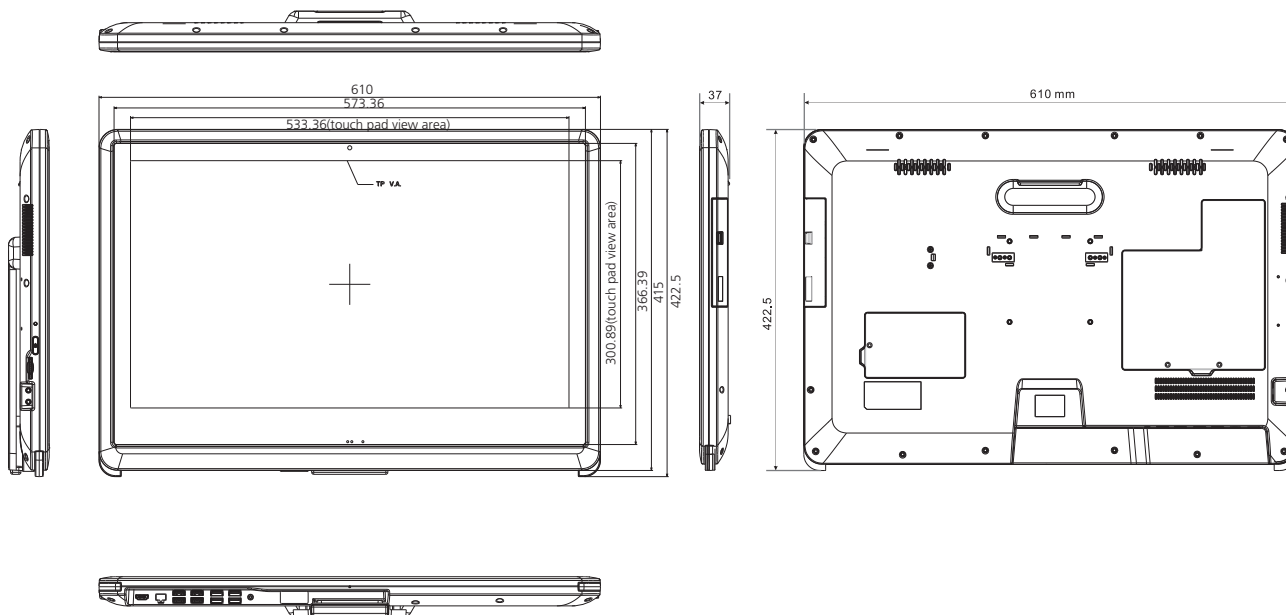
MPC240	24" FHD medical touch panel computer with Intel® Core™ processor, projected capacitive multi-touch screen, AC-DC 135W medical grade power adapter (screw type connector), EMI class B and EN60601-1 certified
--------	---

* Specification and certifications are based on options and may vary.

Optional OS Installation

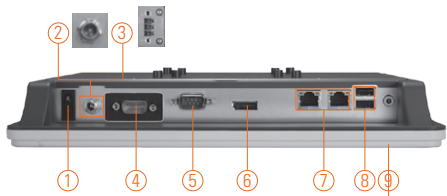
Windows® 7
Windows® 8.1

Dimensions



MPC102-832

10.4" TFT Medical Grade Fanless Touch Panel Computer with Intel® Atom™ Processor N2600



- | | |
|---------------------------------------|-------------------------|
| 1. Power switch (ATX) | 6. DisplayPort |
| 2. Screw conn. w/ AC power adapter or | 7. Ethernet |
| 3. Terminal block for DC power input | 8. USB 2.0 x 2 |
| 4. Isolation COM 3 (RS-232) | 9. Audio (Line-out) |
| 5. COM 1 (RS-232/422/485) | 10. Touch On/Off button |



Features

- 10.4" SVGA TFT LCD display with LED backlight
- Fanless cooling system with Intel® Atom™ processor N2600
- UL60601-1, EN60601-1, CE and FCC certified
- IP65 front bezel and IPX1 full enclosure water/dust proof design
- One On/Off touch key
- Ultra slim design: thickness 45.8 mm
- Super lightweight: 1.8 kg
- Supports optional panel mount, wall mount, VESA mount and desktop stand



▲ Side view

Introduction

The MPC102-832 is a 10.4" Intel® Atom™-based medical fanless grade touch panel computer which is well-suited for applications like medical image processing and medical measuring instrument. Especially designed for the medical environment, it adopts whole system IPX1 and front IP65 waterproof design which protects the entire system from outside liquid, preventing system from crashing. The cost-effective panel PC supports Intel® Atom™ processor N2600 1.6 GHz.

Super slim & ultra lightweight design

The MPC102-832 is a super slim touch panel computer for space-limited environment with the thickness of 45.8 mm and weight of 1.8 kg. Besides, it provides two types of power input. One is medical grade AC medical power adapter with screw type connector, and the other is DC power input (10~30VDC) with terminal block connector (optional).

Built-in internal WLAN antenna

The MPC102-832 provides a PCI Express Mini Card slot and a built-in WLAN antenna for wireless network connections. By simply plugging in the wireless LAN card, customers can use the MPC102-832 in a wireless LAN/GPRS/ GSM/4G environments.

Certifications

This 10.4-inch medical panel platform complies with UL60601-1, EN60601-1, CE, FCC Class B certifications to ensure medical operation safety.

Specifications

Front Bezel	IP65, NEMA 4 rugged protection, plastic front bezel	
LCD Panel	Display Type	10.4" SVGA TFT LCD with LED backlight
	Brightness (cd/m ²)	400 nits
	Resolution	800 x 600
	Viewing Angle (H/V)	140°/120°
Main System	CPU	Intel® Atom™ processor N2600 dual-core @1.6 GHz
	Chipset	Intel® NM10
	System Memory	1 x 204-pin DDR3-800/1066 MHz SO-DIMM max. up to 2 GB
	BIOS	AMI UEFI BIOS
	Storage	1 x Half-slim SATA SSD 1 x CFast™
	Watchdog Timer	255 levels, 0~255 sec.
	Onboard Graphics	Integrated in Intel® GFX

Specifications

I/O Connector	1 x RS-232 (COM 3 w/4KV isolation) 1 x RS-232/422/485 (COM 1) 1 x DisplayPort 1 x Audio (Line-out) 2 x USB 2.0 2 x 10/100/1000Mbps Ethernet (Intel® i210IT)
Expansion Interface	1 x PCI Express Mini Card slot
Touch screen	Resistive type
Power Supply	1. AC version: medical grade 100-240V AC-DC 60W power adapter 2. DC version: 10-30VDC with terminal block
Dimensions	292.5 mm (11.52") (W) x 45.8 mm (1.80") (D) x 235.8 mm (9.28") (H)
Packing Dimensions	415 mm (16.34") (W) x 100 mm (3.94") (D) x 315 mm (12.4") (H)
Weight(net/gross)	1.8 kg (3.96 lb)/3 kg (6.61 lb)
Environment	Operating temperature: 0°C ~ +40°C (+32°F ~ +104°F) Storage Temperature: 0°C ~ +40°C (+32°F ~ +104°F) Relative humidity: 20%-90% @ 40°C ; non-condensing Operation vibration: 2G, 5 - 500Hz, random for CFast™
Certificate	CE, FCC class B, UL60601-1, EN60601-1

* The DC power source to be used with MPC102-832 must be galvanically isolated according to IEC60601-1 safety of medical devices!

Ordering Information

Standard	
MPC102-832-J	15" XGA medical fanless touch panel computer with Intel® Atom™ processor N2600, 5-wire resistive touch screen, AC-DC 60W medical grade power adapter (screw type connector), EMI class B, UL60601-1 and EN60601-1 certified
MPC102-832-DC	15" XGA medical fanless touch panel computer with Intel® Atom™ processor N2600, 5-wire resistive touch screen, 10-30VDC power input (terminal block connector), UL60601-1 and EN60601-1 certified

Optional

Wi-Fi + Bluetooth kit
Panel mount kit

* Specification and certifications are based on requirement and may vary.

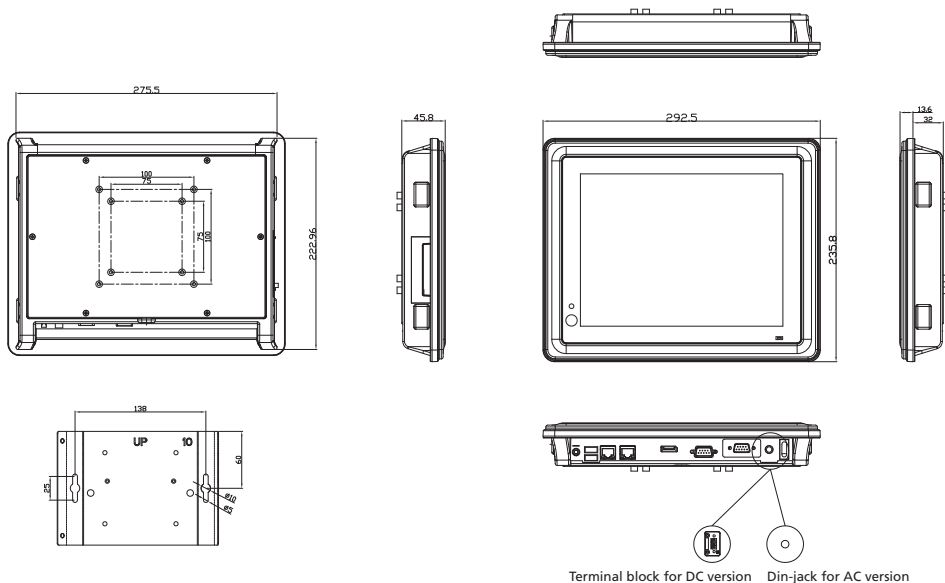
Optional EOS Installation

WES7
WES

Optional OS Installation

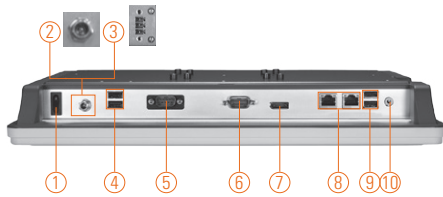
Windows® 7
Windows® XP

Dimensions



MPC152-832

15" TFT Medical Grade Fanless Touch Panel Computer with Intel® Atom™ Processor D2550



- | | |
|--------------------------------------|-------------------------|
| 1. Power switch (ATX) | 7. DisplayPort |
| 2. Screw conn. w/ AC power adapter | 8. Ethernet |
| 3. Terminal block for DC power input | 9. USB 2.0 x 2 |
| 4. USB 2.0 x 2 | 10. Audio (Line-out) |
| 5. Isolation COM 3 (RS-232) | 11. Touch On/Off button |
| 6. COM 1 (RS-232/422/485) | |



Introduction

The MPC152-832 is a 15" Intel® Atom™-based medical fanless grade touch panel computer which is well-suited for applications like medical image processing and medical measuring instrument. Especially designed for the medical environment, it adopts whole system IPX1 and front IP65 waterproof design which protects the entire system from outside liquid, preventing system from crashing. The cost-effective panel PC supports Intel® Atom™ processor D2550 1.86 GHz.

Super slim & ultra lightweight design

The MPC152-832 is a super slim touch panel computer for space-limited environment with its thickness of 54.6 mm and weight of 3.2 kg. Besides, it provides two types of power input. One is medical grade AC medical power adapter with screw type connector, and the other is DC power input (10~30VDC) with terminal block connector (optional).

Built-in internal WLAN

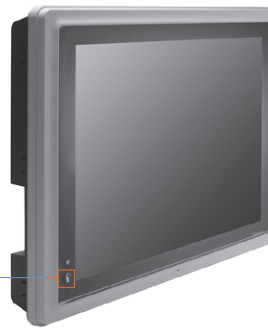
The MPC152-832 provides a PCI Express Mini Card slot and a built-in WLAN antenna for wireless network connections. By simply plugging in the wireless LAN card, customers can use the 15-inch medical computer in a wireless LAN/GPRS/ GSM/4G environments.

Certifications

This medical panel platform complies with UL60601-1, EN60601-1, CE, FCC Class B certifications to ensure medical operation safety.

Features

- 15" XGA TFT LCD display with LED backlight
- Fanless cooling system with Intel® Atom™ processor D2550
- UL60601-1, EN60601-1, CE and FCC class B certified
- IP65 front bezel and IPX1 full enclosure water/dust proof design
- One On/Off touch key
- Ultra slim design: thickness 54.6 mm
- Super lightweight: 3.2 kg
- Supports optional panel mount, wall mount, VESA mount and desktop stand



▲ Side view

Specifications

Front Bezel	IP65, NEMA 4 rugged protection, plastic front bezel	
LCD Panel	Display Type	15" XGA TFT LCD with LED backlight
	Brightness (cd/m ²)	400 nits
	Resolution	1024 x 768
	Viewing Angle (H/V)	160°/140°
Main System	CPU	Intel® Atom™ processor D2550 dual-core @1.86 GHz
	Chipset	Intel® NM10
	System Memory	1 x 204-pin DDR3-800/1066 MHz SO-DIMM max. up to 4 GB
	BIOS	AMI 8 Mbit with RPL/PXE LAN boot ROM
	Storage	1 x 2.5" SATA HDD 1 x CFast™
	Watchdog Timer	255 levels, 0~255 sec.
	Onboard Graphics	Integrated in Intel® GFX

Specifications

I/O Connector	1 x RS-232 (COM 3 w/4KV isolation) 1 x RS-232/422/485 (COM 1) 1 x DisplayPort 1 x Audio (Line-out) 4 x USB 2.0 2 x 10/100/1000Mbps Ethernet (Intel® i210IT)
Expansion Interface	1 x PCI Express Mini Card slot
Touch screen	Resistive type One touch key On/Off
Power Supply	1. AC version: medical grade 100-240V AC-DC 60W power adapter 2. DC version: 10-30VDC with terminal block
Dimensions	387.9 mm (15.27") (W) x 54.6 mm (2.14") (D) x 307.7 mm (12.11") (H)
Packing Dimensions	510 mm (20.08") (W) x 105 mm (4.13") (D) x 385 mm (15.16") (H)
Weight(net/gross)	3.2 kg (7.05 lb)/5.1 kg (11.24 lb)
Environment	Operating temperature: 0°C ~ +40°C (+32°F ~ +104°F) Storage Temperature: 0°C ~ +40°C (+32°F ~ +104°F) Relative humidity: 20% ~ 90% @ 40°C; non-condensing Operation vibration: 2G, 5 ~ 500Hz, random for CFast™
Certificate	CE, FCC class B, UL60601-1, EN60601-1

* The DC power source to be used with MPC152-832 must be galvanically isolated according to IEC60601-1 safety of medical devices!

Ordering Information

Standard	
MPC152-832-J	15" XGA medical fanless touch panel computer with Intel® Atom™ processor D2550, 5-wire resistive touch screen, AC-DC 60W medical grade power adapter (screw type connector), EMI class B, UL60601-1 and EN60601-1 certified
MPC152-832-DC	15" XGA medical fanless touch panel computer with Intel® Atom™ processor D2550, 5-wire resistive touch screen, 10-30VDC power input (terminal block connector), UL60601-1 and EN60601-1 certified

Optional

Wi-Fi + Bluetooth kit
Panel mount kit

*Specification and certifications are based on requirement and may vary.

Optional EOS Installation

WES7

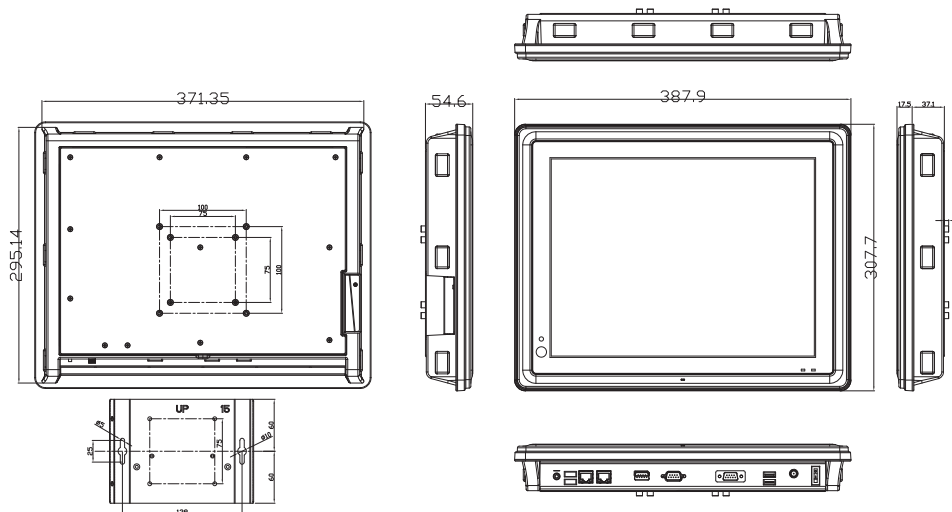
WES

Optional OS Installation

Windows® 7

Windows® XP

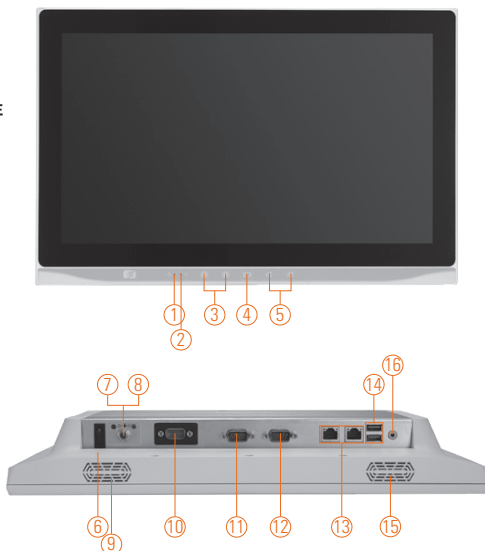
Dimensions



MPC153-834

15.6" WXGA TFT Medical Grade Fanless
Touch Panel Computer with Intel® Celeron®
Processor J1900 (up to 2.42 GHz)

NEW



- | | | |
|-----------------------|------------------------------------|----------------------|
| 1. Power LED | 7. Power input connector (Screw) | 13. Ethernet x 2 |
| 2. HDD LED | 8. Power input connector (Phoenix) | 14. USB 3.0 x 2 |
| 3. Brightness adjust | 9. Speaker | 15. Speaker |
| 4. Display on/off | 10. Isolated COM 3 | 16. Audio (Line-out) |
| 5. Volume adjust | 11. COM 1(RS-232/422/485) | |
| 6. Power switch (ATX) | 12. COM 2(RS-232/422/485) | |

Features

- 15.6" WXGA TFT LCD display with LED backlight
- 15.6" projected capacitive touch or 5-wire flat resistive touch for optional
- Fanless design with Intel® Celeron® processor J1900 4 cores (up to 2.42 GHz)
- EN 60601-1/CE/FCC class B certified
- Supports half-slim SSD & CFast™ or mSATA
- Supports antimicrobial plastic enclosure
- IP65 front bezel & IPX1 full enclosure
- Supports optional VESA arm/desktop stand/wall mount
- Supports optional smart card reader



Smart card reader cover

▲ Rear view

CFast™ cover



▲ Side view



Introduction

The MPC153-834 is a 15.6" Intel® Celeron® based medical grade fanless touch panel computer. In response to market demand, this medical touch panel computer is a cost effective solution. It adopts a modern, sleek and fanless design and is equipped with a 15.6" TFT LCD as well as Intel® Celeron® processor J1900 4 cores up to 2.42 GHz (Bay Trail). For wireless network connection, the MPC153-834 offers 2 mini card slots. By just plugging in a mini card WLAN card, customers can have instant access to wireless LAN/GPRS/GSM/4G environments. Besides, it provides two types of power input. One is DC power input (9-36VDC) with terminal block connector, and another is AC medical power adapter with screw type connector.

Slim & lightweight design

The 15.6-inch medical panel PC is slim and lightweight which makes it fit for limited space installation.

Built-in internal WLAN antenna

The MPC153-834 provides 2 mini card slots and a built-in WLAN antenna for wireless network connections. By simply plugging in the wireless LAN card, customers can use the medical computer in wireless LAN/GPRS/GPS/4G environment.

Support front membrane keys

The MPC153-834 provides 5 membrane keys in front of system, people can adjust the system display, volume and brightness.

Certifications

This 15.6-inch fanless medical panel platform complies with EN60601-1, CE, FCC Class B certifications to ensure medical operation safety.

Specifications

Front Bezel	IP65 front bezel	
LCD Panel	Display Type	15.6" WXGA TFT LCD display with LED backlight
	Brightness (cd/m ²)	300 nits
	Resolution	1366 x 768
Main System	CPU	Intel® Celeron® processor J1900 4 cores (up to 2.42 GHz)
	System Memory	1 x 204-pin DDR3L-1066/1333 SO-DIMM max. up to 8 GB
	BIOS	AMI UEFI BIOS
	Storage	1 x Half-Slim SSD 1 x CFast™ or mSATA
	Watchdog Timer	255 levels, 0 ~ 255 sec.
	Onboard Graphics	Integrated Intel® GFX



Specifications

I/O Connector	2 x RS-232/422/485 (default RS-232 COM 1/2) 1 x RS-232 (COM3 w/ isolated 4KV) 2 x 10/100/1000Mbps Ethernet (Intel® i210IT) 2 x USB 3.0 1 x Audio (Line-out)
Expansion Interface	1 x Full-size PCI express Mini Card with mSATA supported 1 x Full-size PCI express Mini Card with SIM slot
Touchscreen	Projected capacitive multi-touch or 5-wire flat resistive touch
Power Supply	1. AC version: medical grade 100-240V AC-DC 60W power adapter 2. DC version: 9-36VDC with terminal block
Dimensions	394.2 mm (15.53") (W) x 57 mm (2.25") (D) x 257.2 mm (10.13") (H)
Packing Dimensions	510 mm (20.09") x 190 mm (7.48") x 540 mm (21.26")
Weight (net/gross)	3.0 kg (6.61 lb)/4.5 kg (9.92 lb)
Environment	Operating temperature: 0°C ~ +40°C (32°F ~ +104°F, w/RAM thermal kit) Storage temperature: 0°C ~ +40°C (32°F ~ +104°F) Relative humidity: 20% ~ 90% @ 40°C; non-condensing Operation vibration: 2G, 10 ~ 500Hz, random for CFast™
Certificate	CE, FCC class B, EN606011-1

* W.T.: Wide Temperature. All W.T. supported products have to be sorted by Axiomtek.
* The DC power source to be used with MPC153-834 must be galvanically isolated according to IEC60601-1 safety of medical devices!

Ordering Information

Standard	
MPC153-834-PCT-J	15.6" WXGA fanless medical touch panel computer with Intel® Celeron® processor J1900, projected capacitive multi-touch screen, AC-DC 60W power adapter (screw type connector), EMI class B and EN60601-1 certified
MPC153-834-FR-J	15.6" WXGA fanless medical touch panel computer with Intel® Celeron® processor J1900, 5-wire flat resistive touch screen, AC-DC 60W power adapter (screw type connector), EMI class B and EN60601-1 certified
MPC153-834-PCT-DC	15.6" WXGA fanless medical touch panel computer with Intel® Celeron® processor J1900, projected capacitive multi-touch screen, 10-30VDC power input (terminal block connector) and EN60601-1 certified
MPC153-834-FR-DC	15.6" WXGA fanless medical touch panel computer with Intel® Celeron® processor J1900, 5-wire flat resistive touch screen, 10-30VDC power input (terminal block connector) and EN60601-1 certified

Optional	
Wi-Fi + Bluetooth kit	
Smart card reader kit	
WALL mount kit	

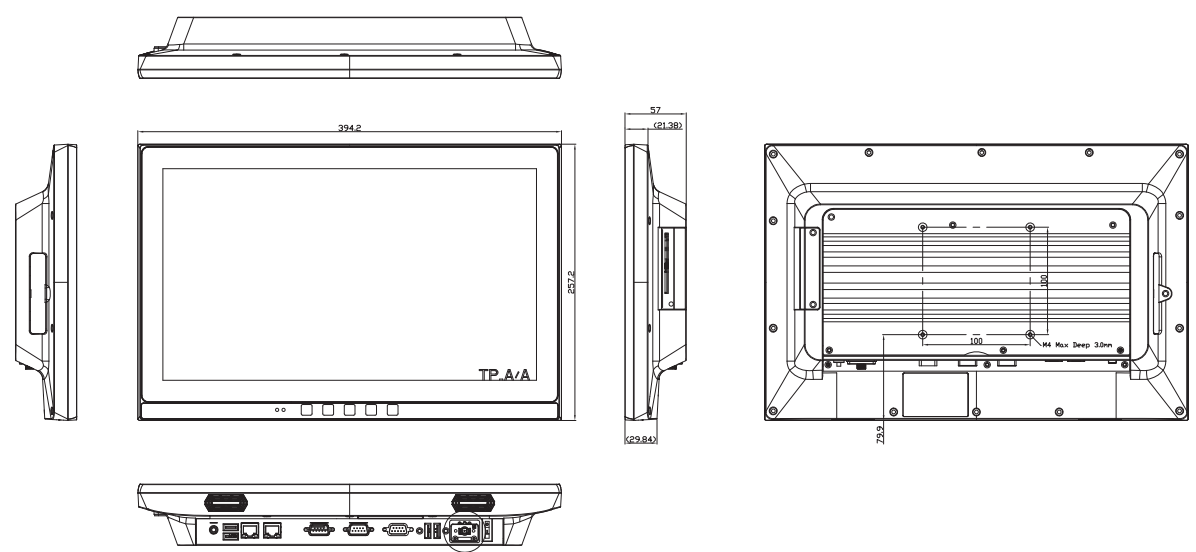
Optional EOS Installation

WES7	
WES8	

Optional OS Installation

Windows® 7	
Windows® 8.1	

Dimensions



MPC175-873

17" TFT Fanless Medical Grade Panel Computer with Intel® Core™ i7/i5/i3 & Celeron® Processor



- | | | |
|------------------------------|---------------------------------------|----------------------|
| 1. Brightness Adjust buttons | 7. Isolated COM 1
(RS-232/422/485) | 13. Power connector |
| 2. Volume adjust buttons | 8. Isolated Ethernet x 2 | 14. Power switch |
| 3. Power LED | 9. Isolated USB x 2 | 15. PCI or PCIe slot |
| 4. MIC | 10. USB 3.0 x 2 | 16. Speaker (L) |
| 5. Touch on/off button | 11. Audio (Line-out/Mic-in) | |
| 6. Speaker (R) | 12. DisplayPort | |



Introduction

The MPC175-873 is a 17-inch slim TFT fanless medical grade panel computer, which is well-suited for applications like medical image processing and medical measuring instrument. Especially designed for the medical environment, it adopts IPX1 waterproof design which protects the entire system from outside liquid, preventing system from crashing. Isolated COM/USB/LAN port design provides electric leakage protection in medical environment. Powered by socket rPGA988B 3rd Generation Intel® Core™ i7/i5/i3 processor and PCI expansion slot, the MPC175-873 is definitely the best choice for your medical platform.

This medical panel platform complies with UL60601-1, EN60601-1, CE, FCC Class B certifications to ensure medical operation safety. It is outfitted with 17-inch wide view angle SXGA TFT LCD display. Additionally, the MPC175-873 offers flexible CPU selection with socket type which reduces cost, increases convenience over onboard CPU, and still maintains a fanless operation as well as long product life cycle. For expansion capability, the unit supports optional one PCI or PCIe x4 slot, and two mini card slot for video capture card, data acquisition card, Wi-Fi, mSATA and more. The built-in 5 mega pixels camera, microphone and stereo speakers allow medical professionals to execute remote operation. Bluetooth is an available option for wireless connection with medical peripheral devices. Optional Wi-Fi (802.11 a/b/g/n) allows wireless real-time connection of patient record for assessment. To improve patient treatment accuracy, the optional RFID (radio frequency identification) offers an efficient way to validate patient identification and give proper treatment.

Features

- 17" (350 nits) SXGA TFT LCD
- Socket rPGA988B 3rd Generation Intel® Core™ i7/i5/i3 (Ivy Bridge) & Celeron® processor
- Intel® QM77 chipset
- Isolated COM, USB and Ethernet ports
- USB 3.0 supported
- Water/dust-proof design (front bezel: IP65, full enclosure: IPX1)
- Optional 1 x PCI or PCIe x4 expansion slot
- Optional Bluetooth/Wi-Fi (802.11 a/b/g/n)
- Built-in 5 mega pixels camera
- Touch screen on/off key for clean usage
- UL60601-1/EN60601-1, CE & FCC class B certified
- Supports wall mount, VESA arm and desktop stand



▲ Side view



▲ Rear view

Specifications

Front Bezel	Plastic ABS	
LCD Panel	Display Type	17" SXGA TFT
	Brightness (cd/m ²)	350 nits
	Resolution	1280 x 1024
	Viewing Angle (H/V)	178°/178°
Main System	CPU	Socket rPGA988B 3rd Generation Intel® Core™ i7/i5/i3 & Celeron® processor, TDP up to 35W
	Chipset	Intel® QM77
	System Memory	2 x 204-pin DDR3 SO-DIMM max. up to 16 GB
	BIOS	AMI UEFI BIOS with OA 3.0 built
	Storage	1 x 2.5" SATA HDD
		1 x mSATA SSD (optional)
	Optical Drive	1 x Super Multi drive (optional)
	Watchdog Timer	255 levels, 0-255 sec.
	Onboard Graphics	Intel® HD Graphic

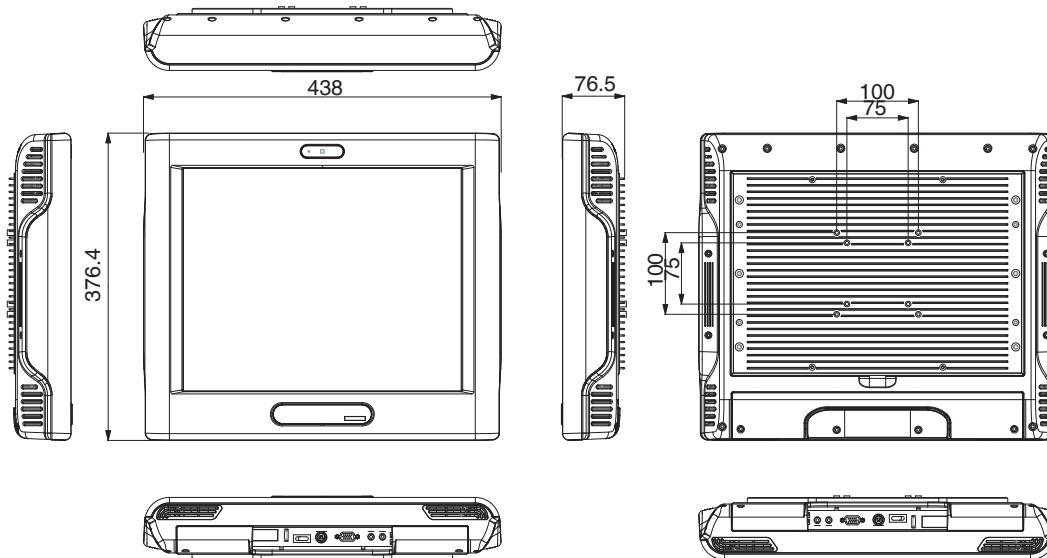
Specifications

I/O Connector	1 x RS-232/422/485 (COM 1 w/ isolated 4KV) 2 x 10/100/1000Mbps Ethernet (isolated 4KV) 2 x USB 2.0 (isolated 4KV) 2 x USB 3.0 1 x Audio (Line-out) 1 x Audio (Mic-in) 1 x DisplayPort
Expansion Interface	1 x PCI or 1 x PCIe x4 slot (optional) 2 x PCIe Mini Card slot
Speaker	2 x 2W
Camera	1 x 5M pixels camera
Touchscreen	5-wire resistive type
Function Key	LCD brightness up/down, audio volume up/down, touch off/on
Power Supply	External 24VDC with AC/DC medical grade power adapter
Dimensions	438 mm (17.24") (W) x 76.5 mm (3.01") (D) x 376.4 mm (14.81") (H)
Packing Dimensions	610 mm (24.02") (W) x 260 mm (10.24") (D) x 590 mm (23.23") (H)
Weight (net/gross)	8.0 kg (17.63 lb)/ 11.9 kg (26.23 lb)
Environment	Operating temperature: 0°C ~ +40°C (+32°F ~ +104°F) Storage temperature: 0°C ~ +40°C (+32°F ~ +104°F) Relative humidity: 20% ~ 90% @ 40°C; non-condensing
Certificate	CE, FCC class B, EN60601-1, UL60601-1



▲ Stand kit

Dimensions



OPEN I/O COVER VIEW

Ordering Information

MPC175-873-NP-DRW	17" SXGA fanless medical touch panel computer with Intel® Core™ processor, 5-wire resistive touch screen, super multi drive, AC-DC 110W medical grade power adapter (screw type connector), EMI class B and EN60601-1 certified
MPC175-873-NP W/O DRW	17" SXGA fanless medical touch panel computer with Intel® Core™ processor, 5-wire resistive touch screen, AC-DC 110W medical grade power adapter (screw type connector), EMI class B and EN60601-1 certified
MPC175-873-UL-NP DRW	17" SXGA fanless medical touch panel computer with Intel® Core™ processor, 5-wire resistive touch screen, super multi drive, AC-DC 150W medical grade power adapter (screw type connector), EMI class B, UL60601-1 and EN60601-1 certified
MPC175-873-UL-NP W/O DRW	17" SXGA fanless medical touch panel computer with Intel® Core™ processor, 5-wire resistive touch screen, AC-DC 150W medical grade power adapter (screw type connector), EMI class B, UL60601-1 and EN60601-1 certified

* Specification and certifications are based on options and may vary.

**Super Multi drive includes DVD-R, DVD-RW and DVD-RAM.

Optional Accessories

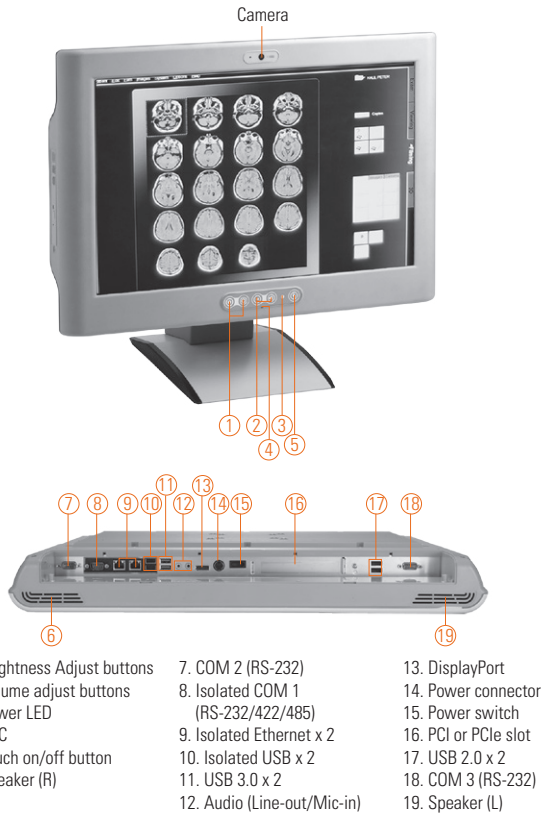
E202003330	VM-101 VESA ARM (clamp type)
E202003329	VM-105 VESA ARM (wall mount type)
E228170100	17" stand kit

Optional OS Installation

Windows® XP	
Windows® 7	
WES7	
Windows® 8.1	
WE8S	

MPC225-873

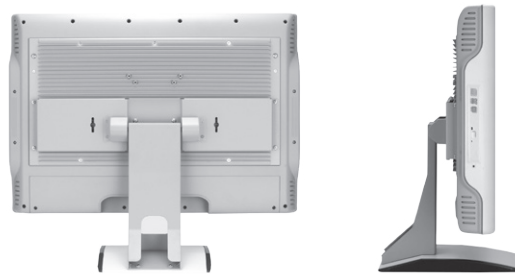
22" TFT Fanless Medical Grade Panel Computer with Intel® Core™ i7/i5/i3 & Celeron® Processor



- | | | |
|------------------------------|------------------------------------|----------------------|
| 1. Brightness Adjust buttons | 7. COM 2 (RS-232) | 13. DisplayPort |
| 2. Volume adjust buttons | 8. Isolated COM 1 (RS-232/422/485) | 14. Power connector |
| 3. Power LED | 9. Isolated Ethernet x 2 | 15. Power switch |
| 4. MIC | 10. Isolated USB x 2 | 16. PCI or PCIe slot |
| 5. Touch on/off button | 11. USB 3.0 x 2 | 17. USB 2.0 x 2 |
| 6. Speaker (R) | 12. Audio (Line-out/Mic-in) | 18. COM 3 (RS-232) |
| | | 19. Speaker (L) |

Features

- 22" (250 nits) WSXGA TFT LCD
- Socket rPGA988B 3rd generation Intel® Core™ i7/i5/i3 (Ivy Bridge) & Celeron® processor
- Intel® QM77 chipset
- Isolated COM, USB and Ethernet ports
- USB 3.0 supported
- Water/dust-proof design (front bezel: IP65, full enclosure: IPX1)
- 1 PCI or PCIe x4 expansion slot and 2 PCIe Mini Card slots
- Optional Bluetooth/Wi-Fi (802.11 a/b/g/n)
- Built-in 5 mega pixels camera
- Touch screen on/off key for clean usage
- UL60601-1, EN60601-1, CE & FCC class B certified
- Supports optional wall mount, VESA arm and desktop stand



▲ Rear view

▲ Slim design



Introduction

The MPC225-873 is a 22-inch slim TFT fanless medical grade panel computer, which is well-suited for applications like medical image processing and medical measuring instrument. Especially designed for the medical environment, it adopts IPX1 waterproof design which protects the entire system from outside liquid, preventing system from crashing. The Isolated COM/USB/LAN port design provides electric leakage protection in medical environment. Powered by socket rPGA988B 3rd Generation Intel® Core™ i7/i5/i3 processor and PCI expansion slot, the MPC225-873 is definitely the best choice for your medical computing platform.

This medical panel platform complies with UL60601-1, EN60601-1, CE, FCC Class B certifications to ensure medical operation safety. It is outfitted with 22-inch wide view angle WSXGA TFT LCD display. Additionally, the MPC225-873 offers flexible CPU selection with socket type which reduces cost, increases convenience over onboard CPU, and still maintains a fanless operation as well as long product life cycle. For expansion capability, the unit supports one PCI or PCIe x4 slot and two mini card slots for video capture card, data acquisition card, Wi-Fi, mSATA and more. The built-in 5 mega pixels camera, microphone and stereo speakers allow medical professionals to execute remote operation. Bluetooth is an available option for wireless connection with medical peripheral devices. Optional Wi-Fi (802.11 a/b/g/n) allows wireless real-time connection of patient record for assessment. To improve patient treatment accuracy, the optional RFID (radio frequency identification) offers an efficient way to validate patient identification and give proper treatment.

Specifications

Front Bezel	Plastic ABS	
LCD Panel	Display Type	22" WSXGA TFT
	Brightness (cd/m ²)	250 nits
	Resolution	1680 x 1050
	Viewing Angle (H/V)	178°/178°
Main System	CPU	Socket rPGA988B 3rd generation Intel® Core™ i7/i5/i3 & Celeron® processor, TDP up to 35W
	Chipset	Intel® QM77
	System Memory	2 x 204-pin DDR3 SO-DIMM max. up to 16 GB
	BIOS	AMI UEFI BIOS with OA 3.0 built
	Storage	1 x 2.5" SATA HDD
		1 x mSATA SSD (optional)
	Optical Drive	1 x Super Multi drive (optional)
	Watchdog Timer	255 levels, 0-255 sec.
	Onboard Graphics	Intel® HD Graphic

Specifications

I/O Connector	2 x RS-232 (COM 2/3) 1 x RS-232/422/485 (COM 1 w/ isolated 4KV) 2 x 10/100/1000Mbps Ethernet (isolated 4KV) 2 x USB 2.0 (isolated 4KV) 2 x USB 2.0 2 x USB 3.0 1 x Audio (Line-out) 1 x Audio (Mic-in) 1 x DisplayPort
Expansion Interface	1 x PCI or 1 x PCIe x4 slot (optional) 2 x PCIe Mini Card slot
Speaker	2 x 2W
Camera	1 x 5M pixels camera
Touchscreen	5-wire resistive type
Function Key	LCD brightness up/down, audio volume up/down, touch off/on
Power Supply	External 24VDC with AC/DC medical grade power adapter
Dimensions	573.5 mm (22.57") (W) x 75.9 mm (2.98") (D) x 398.9 mm (15.7") (H)
Packing Dimensions	730 mm (28.74") (W) x 240 mm (9.45") (D) x 650 mm (25.59") (H)
Weight (net/gross)	10.58 kg (23.32 lb)/15.16 kg (33.42 lb)
Environment	Operating temperature: 0°C ~ +40°C (+32°F ~ +104°F) Storage temperature: 0°C ~ +40°C (+32°F ~ +104°F) Relative humidity: 20% ~ 90% @ 40°C; non-condensing
Certificate	CE, FCC class B, EN60601-1, UL60601-1

Ordering Information

MPC225-873-UL-NP-DRW	22" WXGA fanless medical touch panel computer with Intel® Core™ processor, 5-wire resistive touch screen, super multi drive, AC-DC 150W medical grade power adapter (screw type connector), EMI class B, UL60601-1 and EN60601-1 certified
MPC225-873-UL-NP w/o DRW	22" WXGA fanless medical touch panel computer with Intel® Core™ processor, 5-wire resistive touch screen, AC-DC 150W medical grade power adapter (screw type connector), EMI class B, UL60601-1 and EN60601-1 certified

* Specification and certifications are based on options and may vary.

**Super Multi drive includes DVD-R, DVD-RW and DVD-RAM.

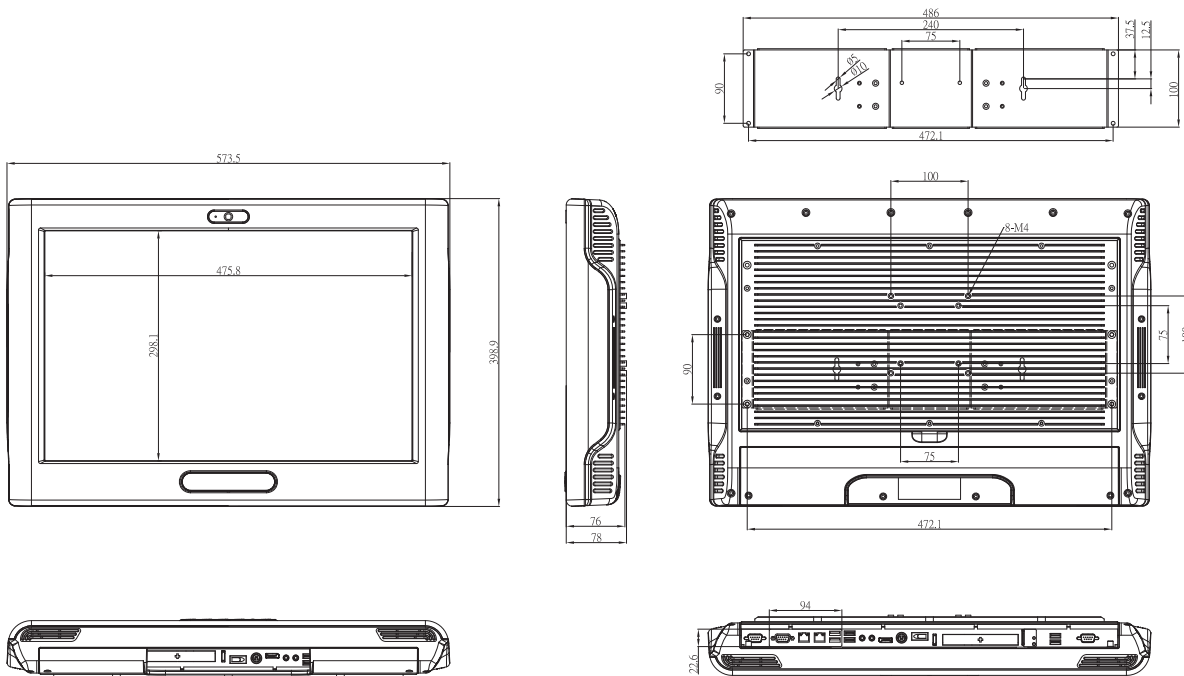
Optional Accessories

E202003330	VM-101 VESA ARM (clamp type)
E202003329	VM-105 VESA ARM (wall mount type)
E228170100	22" stand kit

Optional OS Installation

Windows® XP
Windows® 7
WES7
Windows® 8.1
WE8S

Dimensions



Архангельск (8182)63-90-72
Астана +7(7172)727-132
Белгород (4722)40-23-64
Брянск (4832)59-03-52
Владивосток (423)249-28-31
Волгоград (844)278-03-48
Вологда (8172)26-41-59
Воронеж (473)204-51-73
Екатеринбург (343)384-55-89
Иваново (4932)77-34-06
Ижевск (3412)26-03-58
Казань (843)206-01-48

Калининград (4012)72-03-81
Калуга (4842)92-23-67
Кемерово (3842)65-04-62
Киров (8332)68-02-04
Краснодар (861)203-40-90
Красноярск (391)204-63-61
Курск (4712)77-13-04
Липецк (4742)52-20-81
Магнитогорск (3519)55-03-13
Москва (495)268-04-70
Мурманск (8152)59-64-93
Набережные Челны (8552)20-53-41

Нижний Новгород (831)429-08-12
Новокузнецк (3843)20-46-81
Новосибирск (383)227-86-73
Орел (4862)44-53-42
Оренбург (3532)37-68-04
Пенза (8412)22-31-16
Пермь (342)205-81-47
Ростов-на-Дону (863)308-18-15
Рязань (4912)46-61-64
Самара (846)206-03-16
Санкт-Петербург (812)309-46-40
Саратов (845)249-38-78

Смоленск (4812)29-41-54
Сочи (862)225-72-31
Ставрополь (8652)20-65-13
Тверь (4822)63-31-35
Томск (3822)98-41-53
Тула (4872)74-02-29
Тюмень (3452)66-21-18
Ульяновск (8422)24-23-59
Уфа (347)229-48-12
Челябинск (351)202-03-61
Череповец (8202)49-02-64
Ярославль (4852)69-52-93