

NA343R

1U Rackmount Network Appliance Platform with Intel® Celeron® N3160 up to 2.24 GHz processor and 6 LANs



▲ Front view



▲ Rear view



Specifications

System	
CPU	Intel® Celeron® N3160 (Braswell) up to 2.24 GHz processor
Chipset	SoC Integrated
Memory	One DDR3L-1600 SO-DIMM up to 8 GB
BIOS	AMI 16 Mbits PnP Flash BIOS with function of BIOS redirected to COM port
Storage	1 x CFast™ 1 x 2.5" SATA HDD 1 x 3.5" SATA HDD (optional)
Network Interface	6 x 10/100/1000 Mbps Ethernet (Intel® i211)
I/O Interface	1 x console RJ-type connector 2 x USB connector 6 x RJ-45 connector
Watchdog Timer	255 stepping for system reset up to 8 stepping for LAN Bypass
USB	2 x USB 3.0 ports on front side
Other Features	LAN Bypass function through latch relay (one group), LCM for optional
Power Supply	Open frame 65W power
OS Compatibility	Win7/WES7/Win8/WE8S/Linux

Features

- Low power Intel® Celeron® N3160 up to 2.24 GHz quad-core processor (Braswell)
- Six 10/100/1000 Mbps Ethernet ports (Intel® i211)
- BIOS redirected to COM port
- Suitable for VPN, network bandwidth controller, firewall applications

Ordering Information

Standard

NA343R-D6GI-US (E26E343101)	1U rackmount network appliance with Intel® Celeron® N3160 (Braswell) processor and 6 GbE LAN ports
-----------------------------	--

optional

5916E552000E	DB9F- RJ-45 1.8M console cable for Cisco
--------------	--

* Specifications and certifications are based on options and may vary.

** Recommend ordering optional cable kit with first order.

Packing List

1 x power cord
1 x utility CD (user's manual and driver)

Mechanical/ Environmental

Form Factor	1U rackmount
LED	Power, HDD, LAN by-pass, programmable and Link/Act with Transfer rate (RJ-45)
Operating Temp.	0°C ~ +45°C (32°F ~ +113°F)
Storage Temp.	-20°C ~ +70°C (-4°F ~ +158°F)
Humidity	10% ~ 90% RH, non-condensing
Chassis Material	Steel
Dimensions	44 mm (1.73") (H) x 430 mm (16.93") (W) x 250 mm (9.84") (D)
Weight(net/gross)	7kg (15.43 lb)/ 8kg(17.64 lb)
Certification	FCC/CE

Архангельск (8182)63-90-72
Астана +7(7172)727-132
Белгород (4722)40-23-64
Брянск (4832)59-03-52
Владивосток (423)249-28-31
Волгоград (844)278-03-48
Вологда (8172)26-41-59
Воронеж (473)204-51-73
Екатеринбург (343)384-55-89
Иваново (4932)77-34-06
Ижевск (3412)26-03-58
Казань (843)206-01-48

Калининград (4012)72-03-81
Калуга (4842)92-23-67
Кемерово (3842)65-04-62
Киров (8332)68-02-04
Краснодар (861)203-40-90
Красноярск (391)204-63-61
Курск (4712)77-13-04
Липецк (4742)52-20-81
Магнитогорск (3519)55-03-13
Москва (495)268-04-70
Мурманск (8152)59-64-93
Набережные Челны (8552)20-53-41

Нижний Новгород (831)429-08-12
Новокузнецк (3843)20-46-81
Новосибирск (383)227-86-73
Орел (4862)44-53-42
Оренбург (3532)37-68-04
Пенза (8412)22-31-16
Пермь (342)205-81-47
Ростов-на-Дону (863)308-18-15
Рязань (4912)46-61-64
Самара (846)206-03-16
Санкт-Петербург (812)309-46-40
Саратов (845)249-38-78

Смоленск (4812)29-41-54
Сочи (862)225-72-31
Ставрополь (8652)20-65-13
Тверь (4822)63-31-35
Томск (3822)98-41-53
Тула (4872)74-02-29
Тюмень (3452)66-21-18
Ульяновск (8422)24-23-59
Уфа (347)229-48-12
Челябинск (351)202-03-61
Череповец (8202)49-02-64
Ярославль (4852)69-52-93

NA342R

1U Rackmount Network Appliance Platform with Intel® Celeron® Processor J1900 up to 2.42 GHz Processor and 6 LANs



▲ Front view



▲ Rear view



Specifications

System	
CPU	Intel® Celeron® processor J1900 (up to 2.42 GHz)
Chipset	SoC Integrated
Memory	One DDR3L-1600 SO-DIMM up to 8 GB
BIOS	AMI 16 Mbits PnP Flash BIOS with function of BIOS redirected to COM port
Storage	1 x CompactFlash™ type-II & 1 x 2.5" SATA HDD 2 x 2.5" SATA HDD (optional) 1 x 3.5" SATA HDD/half-size mSATA (optional)
Network Interface	6 x 10/100/1000 Mbps Ethernet (Intel® i211)
I/O Interface	1 x console RJ-type connector, 2 x USB connectors, 6 x RJ-45 connectors
Watchdog Timer	255 stepping for system reset up to 8 stepping for LAN Bypass
USB	1 x USB 2.0 & 1 x USB 3.0 port on front side
Other Features	LAN Bypass function through latch relay (one group), LCM for optional
Power Supply	Open frame 65W power
OS Compatibility	Win7/WES7/Win8/WE8S/Linux

Mechanical/ Environmental

Form Factor	1U rackmount
LED	Power, HDD, LAN by-pass, programmable and Link/Act with Transfer Rate (RJ-45)
Operating Temp.	0°C ~ +45°C (32°F ~ +113°F)
Storage Temp	-20°C ~ +70°C (-4°F ~ +158°F)
Humidity	10% ~ 90% RH, non-condensing
Chassis Material	Steel
Dimensions	44 mm (1.73") (H) x 430 mm (16.93") (W) x 250 mm (9.84") (D)
Weight	7 kg (15.43 lb)/8 kg(17.64 lb)
Certification	FCC / CE

Features

- Intel® Celeron® J1900 Bay Trail up to 2.42 GHz processor
- Six 10/100/1000 Mbps Ethernet ports (Intel® i211)
- BIOS redirected to COM port
- Suitable for VPN, network bandwidth controller, firewall applications

Ordering Information

Standard	
NA342R-D6GI-US (E26E342111)	1U rackmount network appliance with Intel® Celeron® processor J1900 (up to 2.42 GHz) and 6 GbE LAN ports

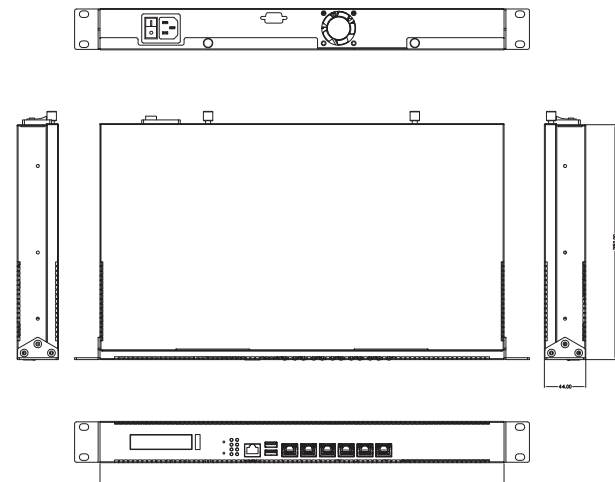
optional	
5916E552000E	DB9F- RJ45 1.8M console cable for cisco

* Specifications and certifications are based on options and may vary.
** Recommend ordering optional cable kit with first order.

Packing List

1 x power cord
1 x utility CD (user's manual and driver)

Dimensions



NA360

1U Rackmount Network Appliance Platform with Intel® Celeron® 725C Processor and up to 16 LANs



▲ Front view



▲ Rear view



Specifications

System	
CPU	Intel® Celeron® 725C processor
Chipset	Intel® DH8903CC
Memory	2 x DDR3-1333 DIMM sockets max. up to 16 GB ECC/ non-ECC memory (single channel)
BIOS	AMI 64 Mbits PnP Flash BIOS with function of BIOS redirected to COM port
Storage	2 x 2.5" SATA HDD / 1 x CompactFlash™, 1 x 3.5" SATA HDD / 1 CFast™ (optional)
Network Interface	8 x 10/100/1000Mbps Ethernet (Intel® i210) 1 expandable LAN module, up to 16 LAN ports (optional) (AX93316/AX93326/AX93322/AX93307/AX93317)
I/O Interface	1 x RS-232 (RJ-type connector), 2 x USB connectors, 8 x RJ-45 connectors
Watchdog Timer	255 stepping for system reset 8 stepping for LAN bypass
USB	2 x USB 2.0 ports on front side, rest are internal pin headers
Expansion Slot	1 x PCIe x8 (optional) 1 x PCIe Mini Card slot (optional)
Other Features	LAN bypass function through latch relay (2 pairs in default, up to 8 pairs LAN bypass)
Power Supply	270W ATX power supply
OS Compatibility	Linux Redhat Kernel

Mechanical/ Environmental

Form Factor	1U rackmount
LED	Power, HDD, Link/Act with transfer rate, LAN bypass, GPIO programmable (optional)
Operating Temp.	0° ~ +40°C (32°F ~ 104°F)
Storage Temp.	-20°C ~ +70°C (-4°F ~ +158°F)
Humidity	10% ~ 90% RH, non-condensing
Chassis Material	Steel
Dimensions	44mm (1.73") (H) x 430mm (16.84") (W) x 450mm (20.59") (D)
Weight (net/gross)	8.2 kg (18.08 lb)/ 9.8 kg (21.61 lb)
Certification	FCC/CE

Features

- Integrated with Sandy Bridge Gladden/ Ivy Bridge Gladden processors + Cave Creek chipset. Default is Intel® Celeron® 725C, other processors could be selected by optional requests
- Two DIMM sockets support up to 16 GB ECC/ non-ECC memory (DDR3-1333, single channel)
- Supports eight 10/100/1000Mbps Ethernet ports
- 2 groups LAN bypass function through latch relay (default)
- Supports Intel® QuickAssist Technology
- LAN module expansion supports copper and fiber (AX93316/AX93326/AX93322/AX93307/AX93317)
- Supports BIOS redirected to COM port
- Supports BIOS Quick Boot
- Suitable for VPN, network bandwidth controller, firewall applications

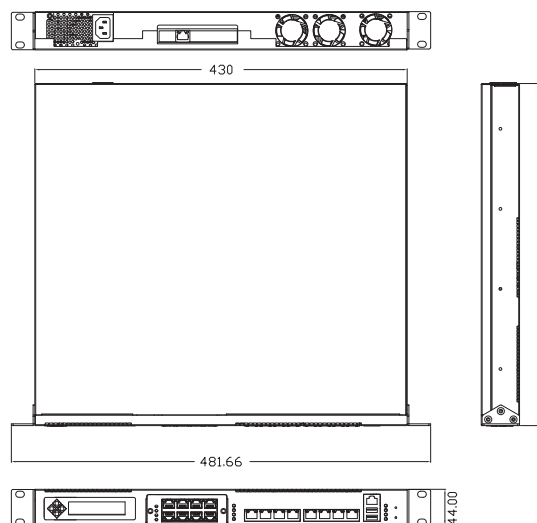
Ordering Information

Standard	
NA360-R8GI-725C (P/N: E26E360100)	1U network appliance with Intel® Celeron® 725C processor, 8 GbE LAN ports and 1 LAN module (optional)
Optional	
5916E552000E	DB9F-RJ45 1.8M console cable for Cisco

Packing List

1 x SATA cable
1 x utility CD (user's manual and driver)
1 x power cord

Dimensions



NA361R

1U rackmount Network Appliance Platform with Intel® Atom™ Rangeley Processor and 6 LANs



▲ Front view



▲ Rear view



Specifications

System	
CPU	Intel® Atom™ processor C2558 (4-core) 2.4 GHz/C2758 (8-core) 2.4 GHz for optional
Chipset	SoC Integrated
Memory	4 x DDR3-1600MHz UDIMM sockets max. up to 32 GB unbuffered non-ECC/ECC memory (Dual channel)
BIOS	AMI 64Mbits PnP Flash with function of BIOS redirected to COM port
Storage	2 x 2.5" SATA HDD / 1 x Compact Flash™ type-II, 1 x 3.5" SATA HDD/ 1 x CFast™ (optional)
Network Interface	6 x 10/100/1000Mbps Ethernet (Intel® i354 & Intel® i210) 4RJ+2SFP for optional 1 x LAN module (for optional), max. up to 14 LAN ports
I/O Interface	1 x RS-232 (RJ-type), 2 x USB connectors, 6 x RJ-45 connectors
Watchdog Timer	255 stepping for system reset 8 stepping for LAN bypass
USB	2 x USB 2.0 ports on rear side
Other Features	LAN bypass function through latch relay (two pairs)
Power Supply	Open frame
OS Compatibility	Yocto, Linux

Mechanical/ Environmental

Form Factor	1U rackmount
LED	Power, HDD, Link/Act with transfer rate
Operating Temp.	0° ~ +40°C (32°F ~ 104°F)
Storage Temp.	-20° ~ +70°C (-4°F ~ +158°F)
Humidity	10% ~ 90% RH, non-condensing
Chassis Material	Steel
Dimensions	44 mm (1.73") (H) x 430 mm (16.93") (W) x 250 mm (9.84") (D)
Weight (net/gross)	3.5 kg (7 lb)/ 4.5 kg (9 lb)
Certification	FCC class B/ CE class B

Features

- Intel® Rangeley SoC up to 2.4 GHz with 4M L2 cache processor
- Supports six 10/100/1000Mbps Ethernet ports (Intel® i354 & Intel® i210)
- Supports BIOS redirected to COM port feature
- Supports up to two 2.5" SATA2 HDD
- Supports Intel® QuickAssist Technology
- Supports Intel® DPDK enabling software
- Suitable for VPN, network bandwidth controller, firewall and UTM applications

Ordering Information

Standard	
NA361R-R6GI-US (P/N: E26E361102)	1U rackmount network security appliance with Intel® Atom™ processor C2558 and up to 6 GbE LAN ports

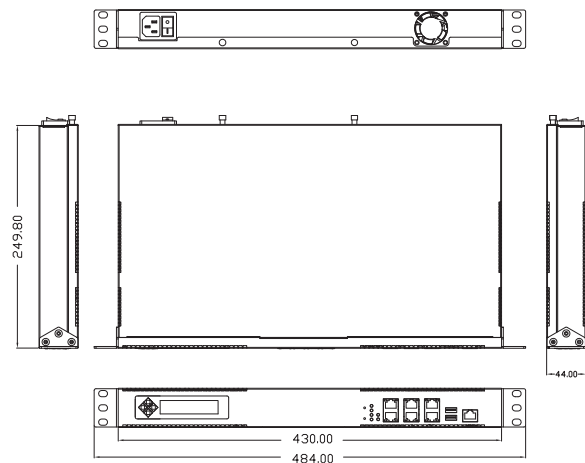
Optional	
5916E552000E	DB9F-RJ45 1.8M Console cable for Cisco

* Specifications and certifications are based on options and may vary.
** Recommend ordering optional cable kit with first order.

Packing List

1 x power cord
1 x utility CD (user's manual and driver)

Dimensions



NA510

1U Rackmount Network Appliance Platform
with LGA1156 Socket Intel® Core™
Processor and 8 LANs



▲ Front view



▲ Rear view



Introduction

The NA510 is a 1U rackmountable network hardware platform with featuring high performance and high density for VPN, firewall and other network security applications. It supports LGA1156 socket for Intel® i5-660/ i3-540/ G6960, i7-860/ i5-750 up to 8 GB un-buffer non-ECC DDR3-800/1066/1333 DIMM memory. For storing event log data, the NA510 utilizes two 2.5" SATA HDD or one 3.5" SATA HDD; limited support of SATA DOM as an option. It also supports two groups of LAN bypass through WDT and GPIO pin definition without any downtime.

Specifications

System

CPU	LGA1156 socket for Intel® i5-660/ i3-540/ G6960, i7-860/ i5-750 processors
Chipset	Intel® Q57
Memory	2 x DDR3-800/1066/1333 DIMM max. up to 8 GB (unbuffered non-ECC)
BIOS	Award 64 Mbit PnP Flash BIOS with function of BIOS redirected to COM port
Storage	2 x 2.5" SATA HDD / 1 x Compact Flash™ type-II, 1 x 3.5" SATA HDD/ DOM SATA2 type (optional)
Network Interface	8 x 10/100/1000Mbps Ethernet (Intel® 82574L, Intel® 82578DM)
I/O Interface	1 x console (RJ type), 2 x USB connector, 8 x RJ-45 connector for LAN
Watchdog Timer	255 stepping for porting
USB	2 x USB 2.0 port on front side, rest are internal pin headers
Expansion Slot	1 x 32bit/33MHz MiniPCI/1 x PCIe x8 slot
Other Features	LAN bypass function through WDT and GPIO pin Control (2 groups)
Power Supply	270W ATX power
Management Capability	Intel® AMT (Active Management Technology) 6.0 for remote control and diagnosis
OS Compatibility	Linux Red Hat 2.4 and 2.6, FreeBSD

Mechanical/ Environmental

Form Factor	1U rackmount
LED	Power, HDD, Link/Act with transfer rate (RJ-45)
Operating Temp.	0° ~ +45°C (32°F ~ 113°F)
Storage Temp.	-20°C ~ +70°C (-4°F ~ +158°F)
Humidity	10% ~ 95% RH, non-condensing
Chassis Material	Steel
Dimensions	44 mm (1.73") (H) x 430 mm (16.93") (W) x 394.4 mm (15.52") (D)
Weight (net/gross)	8.2 kg (17.64 lb)/9.8 kg (21.61 lb)
Certification	FCC class A/CE class A

Features

- LGA1156 socket type of processor as Intel® i5-660/ i3-540/ G6960, i7-860/ i5-750
- Supports eight 10/100/1000Mbps Ethernet ports (Intel® 82574L/82578DM)
- Supports unbuffer and non-ECC DDR3 memory up to 8GB
- Supports two 2.5" SATA HDD or one 3.5" SATA HDD for data or proxy
- Supports BIOS redirected to COM port
- Suitable for VPN, firewall and other network security applications

Ordering Information

Standard

NA-510-R8GI-RC (P/N: E26E510100)	1U high performance network appliance with LGA1156 socket for Intel® Clarkdale i5-660/i3-540/ G6960, Lynnfield i7-860/ i5-750 and 8 x 10/100/1000Mbps
-------------------------------------	---

Optional

CK9A104	Cable kit (P/N: 8816E320010E)
AX92101	VGA MiniPCI module
59416112100E	Cable DB9 (M) - RJ-45, L: 1.5M straight cable

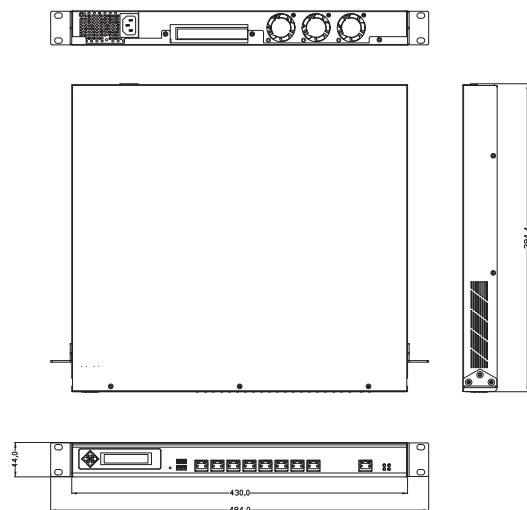
* Specifications and certifications are based on options and may vary.

** Recommend ordering optional cable kit with first order.

Packing List

1 x power cord
1 x SATA cable
1 x utility CD (user's manual and driver)
1 x RJ-45 to DB9 (F) 1.8M console cable (RC) cross cable

Dimensions



NA550

1U Rackmount Network Appliance Platform with LGA1155 Intel® Xeon® E3 Processor, Intel® C216 and up to 26 LANs



▲ Front view



▲ Rear view



Specifications

System	
CPU	LGA1155 socket for 3rd/2nd generation Intel® Xeon® E3 family processors, max 95 watt
Chipset	Intel® C216
Memory	4 x DDR3-1333 DIMM sockets max. up to 32 GB non-buffer non-ECC/ECC memory (dual channel)
BIOS	AMI 64 Mbit PnP Flash BIOS with function of BIOS redirected to COM port
Storage	1 x 2.5" SATA HDD / 1 x CFast™
Network Interface	14 x 10/100/1000Mbps Ethernet (default) 3 x LAN modules (for optional) up to 26 LAN ports
I/O Interface	1 x console (RJ-type connector), 2 x USB connectors, 14 x RJ-45 connector, 1 x VGA connector, 1 x PS/2 keyboard/mouse connectors (default)
Watchdog Timer	255 stepping for system reset 8 stepping for LAN bypass
USB	2 x USB 2.0 ports on front side, rest are internal pin headers
Expansion Slot (Optional)	1 x External PCI slot 1 x Mini PCI slot (32-bit/33 MHz)
Other Features	LAN bypass function through software program
Power Supply	300W ATX power supply
OS Compatibility	Linux Redhat Kernel 2.6

Mechanical/ Environmental

Form Factor	1U rackmount
LED	4 x GPO LED - (LED 1: green color, normal working; LED 2: green color; management; LED 3: yellow color; master/slave; LED 4: yellow color; Log). While the BIOS boots up, the LED should be light off. While it boots up successfully, these LEDs can be triggered and controlled by software.
Operating Temp.	0°C ~ 40°C (32°F ~ 104°F)
Storage Temp.	-20°C ~ +70°C (-4°F ~ +158°F)
Humidity	10% ~ 95% RH, non-condensing
Chassis Material	Steel
Dimensions	44 mm (1.73") (H) x 427.8 mm (16.84") (W) x 523 mm (20.59") (D)
Weight (net/gross)	8.32 kg (18.34 lb)/12.76 kg (28.13 lb)
Certification	FCC class A/CE class A

Features

- LGA1155 socket 3rd/2nd generation Intel® Xeon® E3 family processors
- Four DIMM sockets support up to 32 GB non-buffer non-ECC/ECC memory (DDR3-1333, dual channel)
- Supports LAN modules expansion
- Supports BIOS redirected to COM port
- Supports one 2.5" SATA HDD
- Suitable for VPN, network bandwidth controller, firewall applications

Ordering Information

Standard	
NA550-REGI-RC-US (P/N: E26E550100)	1U network appliance with LGA1155 socket for 3rd/2nd generation Intel® Core™ processors and 14 GbE LANs (AX93306-4GIL & AX93306-8GIL)
NA550-R2GI-RC-US (P/N: E26E550101)	1U network appliance with LGA1155 socket for 3rd/2nd generation Intel® Core™ processors and 2 GbE LANs

Optional	
59416112100E	Cable DB9 (M) - RJ-45, L: 1.5M straight cable
AX93306-4GI	4-port Gigabit copper module
AX93306-4GIL	4-port Gigabit copper module with LAN bypass
AX93306-4FI	4-port Gigabit SFP fiber module
AX93312-8FI	8-port Gigabit SFP fiber module
AX93306-8GI	8-port Gigabit copper module
AX93306-8GIL	8-port Gigabit copper module with LAN bypass
AX93306-8MI	4-port Gigabit copper & 4-port Gigabit SFP fiber module
AX93306-8MIL	4-port Gigabit copper & 4-port Gigabit SFP fiber module with LAN bypass

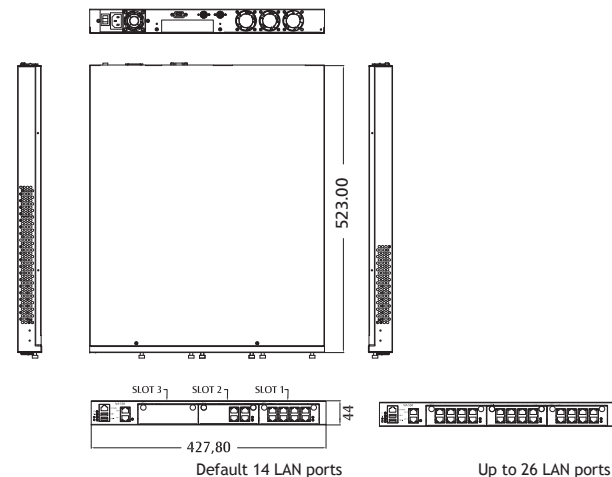
* Specifications and certifications are based on options and may vary.

** Recommend ordering optional cable kit with first order.

Packing List

1 x SATA cable
1 x utility CD (user's manual and driver)
1 x power cord

Dimensions



NA551

2U Rackmount Network Appliance Platform with LGA1155 Intel® Xeon® E3 Processor, Intel® C216, Two 3.5" Hot-swappable HDD and up to 26 LANs



▲ Front view



▲ Rear view



Specifications

System	
CPU	LGA1155 socket for 3rd/2nd Generation Intel® Xeon® E3 family processors
Chipset	Intel® C216
Memory	4 x DDR3-1333 DIMM sockets max. up to 32 GB non-buffer non-ECC/ECC memory (dual channel)
BIOS	AMI 64 Mbits PnP Flash BIOS with function of BIOS redirected to COM port
Storage	2 x 3.5" SATA HDD / 1 x CFast™
Network Interface	14 x 10/100/1000Mbps Ethernet ports (default) 3 x LAN modules (for optional) up to 26 LAN ports
I/O Interface	1 x console (RJ-type), 2 x USB connectors, 14 x RJ-45 connectors, 1 x VGA connector, 1 x PS/2 keyboard/mouse connector
Watchdog Timer	Up to 8 stepping for porting
USB	2 x USB 2.0 ports on front side, rest are internal pin headers
Expansion slot	1 x Mini PCI slot (32-bit/33 MHz)
Other Features	LAN bypass function through software program
Power Supply	300W redundant power supply
OS Compatibility	Linux Redhat Kernel 2.6

Mechanical/ Environmental

Form Factor	2U rackmount
LED	Power, HDD, Link/Act with transfer rate, LAN bypass, GPIO programmable (optional)
Operating Temp.	0°C ~ 40°C (32°F ~ 104°F)
Storage Temp.	-20°C ~ +70°C (-4°F ~ +158°F)
Humidity	10% ~ 95% RH, non-condensing
Chassis Material	Steel
Dimensions	88 mm (3.46") (H) x 427.8mm (16.92") (W) x 500 mm (19.68") (D)
Weight (net/gross)	14.52 kg (32.01 lb)/21.61 kg (47.64 lb)
Certification	FCC class A/CE class A

Features

- LGA1155 socket 3rd/2nd generation Intel® Xeon® E3 family processors
- Four DIMM sockets support up to 32 GB non-buffer non-ECC/ECC memory (DDR3-1333, dual channel)
- Supports diversified LAN modules expansion
- Supports redundant power
- Supports BIOS redirected to COM port
- Supports two front-accessible 3.5" SATA HDD
- Suitable for VPN, network bandwidth controller, firewall applications

Ordering Information

Standard	
NA551-REGI-RC-US (P/N: E26E551100)	2U network appliance with LGA1155 3rd/2nd generation Intel® Core™ processors, PSU 1+0 and 14 GbE LANs (AXP3306-4GIL & AXT3306-8GIL)
NA551-R2GI-RC-US (P/N: E26E551101)	2U network appliance with LGA1155 3rd/2nd generation Intel® Core™ processors, PSU 1+0 and 2 GbE LANs
NA551-R2GI-RC-US (P/N: E26E551102)	2U network appliance with LGA1155 3rd/2nd generation Intel® Core™ processors, PSU 1+1 and 2 GbE LANs

Optional

59416112100E	Cable DB9 (M) - RJ-45, L: 1.5M straight cable
AX93306-4GI	4-port Gigabit copper module
AX93306-4GIL	4-port Gigabit copper module with LAN bypass
AX93306-4FI	4-port Gigabit SFP fiber module
AX93306-8GI	8-port Gigabit copper module
AX93306-8GIL	8-port Gigabit copper module with LAN bypass
AX93306-8MI	4-port Gigabit copper & 4-port Gigabit SFP fiber module
AX93306-8MIL	4-port Gigabit copper & 4-port Gigabit SFP fiber module with LAN bypass
AX93312-8FI	8-port Gigabit SFP fiber module

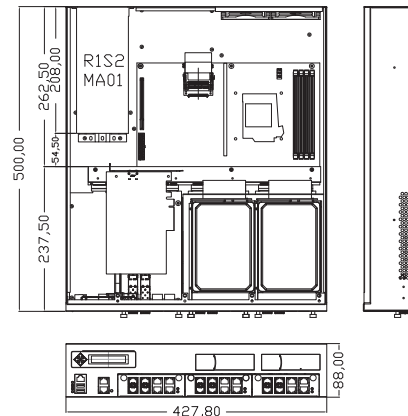
* Specifications and certifications are based on options and may vary.

** Recommend ordering optional cable kit with first order.

Packing List

1 x SATA Cable
1 x utility CD (user's manual and driver)
1 x power cord (PSU 1+0), 2 x power cord (PSU 1+1)
2 x HDD tray (w/ key)

Dimensions



NA552

1U Rackmount Network Appliance Platform
LGA1155 Intel® Xeon® E3 / Core™
processors, Intel® C216 and up to 26 LANs



▲ Front view



▲ Rear view



Specifications

System	
CPU	LGA1155 3rd/2nd generation Intel® Xeon® E3/ Core™ family processors
Chipset	Intel® C216
Memory	4 x DDR3-1333 DIMM sockets max. up to 32 GB unbuffered
BIOS	AMI 64Mbits PnP Flash with function of BIOS redirected to COM port
Storage	2 x 2.5" SATA HDDs / 1 x CFast™, 1 x 3.5" SATA HDD / 1 x Compact Flash™ (optional)
Network Interface	The default is 18 x 10/100/1000Mbps (Intel® i210AT/82580EB) and 4 group LAN bypass. Expandable up to 26 LAN ports via LAN modules
I/O Interface	1 x console RJ-type connector, 2 x USB connectors, 17 x RJ-45 connectors, 1 x VGA connector
Watchdog Timer	255 stepping for system reset 8 stepping for LAN bypass
USB	2 x USB 2.0 ports on front side, rest are internal pin headers
Expansion slot	1 x PCIe x4 slot (optional)
Other Features	LAN bypass function through software program
Power Supply	270W ATX power supply 1U redundant power supply (optional)
OS Compatibility	Linux Redhat Kernel

Mechanical/ Environmental

Form Factor	1U rackmount
LED	Power, HDD, Link/Act with transfer rate, GPIO
Operating Temp.	0° ~ +40°C (32°F ~ 104°F)
Storage Temp.	-20°C ~ +70°C (-4°F ~ +158°F)
Humidity	10% ~ 95% RH, non-condensing
Chassis Material	Steel
Dimensions	44 mm (1.73") (H) x 430 mm (16.84") (W) x 450mm (20.59") (D)
Weight (net/gross)	8.32 kg (18.34 lb)/12.76 kg (28.13 lb)
Certification	FCC class A / CE class A

Features

- LGA1155 socket 3rd/2nd Generation Intel® Xeon® E3/Core™ family processors
- Four DIMM sockets support up to 32 GB unbuffered non-ECC/ECC memory (DDR3-1333, dual channel)
- Supports diversified LAN modules expansion, 3 expandable LAN module slots support max. up to 26 LAN ports
- Supports 1U redundant power supply (optional)
- Supports BIOS redirected to COM port
- Suitable for VPN, network bandwidth controller, firewall applications
- Supports the Intel® Data Plane Development Kit (Intel® DPDK)

Ordering Information

Standard	
NA552-R2GI-FS-US (P/N: E26E552101)	1U network appliance with LGA1155 3rd/2nd generation Intel® Core™ processors and 2 GbE LANs
NA552-RIGI-FS-US (P/N: E26E552100)	1U network appliance with LGA1155 3rd/2nd generation Intel® Core™ processors and 18 GbE LANs

Optional	
5916E552000E	DB9F-RJ-45 1.8M console cable for Cisco
AX93316-8GI	8-port Gigabit copper module
AX93316-8GIL	8-port Gigabit copper module with LAN bypass
AX93322-8FI	8-port Fiber module
AX93322-8MIL	4-port Gigabit copper & 4-port Fiber module with LAN bypass
AX93336-4GI	4-port Gigabit copper module
AX93336-4GIL	4-port Gigabit copper module with LAN bypass
AX93336-4FI	4-port Fiber module
AX93307-2FI	2-port 10G Fiber module
AX93307-2FIL	2-port 10G Fiber module with LAN bypass
AX93317-2GIL	2-port 10G Base-T module with LAN bypass
AX93327-4FI	4-port 10G Fiber module

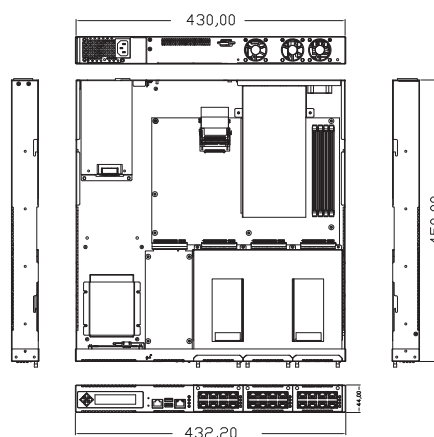
* Specifications and certifications are based on options and may vary.

** Recommend ordering optional cable kit with first order.

Packing List

1 x power cord
1 x SATA cable
1 x utility CD (user's manual and driver)

Dimensions



NA560

1U Rackmount Network Appliance Platform with LGA1155 Socket Intel® Core™ i7/i5/i3, Intel® H61/ B65 Chipset and up to 8 LANs



▲ Front view



▲ Rear view



Specifications

System	
CPU	LGA1155 socket for 3rd/2nd generation Intel® Xeon® E3/ Core™ i7/i5/i3 processors
Chipset	Intel® H61/ B65
Memory	4 x DDR3-1333 DIMM sockets max. up to 16 GB non-buffer non-ECC memory Single channel (Intel® H61) & dual channel (Intel® B65 max. up to 32 GB)
BIOS	AMI 64Mbits PnP Flash BIOS with function of BIOS redirected to COM port
Storage	2 x 2.5" SATA HDD / 1 x CompactFlash™, 1 x 3.5" SATA HDD / 1 x CFast™ (optional)
Network Interface	6 x 10/100/1000Mbps Ethernet (H61 PCH)/ 8 x 10/100/1000Mbps Ethernet (B65 PCH) (Intel® 82574L (default)/ Intel® 82583V (optional))
I/O Interface	1 x RS-232 (RJ-type connector), 2 x USB connector, 6 x RJ-45 connector (H61 PCH) / 8 x RJ-45 connector (B65 PCH)
Watchdog Timer	255 stepping for system reset 8 stepping for LAN bypass
USB	2 x USB 2.0 port on front side, rest are internal pin headers
Expansion Slot	1 x MiniPCI / 1 x PCIe x8
Other Features	LAN bypass (2 groups) function through latch relay
Power Supply	270W ATX power supply
OS Compatibility	Linux Redhat Kernel 2.6

Mechanical/ Environmental

Form Factor	1U rackmount
LED	Power, HDD, Link/Act with transfer rate, LAN bypass, GPIO programmable (optional)
Operating Temp.	0°C ~ +40°C (32°F ~ 104°F)
Storage Temp.	-20°C ~ +70°C (-4°F ~ +158°F)
Humidity	10% ~ 95% RH, non-condensing
Chassis Material	Steel
Dimensions	44 mm (1.73") (H) x 430 mm (16.93") (W) x 392.26 mm (15.43") (D)
Weight (net/gross)	8.2 kg (18.08 lb) / 9.8 kg (21.61 lb)
Certification	FCC class A / CE class A

Features

- LGA1155 socket 3rd/2nd generation Intel® Xeon® E3/ Core™ i7/i5/i3 processors
- Intel® H61/B65 chipset
- Supports up to 32 GB non-buffer non-ECC memory (DDR3-1333, single & dual channel)
- Supports six to eight 10/100/1000Mbps Ethernet ports (Intel® 82574L)
- Supports BIOS redirected to COM port
- Supports two 2.5" SATA HDD
- Supports BIOS Quick Boot
- Smart Fan for better thermal and acoustic performance

Ordering Information

Standard

NA560-L-R6GI-H61-CF-US (P/N: E26E560107)	1U rackmount network appliance with Intel® H61, 6 GbE LANs, CF, no PCIe expansion
NA560-L-R8GI-B65-CF-US (P/N: E26E560106)	1U rackmount network appliance with Intel® B65, 8 GbE LANs, CF, no PCIe expansion

Optional

CK9A104	Cable kit (P/N: 8816E320010E)
59416112100E	Cable DB9 (M) - RJ-45, L=1.5M straight cable

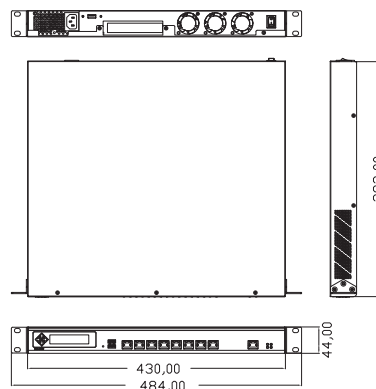
* Specifications and certifications are based on requirements and may vary.

** Recommend ordering the optional cable kit with first order.

Packing List

1 x SATA cable
1 x utility CD (user's manual and driver)
1 x power cord
1 x DB9F to RJ-45 1.8M console cable (RC)

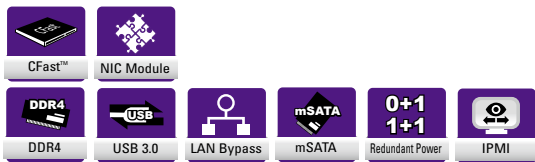
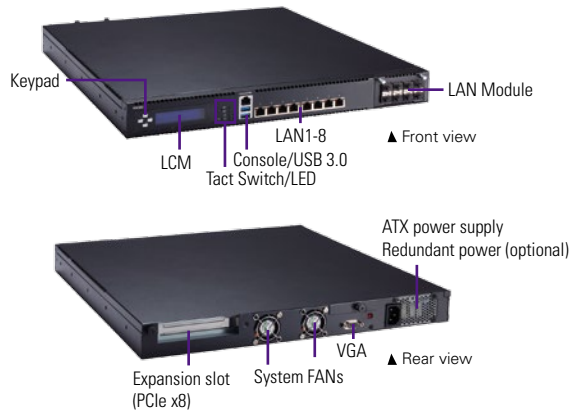
Dimensions



NA580

1U Rackmount Network Appliance Platform with LGA1151 Intel® Xeon® E3/Core™ Family Processor (Skylake) and 8 LANs

NEW



Specifications

System	
CPU	LGA1151 socket Intel® Xeon® E3/Core™ processor family
Chipset	Intel® C236/H110
Memory	4 x DDR4-2400 UDIMM non-ECC/ECC memory max. up to 64 GB (Intel® C236) 2 x DDR4-2400 UDIMM non-ECC/ECC memory max. up to 32 GB (Intel® H110)
BIOS	AMI SPI Flash BIOS
Storage	2 x 2.5" SATA HDD/1 x CFast™ 1 x 3.5" SATA HDD (optional for ATX power supply only) mSATA
Network Interface	8 x 10/100/1000 Mbps (Intel® i210) C236 PCH 6 x 10/100/1000 Mbps (Intel® i210) H110 PCH 10 x 10/100/1000 Mbps (Intel® i210) or 8 copper + 2SFP (C236) for optional 1 x LAN module (for optional), max up to 18 LAN ports
I/O Interface	1 x RS-232 (RJ-45 Type), 2 x USB 3.0, 8 x RJ-45 LAN ports
Watchdog Timer	System reset: 255 levels, 1-255 sec LAN bypass: 7 levels, 1-64 sec
Expansion Slot	2 x PCI Express Mini Card slot (optional) 1 x PCIe x8 slot (optional)
USB	2 x USB 3.0 port on front side
Other Features	LAN bypass function through latch relay two pairs (LBP1: Port3 and Port4 / LBP2: Port 5 and Port6)
Power Supply	ATX 270W power supply or 1U redundant 280W power supply (1+1) for optional
OS Compatibility	Linux Kernel 2.6.x
Mechanical/ Environmental	
Form Factor	1U rackmount
Indicate	Power, HDD, LAN bypass1-2, GPIO
Operating Temp.	0°C ~ 45°C (32°F ~113°F) (ATX Power Supply) 0°C ~ 40°C (32°F ~104°F) (Redundant Power Supply)
Storage Temp	-20°C ~ +70°C (-4°F ~ +158°F)
Humidity	10% ~ 90% RH, non-condensing
Chassis Material	Steel
Dimensions	44 mm (1.73") (H) x 430 mm (16.84") (W) x 450 mm (20.59") (D)
Weight	8.5 kg (18.74 lb)/9.8 kg (21.61 lb)
Certification	FCC class A / CE class A

Features

- LGA1151 Intel® Xeon® E3/Core™ family processor (Skylake)
- 4 DDR4-2400 UDIMM up to 64 GB memory (Intel® C236)
2 DDR4-2400 UDIMM up to 32 GB memory (Intel® H110)
- 8 GbE LAN ports, 1 expandable LAN module
- Two 2.5" SATA HDD (default) or one 3.5" SATA HDD
- ATX power supply, 1U redundant power supply for optional
- IPMI module for optional use

Ordering Information

Standard

NA580-R8GI-C236 (E26E580100)	LGA1151 Intel® Xeon® E3 / Core™ processor family, 8 GbE LANs, 2 pairs LAN bypass. 1 expandable LAN module (optional)
NA580-R6GI-H110 (E26E580101)	LGA1151 Intel® Core™ processor family, 6 GbE LANs, 2 pairs LAN bypass. 1 expandable LAN module (optional)

Optional

5916E552000E	DB9F- RJ45 1.8M CONSOLE CABLE FOR CISCO
--------------	---

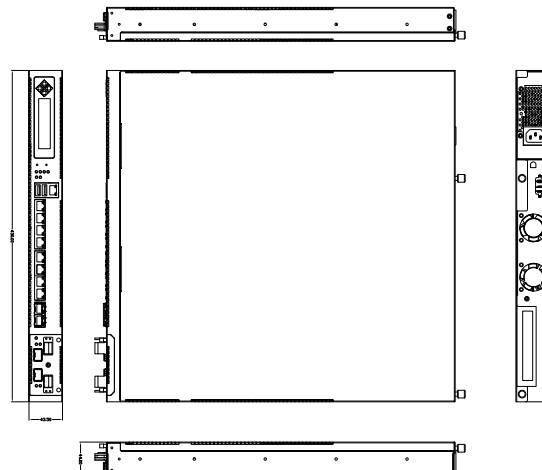
* Specifications and certifications are based on options and may vary.

** Recommend ordering optional cable kit with first order.

Packing List

1 x power cord
1 x utility CD (user's manual and driver)
2 x SATA Cable
1 x rackmount ear

Dimensions



NA850

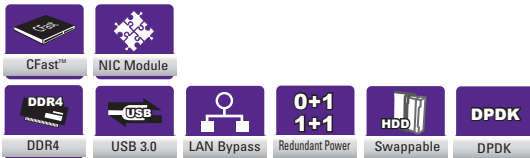
2U Rackmount Network Appliance Platform with Dual LGA2011 Intel® Xeon® E5-2600 v3 Family Processors, Intel® C612 and up to 42 LANs



▲ Front view



▲ Rear view



Specifications

System	
CPU	Dual LGA2011 Intel® Xeon® E5-2600 v3 family processors
Chipset	Intel® C612
Memory	16 x DDR4-2133/1866/1600/1333 RDIMM sockets max. up to 512 GB
BIOS	AMI 64Mbits PnP Flash with function of BIOS redirected to COM port
Storage	2 x 3.5" SATA HDD hot swappable/1 x Compact Flash™/1 x CFAST™ (optional)
Network Interface	2 x 10/100/1000 Mbps (Intel® i211) Expandable up to 42 LAN ports via 5 expandable LAN modules (dual CPUs only) Single CPU only supports 3 LAN modules from Slot 1~3
I/O Interface	1 x console RJ-type connector, 2 x USB connectors, 2 x RJ-45 connectors, 1 x VGA connector
Watchdog Timer	255 stepping for system reset 8 stepping for LAN bypass
USB	2 x USB 3.0 ports on front side, rest are internal pin headers
Expansion slot	2 x PCIe x16
Other Features	LAN bypass function through software program
Power Supply	2U redundant power supply (1+1) 650W
OS Compatibility	Linux Redhat Kernel

Mechanical/ Environmental

Form Factor	2U rackmount
LED	Power, HDD, Link/Act with transfer rate, GPIO
Operating Temp.	0° ~ +45°C (32°F ~ 113°F)
Storage Temp.	-20°C ~ +70°C (-4°F ~ +158°F)
Humidity	10% ~ 95% RH, non-condensing
Chassis Material	Steel
Dimensions	88 mm (3.46") (H) x 430 mm (16.92") (W) x 550 mm (21.65") (D)
Weight (net/gross)	8.32 kg (18.34 lb)/12.76 kg (28.13 lb)
Certification	FCC class A/ CE class A

Features

- LGA2011 Socket-R3 Intel® Xeon® E5-2600 v3 family processors
- Sixteen DIMM sockets support DDR4 RDIMM max. up to 512 GB (DDR4-2133/1866/1600/1333)
- Supports diversified LAN modules expansion 5 expandable LAN module slots (dual CPUs only) support max. up to 42 LAN ports
- Supports 2U redundant power supply
- Supports BIOS redirected to COM port
- High computing power for Firewall, VPN, Anti-Spam, Anti-Virus, Intrusion Detection Systems (IDS), Intrusion Prevention Systems (IPS), and Unified Threat Management (UTM)

Ordering Information

Standard

NA850-R2GI-RC-US (P/N: E26E850100)	2U network appliance with dual LGA2011 Intel® Xeon® E5-2600 v3 family processors and 2 GbE LAN ports
------------------------------------	--

Optional

5916E552000E	DB9F-RJ45 1.8M console cable for Cisco
AX93316-8GI	8-port Gigabit copper module
AX93316-8GIL	8-port Gigabit copper module with LAN bypass
AX93322-8FI	8-port Fiber module
AX93322-8MIL	4-port Gigabit copper & 4-port Fiber module with LAN bypass
AX93336-4GI	4-port Gigabit copper module
AX93336-4GIL	4-port Gigabit copper module with LAN bypass
AX93336-4FI	4-port Fiber module
AX93307-2FI	2-port 10G Fiber module
AX93307-2FIL	2-port 10G Fiber module with LAN bypass
AX93317-2GIL	2-port 10G Base-T module with LAN bypass
AX93327-4FI	4-port 10G Fiber module

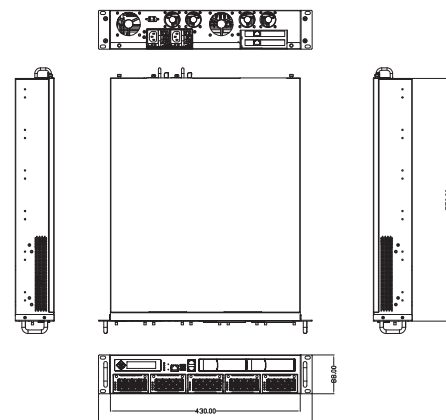
* Specifications and certifications are based on options and may vary.

** Recommend ordering optional cable kit with first order.

Packing List

1 x power cord
1 x SATA cable
1 x utility CD (user's manual and driver)

Dimensions



Архангельск (8182)63-90-72
Астана +7(7172)727-132
Белгород (4722)40-23-64
Брянск (4832)59-03-52
Владивосток (423)249-28-31
Волгоград (844)278-03-48
Вологда (8172)26-41-59
Воронеж (473)204-51-73
Екатеринбург (343)384-55-89
Иваново (4932)77-34-06
Ижевск (3412)26-03-58
Казань (843)206-01-48

Калининград (4012)72-03-81
Калуга (4842)92-23-67
Кемерово (3842)65-04-62
Киров (8332)68-02-04
Краснодар (861)203-40-90
Красноярск (391)204-63-61
Курск (4712)77-13-04
Липецк (4742)52-20-81
Магнитогорск (3519)55-03-13
Москва (495)268-04-70
Мурманск (8152)59-64-93
Набережные Челны (8552)20-53-41

Нижний Новгород (831)429-08-12
Новокузнецк (3843)20-46-81
Новосибирск (383)227-86-73
Орел (4862)44-53-42
Оренбург (3532)37-68-04
Пенза (8412)22-31-16
Пермь (342)205-81-47
Ростов-на-Дону (863)308-18-15
Рязань (4912)46-61-64
Самара (846)206-03-16
Санкт-Петербург (812)309-46-40
Саратов (845)249-38-78

Смоленск (4812)29-41-54
Сочи (862)225-72-31
Ставрополь (8652)20-65-13
Тверь (4822)63-31-35
Томск (3822)98-41-53
Тула (4872)74-02-29
Тюмень (3452)66-21-18
Ульяновск (8422)24-23-59
Уфа (347)229-48-12
Челябинск (351)202-03-61
Череповец (8202)49-02-64
Ярославль (4852)69-52-93