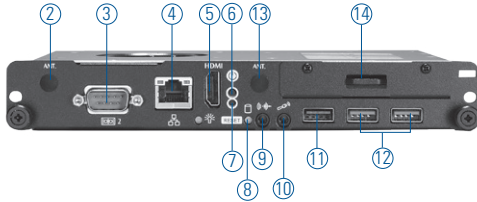


OPS500-501-H

Open Pluggable Specification (OPS) Digital Signage with 6th Generation Intel® Core™ i7/i5/i3 & Celeron® Processor and Intel® H110 Chipset



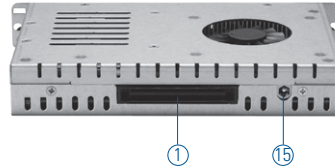
- | | | |
|---------------------|---------------------|-----------------------|
| 1. JAE TX-25 | 6. Power switch | 11. 1 x USB 2.0 |
| 2. Optional antenna | 7. Reset | 12. 2 x USB 3.0 |
| 3. RS-232 | 8. HDD indicator | 13. Optional antenna |
| 4. Ethernet | 9. Audio (Line-out) | 14. 2.5" SATA HDD |
| 5. HDMI output | 10. Audio (Mic-in) | 15. 12VDC power input |

Specifications

Main System	CPU	LGA1151 socket 6th generation Intel® Core™ and Celeron® processor (Skylake)
	Chipset	Intel® H110
	System Memory	1 x 260-pin DDR4-2133 SO-DIMM max. up to 16 GB
	Storage	1 x 2.5" SATA HDD tray 1 x mSATA (Option)
	Watchdog Timer	255 levels, 1-255 sec.
I/O	2 x USB 3.0	
	1 x USB 2.0	
	1 x 10/100/1000Mbps Ethernet (Intel® i219LM)	
	1 x HDMI with 4K resolution	
	1 x RS-232 (COM2)	
	1 x power on/off button	
	1 x reset button	
	1 x Audio (Line-out)	
	1 x Audio (Mic-in)	
	1 x DisplayPort (4K@60Hz via OPS JAE interconnector)	
	1 x HDMI 2.0 (4K@60Hz via OPS JAE interconnector)	
	2 x USB 2.0 (via OPS JAE interconnector)	
	1 x USB 3.0 (via OPS JAE interconnector)	
	1 x Audio (Line-out, via OPS JAE interconnector)	
	1 x UART (TX/RX, via OPS JAE interconnector) (COM1)	
1 x 12VDC PWR input by adapter option		
Indicator	1 x LED for system power ON	
	1 x LED for HDD active	
WiFi	Optional 802.11 b/g/n	
Expansion Slot	1 x full-size PCI Express Mini Card (USB+PCI Express+SATA Signal)	
Dimensions	200 mm (7.87") (W) x 119 mm (4.68") x 30 mm (1.18")	
Packing Dimension	270 mm (10.63") (W) x 197 mm (7.76") x 70mm (2.76")	
Weight (net/gross)	1 kg (2.21lb) / 1.5 kg (3.3 lb)	
Environmental	0°C ~ +45°C (+32°F ~ +113°F) (with airflow 1.2m/s)	

Features

- Intel® Open Pluggable Specification (OPS compliance)
- 6th generation Intel® Core™ i7/i5/i3 & Celeron® processor (Skylake)
- Supports DDR4-2133 SO-DIMM max. up to 16 GB
- Supports 1 PCI Express Mini Card
- Supports 4K@60Hz resolution
- Easy installation and maintenance
- HDMI for 2nd Ultra HD display



Optional OS Installation

Windows® 7, Windows® 8.1, Windows® 10

Ordering Information

Standard

OPS500-501-H OPS digital signage player with LGA1151 socket Intel® Core™ i7/i5/i3 & Celeron® processor

Optional

AX93167 OPS docking board with 4K solution
AX93190 OPS docking board with 4K/60Hz solution

Specifications and photos are based on options and may vary

Packing

- 1 x driver CD
- 1 x thermal grease
- 2 x M2 x 5 screw
- 2 x M4 x 6 screw

Архангельск (8182)63-90-72

Астана +7(7172)727-132

Белгород (4722)40-23-64

Брянск (4832)59-03-52

Владивосток (423)249-28-31

Волгоград (844)278-03-48

Вологда (8172)26-41-59

Воронеж (473)204-51-73

Екатеринбург (343)384-55-89

Иваново (4932)77-34-06

Ижевск (3412)26-03-58

Казань (843)206-01-48

Калининград (4012)72-03-81

Калуга (4842)92-23-67

Кемерово (3842)65-04-62

Киров (8332)68-02-04

Краснодар (861)203-40-90

Красноярск (391)204-63-61

Курск (4712)77-13-04

Липецк (4742)52-20-81

Магнитогорск (3519)55-03-13

Москва (495)268-04-70

Мурманск (8152)59-64-93

Набережные Челны (8552)20-53-41

Нижний Новгород (831)429-08-12

Новокузнецк (3843)20-46-81

Новосибирск (383)227-86-73

Орел (4862)44-53-42

Оренбург (3532)37-68-04

Пенза (8412)22-31-16

Пермь (342)205-81-47

Ростов-на-Дону (863)308-18-15

Рязань (4912)46-61-64

Самара (846)206-03-16

Санкт-Петербург (812)309-46-40

Саратов (845)249-38-78

Смоленск (4812)29-41-54

Сочи (862)225-72-31

Ставрополь (8652)20-65-13

Тверь (4822)63-31-35

Томск (3822)98-41-53

Тула (4872)74-02-29

Тюмень (3452)66-21-18

Ульяновск (8422)24-23-59

Уфа (347)229-48-12

Челябинск (351)202-03-61

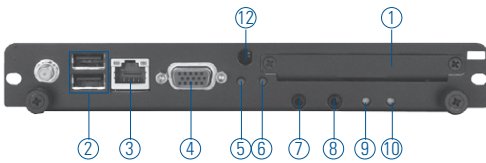
Череповец (8202)49-02-64

Ярославль (4852)69-52-93

OPS830

Intel® Atom™ Cedarview Open Pluggable Specification (OPS) Digital Signage Player

OPS830-D2550



- | | |
|------------------|-----------------------------|
| 1. 2.5" HDD Slot | 7. Audio (Line-out) |
| 2. USB 2.0 x 2 | 8. Audio (Mic-in) |
| 3. Ethernet | 9. Power indicator |
| 4. VGA | 10. HDD indicator |
| 5. Power switch | 11. JAE TX-25 |
| 6. Reset | 12. WiFi antenna (optional) |



Specifications

Main System	CPU	Intel® Atom™ D2550/N2600 processor
	Chipset	Intel® NM10
	System Memory	1 x 204-pin DDR3-1066 SO-DIMM max. up to 4 GB (D2550)
	Storage	1 x 2.5" SATA HDD tray
	BIOS	AMI UEFI BIOS
I/O	Watchdog Timer	255 levels, 1 ~ 255 sec.
	2 x USB 2.0	
	1 x 10/100/1000Mbps Ethernet	
	1 x VGA	
	1 x power on/off button	
	1 x reset button	
	1 x Audio (Line-out/ Mic-in)	
	1 x DVI/HDMI (via OPS JAE interconnector)	
	1 x DisplayPort (via OPS JAE interconnector) (Pure DP)	
	3 x USB 2.0 (via OPS JAE interconnector)	
1 x Audio (Line-out, via OPS JAE interconnector)		
1 x UART (TX/RX, via OPS JAE interconnector)		
Indicator	1 x LED for system power ON	
	1 x LED for HDD active	
WiFi	Supports 802.11 b/g/n (optional)	
Expansion Slot	1 x PCI Express Mini Card	
Dimensions	200 mm (7.87") (W) x 119 mm (4.68") x 30 mm (1.18")	
Packing Dimensions	270 mm (10.63") (W) x 197 mm (7.76") x 70 mm (2.76")	
Weight (net/gross)	1 kg (2.21lb)/1.5 kg (3.31lb)	
Environmental	0°C ~ +45°C (+32°F ~ +113°F) (with airflow 0.7 m/s) (OPS830-D2550)	
	0°C ~ +40°C (+32°F ~ +104°F) (with airflow 1.2 m/s) (OPS830-N2600)	

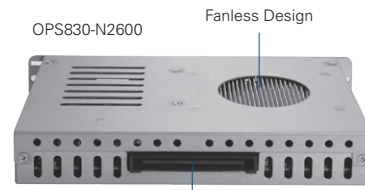
Packing

- 1 x driver CD
- 1 x HDD mylar x 1
- 1 x thermal grease
- 1 x thermal pad
- 2 x M3 x 4 screw
- 2 x M4 x 6 screw

Features

- Open Pluggable Specification (OPS) compliance
- Built-in Intel® Atom™ processor D2550/N2600 (fanless)
- DDR3-1066 SO-DIMM max. up to 4 GB by D2550
- PCIe Mini Card supported
- Easy maintenance: pluggable HDD and easy-to-change DRAM
- VGA connector

OPS830-N2600



▲ Rear view

Optional EOS Installation

Windows® 7 Embedded

Optional OS Installation

Windows® 7

Ordering Information

Standard

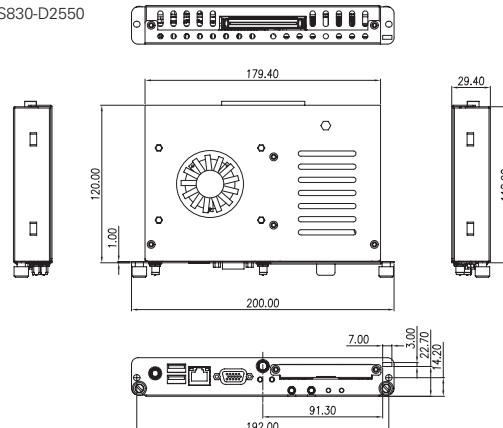
OPS830-D2550	OPS digital signage player supports Intel® Atom™ processor D2550
OPS830-N2600	Fanless OPS digital signage player supports Intel® Atom™ processor N2600

Optional

AX93157	OPS docking board
---------	-------------------

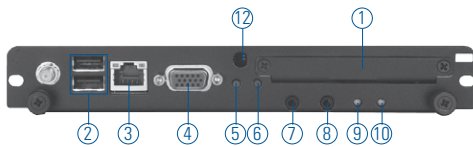
Dimensions

OPS830-D2550



OPS860

Socket G2 Intel® Core™ i7/i5/i3 processor
Open Pluggable Specification (OPS) Digital
Signage Player with Intel® QM67



- | | |
|------------------|-----------------------------|
| 1. 2.5" HDD Slot | 7. Audio (Line-out) |
| 2. USB 2.0 x 2 | 8. Audio (Mic-in) |
| 3. Ethernet | 9. Power indicator |
| 4. VGA | 10. HDD indicator |
| 5. Power switch | 11. JAE TX-25 |
| 6. Reset | 12. WiFi antenna (optional) |



Specifications

Main System	CPU	Socket G2 (rPGA988B) 2nd generation Intel® Core™ i7/i5/i3 processor (Sandy Bridge) (optional)
	Chipset	Intel® QM67
	System Memory	1 x DDR3-1333 SO-DIMM max. up to 8 GB
	Storage	1 x 2.5" SATA HDD tray
	BIOS	AMI UEFI BIOS with OA 3.0 built
	Watchdog Timer	255 levels, 1 ~ 255 sec.
IO	2 x USB 2.0	
	1 x 10/100/1000Mbps Ethernet	
	1 x VGA	
	1 x power on/off button	
	1 x reset button	
	1 x Audio (Line-out/ Mic-in)	
	1 x DVI/HDMI (via OPS JAE interconnector)	
	1 x DisplayPort (via OPS JAE interconnector) (Pure DP)	
	3 x USB 2.0 (via OPS JAE interconnector)	
	1 x Audio (Line-out, via OPS JAE interconnector)	
1 x UART (TX/RX via OPS JAE interconnector)		
Indicator	1 x LED for system power ON	
	1 x LED for HDD active	
WiFi	Supports 802.11 b/g/n (optional)	
Expansion Slot	1 x PCI Express Mini Card	
Dimensions	200 mm (7.87") (W) x 119 mm (4.68") x 30 mm (1.18")	
Packing Dimensions	270 mm (10.63") (W) x 197 mm (7.76") x 70 mm (2.76")	
Weight (net/gross)	1 kg (2.2 lb)/1.5 kg (3.3 lb)	
Environmental	0°C ~ +45°C (+32°F ~ +113°F) (with airflow 1.2m/s)	

Packing

1 x driver CD
1 x HDD mylar x 1
1 x thermal grease (syringe 1G)
2 x M3 x 4 screw
2 x M4 x 6 screw

Features

- Open Pluggable Specification (OPS) compliance
- Supports socket G2 (rPGA988B) 2nd Generation Intel® Core™ i7/i5/i3 processor
- Intel® QM67 chipset
- DDR3-1333 SO-DIMM max. up to 8 GB
- PCIe Express Mini Card
- Supports Intel® AMT (Active Management Technology) 7.0
- Easy maintenance: pluggable HDD and easy-to-change DRAM
- VGA connector



▲ Rear view

Optional EOS Installation

Windows® 7 Embedded

Optional OS Installation

Windows® XP, Windows® 7

Ordering Information

Standard

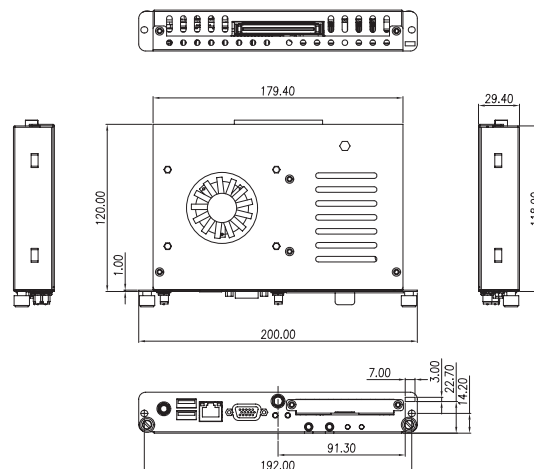
OPS860 OPS digital signage player supports socket G2 2nd generation Intel® Core™ processor
(P/N: E22M860100)

Optional

AX93157 OPS docking board

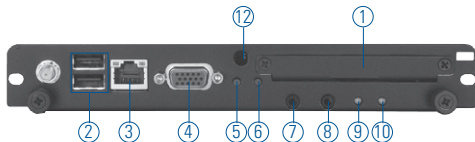
* Specification and certifications are based on options and may vary.

Dimensions



OPS860-HM

Socket G2 Intel® Core™ i5/i3 Open Pluggable Specification (OPS) Digital Signage Player with Intel® HM65



- | | |
|------------------|-----------------------------|
| 1. 2.5" HDD Slot | 7. Audio (Line-out) |
| 2. USB 2.0 x 2 | 8. Audio (Mic-in) |
| 3. Ethernet | 9. Power indicator |
| 4. VGA | 10. HDD indicator |
| 5. Power switch | 11. JAE TX-25 |
| 6. Reset | 12. WiFi antenna (optional) |



Specifications

Main System	CPU	Socket G2 (rPGA988B) 2nd generation Intel® Core™ i5/i3 processor
	Chipset	Intel® HM65
	System Memory	1 x DDR3-1333 SO-DIMM max. up to 4 GB
	Storage	1 x 2.5" SATA HDD tray
	BIOS	AMI UEFI BIOS with OA 3.0 built
	Watchdog Timer	255 levels, 1 ~ 255 sec.
IO	2 x USB 2.0	
	1 x 10/100/1000Mbps Ethernet	
	1 x VGA	
	1 x power on/off button	
	1 x reset button	
	1 x Audio (Line-out/ Mic-in)	
	1 x DVI/HDMI (via OPS JAE interconnector)	
	1 x DisplayPort (via OPS JAE interconnector) (Pure DP)	
	3 x USB 2.0 (via OPS JAE interconnector)	
	1 x Audio (Line-out, via OPS JAE interconnector)	
1 x UART (TX/RX via OPS JAE interconnector)		
Indicator	1 x LED for system power ON	
	1 x LED for HDD active	
WiFi	Supports 802.11 b/g/n (optional)	
Expansion Slot	1 x PCI Express Mini Card	
Dimensions	200 mm (7.87") (W) x 119 mm (4.68") x 30 mm (1.18")	
Packing Dimensions	270 mm (10.63") (W) x 197 mm (7.76") x 70 mm (2.76")	
Weight (net/gross)	1 kg (2.2 lb)/1.5 kg (3.3 lb)	
Environmental	0°C ~ +45°C (+32°F ~ +113°F) (with airflow 1.2m/s)	

Packing

- 1 x driver CD
- 1 x HDD mylar x 1
- 1 x thermal grease (syringe 1G)
- 2 x M3 x 4 screw
- 2 x M4 x 6 screw

Features

- Open Pluggable Specification (OPS) compliance
- Supports socket G2 (rPGA988B) 2nd generation Intel® Core™ i5/i3 processor
- Intel® HM65 chipset
- DDR3-1333 SO-DIMM max. up to 4 GB
- PCIe Mini Card supported
- Easy maintenance: pluggable HDD and easy-to-change DRAM
- VGA connector



▲ Rear view

Optional EOS Installation

Windows® 7 Embedded

Optional OS Installation

Windows® XP, Windows® 7

Ordering Information

Standard

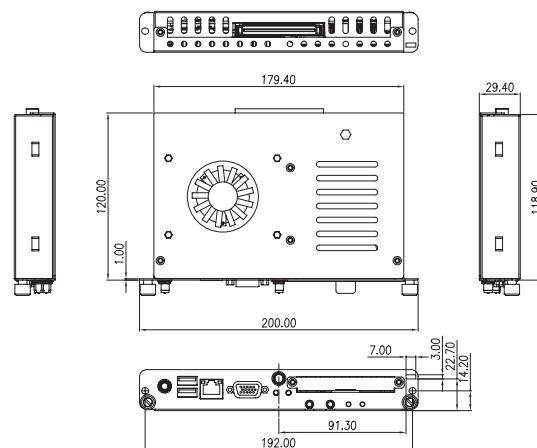
OPS860-HM OPS digital signage player supports socket G2 2nd generation Intel® Core™ processor

Optional

AX93157 OPS docking board

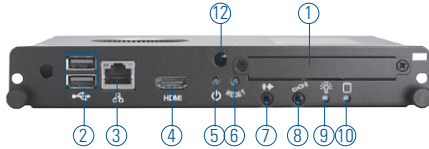
* Specification and certifications are based on options and may vary.

Dimensions



OPS870

Socket G2 Intel® Core™ i7/i5/i3 processor
Open Pluggable Specification (OPS) Digital
Signage Player with Intel® QM77



- | | |
|------------------|-----------------------------|
| 1. 2.5" HDD slot | 7. Audio (Line-out) |
| 2. USB 3.0 x 2 | 8. Audio (Mic-in) |
| 3. Ethernet | 9. Power indicator |
| 4. HDMI | 10. HDD indicator |
| 5. Power Switch | 11. JAE TX-25 |
| 6. Reset | 12. WiFi antenna (optional) |



Specifications

Main System	CPU	Socket G2 (rPGA988B) for 3rd generation Intel® Core™ i7/i5/i3 processor (Ivy Bridge)
	Chipset	Intel® QM77
	System Memory	1 x 204-pin DDR3-1600 SO-DIMM max. up to 8 GB
	Storage	1 x 2.5" SATA HDD tray
	BIOS	AMI UEFI BIOS with OA 3.0 built
	Watchdog Timer	255 levels, 1 ~ 255 sec.
	IO	2 x USB 3.0
1 x 10/100/1000Mbps Ethernet		
1 x Power on/off button		
1 x Reset button		
1 x HDMI		
1 x Audio (Line-out/Mic-in)		
1 x DisplayPort (via OPS JAE interconnector) (Pure DP)		
2 x USB 2.0 (via OPS JAE interconnector)		
1 x USB 3.0 (via OPS JAE interconnector)		
1 x HDMI/DVI (via OPS JAE interconnector)		
1 x Audio (Line-out, via OPS JAE interconnector)		
1 x UART (TX/RX, via OPS JAE interconnector)		
Indicator	1 x LED for system power ON	
	1 x LED for HDD active	
WiFi	Supports 802.11 b/g/n (optional)	
Expansion Slot	1 x PCI Express Mini Card (Optional for mSATA)	
Dimensions	200 mm (7.87") (W) x 119 mm (4.68") x 30 mm (1.18")	
Packing Dimensions	270 mm (10.63") (W) x 197 mm (7.76") x 70 mm (2.76")	
Weight (net/gross)	1 kg (2.2 lb)/1.5 kg (3.3 lb)	
Environmental	0°C ~ +54°C (+32°F ~ +130°F) (with airflow 0.7m/s) (i5/i3)	
	0°C ~ +45°C (+32°F ~ +113°F) (with airflow 1.2m/s) (i7)	

Packing

- 1 x driver CD
- 1 x HDD mylar x 1
- 1 x thermal grease (syringe 1G)
- 2 x M3 x 4 screw
- 2 x M4 x 6 screw

Features

- Open Pluggable Specification (OPS) compliance
- Supports socket G2 (rPGA988B) 3rd Generation Intel® Core™ i7/i5/i3 processor (Ivy Bridge)
- Intel® QM77 chipset
- DDR3-1600 SO-DIMM max. up to 8 GB
- Remote management: Intel® AMT (Active Management Technology) 8.0
- Easy maintenance: pluggable HDD and easy-to-change DRAM
- HDMI interface for 2nd display



▲ Rear view

Optional OS Installation

Windows® 7, Windows® 8.1

Ordering Information

Standard

OPS870 Intel® OPS digital signage player supports socket G2 3rd generation Intel® Core™ processor (P/N: E22M870101)

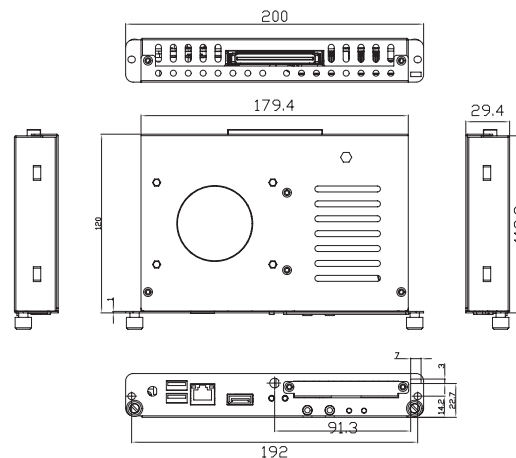
OPS870-B Intel® OPS digital signage player supports socket G2 3rd generation Intel® Core™ processor (Black) (P/N: E22M870102)

Optional

AX93157 OPS docking board

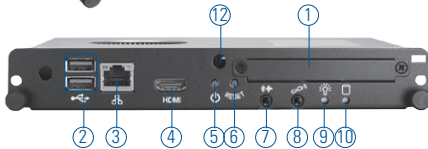
* Specification and certifications are based on options and may vary.

Dimensions



OPS870-HM

Socket G2 Intel® Core™ i5/i3 Open Pluggable Specification (OPS) Digital Signage Player with Intel® HM76



- | | |
|------------------|-----------------------------|
| 1. 2.5" HDD slot | 7. Audio (Line-out) |
| 2. USB 3.0 x 2 | 8. Audio (Mic-in) |
| 3. Ethernet | 9. Power indicator |
| 4. HDMI | 10. HDD indicator |
| 5. Power Switch | 11. JAE TX-25 |
| 6. Reset | 12. WiFi antenna (optional) |



Specifications

Main System	CPU	Socket G2 (rPGA988B) for 3rd generation Intel® Core™ i5/i3 processor (Ivy Bridge)
	Chipset	Intel® HM76
	System Memory	1 x 204-pin DDR3-1600 SO-DIMM max. up to 8 GB
	Storage	1 x 2.5" SATA HDD tray Supports 1 x mSATA (optional)
	BIOS	AMI UEFI BIOS with OA 3.0 built
	Watchdog Timer	255 levels, 1 ~ 255 sec.
IO	2 x USB 3.0	
	1 x 10/100/1000Mbps Ethernet	
	1 x Power on/off button	
	1 x Reset button	
	1 x HDMI	
	1 x Audio (Line-out/Mic-in)	
	1 x DisplayPort (via OPS JAE interconnector) (Pure DP)	
	2 x USB 2.0 (via OPS JAE interconnector)	
	1 x USB 3.0 (via OPS JAE interconnector)	
	1 x HDMI/DVI (via OPS JAE interconnector)	
1 x Audio (Line-out, via OPS JAE interconnector)		
1 x UART (TX/RX, via OPS JAE interconnector)		
Indicator	1 x LED for system power ON	
	1 x LED for HDD active	
WiFi	Supports 802.11 b/g/n (optional)	
Expansion Slot	1 x PCI Express Mini Card (optional for mSATA)	
Dimensions	200 mm (7.87") (W) x 119 mm (4.68") x 30 mm (1.18")	
Packing Dimensions	270 mm (10.63") (W) x 197 mm (7.76") x 70 mm (2.76")	
Weight (net/gross)	1 kg (2.2 lb)/1.5 kg (3.3 lb)	
Environmental	0°C ~ +54°C (+32°F ~ +130°F) (with airflow 0.7m/s)	

Packing

- 1 x driver CD
- 1 x HDD mylar x 1
- 1 x thermal grease (syringe 1G)
- 2 x M3 x 4 screw
- 2 x M4 x 6 screw

Features

- Open Pluggable Specification (OPS) compliance
- Supports socket G2 (rPGA988B) 3rd generation Intel® Core™ i5/i3 processor (Ivy Bridge)
- Intel® HM76 chipset
- DDR3-1600 SO-DIMM max. up to 8 GB
- USB 3.0, PCI Express Mini Card
- Easy maintenance: pluggable HDD and easy-to-change DRAM
- HDMI interface for 2nd display



▲ Rear view

Optional OS Installation

Windows® 7, Windows® 8.1

Ordering Information

Standard

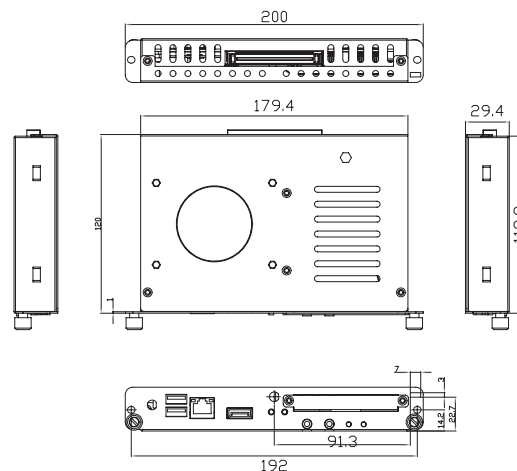
OPS870-HM OPS digital signage player supports socket G2 3rd generation Intel® Core™ processor (P/N: E22M870100)

Optional

AX93157 OPS docking board

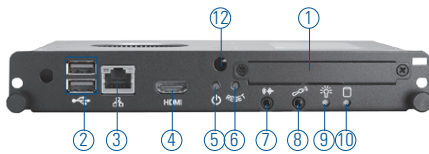
* Specification and certifications are based on options and may vary.

Dimensions



OPS871

Socket G2 Intel® Core™ i7/i5/i3 Open Pluggable Specification (OPS) Digital Signage Player with Intel® QM77 and TPM 1.2



- | | |
|------------------|-----------------------------|
| 1. 2.5" HDD slot | 7. Audio (Line-out) |
| 2. USB 3.0 x 2 | 8. Audio (Mic-in) |
| 3. Ethernet | 9. Power indicator |
| 4. HDMI | 10. HDD indicator |
| 5. Power Switch | 11. JAE TX-25 |
| 6. Reset | 12. WiFi antenna (optional) |



Specifications

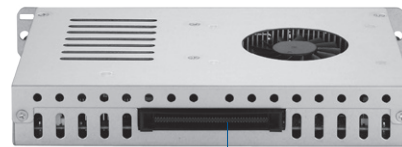
Main System	CPU	Socket G2 (rPGA988B) for 3rd generation Intel® Core™ i7/i5/i3 processor (Ivy Bridge)
	Chipset	Intel® QM77
	System Memory	1 x 204-pin DDR3-1600 SO-DIMM max. up to 8 GB
	Storage	1 x 2.5" SATA HDD tray
	BIOS	AMI UEFI BIOS with OA 3.0 built
	Watchdog Timer	255 levels, 1 ~ 255 sec.
IO	2 x USB 3.0	
	1 x 10/100/1000Mbps Ethernet	
	1 x Power on/off button	
	1 x Reset button	
	1 x HDMI	
	1 x Audio (Line-out/Mic-in)	
	1 x DisplayPort (via OPS JAE interconnector) (Pure DP)	
	2 x USB 2.0 (via OPS JAE interconnector)	
	1 x USB 3.0 (via OPS JAE interconnector)	
	1 x HDMI/DVI (via OPS JAE interconnector)	
1 x Audio (Line-out, via OPS JAE interconnector)		
1 x UART (TX/RX, via OPS JAE interconnector)		
Indicator	1 x LED for system power ON	
	1 x LED for HDD active	
WiFi	Supports 802.11 b/g/n (optional)	
Expansion Slot	1 x PCI Express Mini Card	
Dimensions	200 mm (7.87") (W) x 119 mm (4.68") x 30 mm (1.18")	
Packing Dimensions	270 mm (10.63") (W) x 197 mm (7.76") x 70 mm (2.76")	
Weight (net/gross)	1 kg (2.2 lb)/1.5 kg (3.3 lb)	
Environmental	0°C ~ +45°C (+32°F ~ +113°F) (with airflow 1.2m/s)	

Packing

1 x driver CD
1 x HDD mylar x 1
1 x thermal grease (syringe 1G)
2 x M3 x 4 screw
2 x M4 x 6 screw

Features

- Open Pluggable Specification (OPS) compliance
- Supports socket G2 (rPGA988B) 3rd generation Intel® Core™ i7/i5/i3 processor (Ivy Bridge)
- Intel® QM77 chipset
- DDR3-1600 SO-DIMM max. up to 8 GB
- Remote management: Intel® AMT (Active Management Technology) 8.0
- Easy maintenance: pluggable HDD and easy-to-change DRAM
- HDMI interface for 2nd display
- Supports TPM 1.2



▲ Rear view

Optional OS Installation

Windows® 7, Windows® 8.1

Ordering Information

Standard

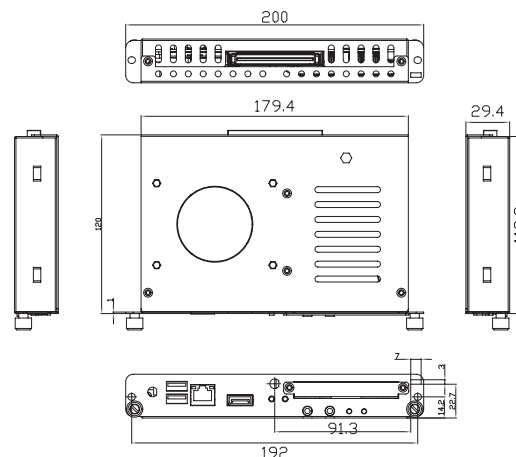
OPS871 Intel® OPS digital signage player supports socket G2 3rd generation Intel® Core™ processor
(P/N:E22M871100)

Optional

AX93157 OPS docking board

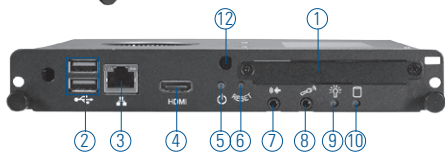
* Specification and certifications are based on options and may vary.

Dimensions



OPS871-HM

3rd Generation Intel® Core™ i5/i3 Open Pluggable Specification (OPS) Digital Signage Player with Intel® HM76 and TPM 1.2



- | | |
|------------------|-----------------------------|
| 1. 2.5" HDD slot | 7. Audio (Line-out) |
| 2. USB 3.0 x 2 | 8. Audio (Mic-in) |
| 3. Ethernet | 9. Power indicator |
| 4. HDMI | 10. HDD indicator |
| 5. Power Switch | 11. JAE TX-25 |
| 6. Reset | 12. WiFi antenna (optional) |



Specifications

Main System	CPU	Socket G2 (rPGA988B) for 3rd generation Intel® Core™ i5/i3 processors (Ivy Bridge)
	Chipset	Intel® HM76
	System Memory	1 x 204-pin DDR3-1600 SO-DIMM max. up to 8 GB
	Storage	1 x 2.5" SATA HDD tray
	BIOS	AMI UEFI BIOS with OA 3.0 built
	Watchdog Timer	255 levels, 1 ~ 255 sec.
IO	2 x USB 3.0	
	1 x 10/100/1000Mbps Ethernet	
	1 x Power on/off button	
	1 x Reset button	
	1 x HDMI	
	1 x Audio (Line-out/Mic-in)	
	1 x DisplayPort (via OPS JAE interconnector) (Pure DP)	
	2 x USB 2.0 (via OPS JAE interconnector)	
	1 x USB 3.0 (via OPS JAE interconnector)	
	1 x HDMI/DVI (via OPS JAE interconnector)	
1 x Audio (Line-out, via OPS JAE interconnector)		
1 x UART (TX/RX, via OPS JAE interconnector)		
Indicator	1 x LED for system power ON	
	1 x LED for HDD active	
WiFi	Supports 802.11 b/g/n (optional)	
Expansion Slot	1 x PCI Express Mini Card	
Dimensions	200 mm (7.87") (W) x 119 mm (4.68") x 30 mm (1.18")	
Packing Dimensions	270 mm (10.63") (W) x 197 mm (7.76") x 70 mm (2.76")	
Weight (net/gross)	1 kg (2.2 lb)/1.5 kg (3.3 lb)	
Environmental	0°C ~ +45°C (+32°F ~ +113°F) (with airflow 1.2m/s)	

Packing

- 1 x driver CD
- 1 x HDD mylar x 1
- 1 x thermal grease (syringe 1G)
- 2 x M3 x 4 screw
- 2 x M4 x 6 screw

Features

- Open Pluggable Specification (OPS) compliance
- Supports socket G2 (rPGA988B) 3rd generation Intel® Core™ i5/i3 processor (Ivy Bridge)
- Intel® HM76 chipset
- DDR3-1600 SO-DIMM max. up to 8 GB
- USB 3.0, PCI Express Mini Card
- Easy maintenance: pluggable HDD and easy-to-change DRAM
- HDMI interface for 2nd display
- Supports TPM 1.2



▲ Rear view

Optional OS Installation

Windows® 7, Windows® 8.1

Ordering Information

Standard

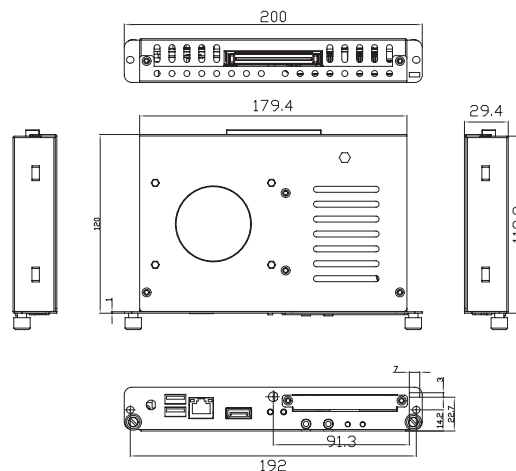
OPS871-HM (P/N:E22M871101)	OPS digital signage player supports socket G2 3rd generation Intel® Core™ processor
OPS871-HM-SF (P/N:E22M871102)	OPS digital signage player supports socket G2 3rd generation Intel® Core™ processor with smart fan

Optional

AX93157	OPS docking board
---------	-------------------

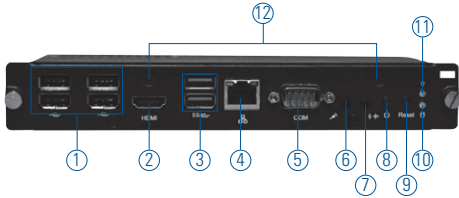
* Specification and certifications are based on options and may vary.

Dimensions



OPS875

Intel® Core™ i7/i5/i3 Open Pluggable Specification (OPS) Digital Signage Player



- | | | |
|----------------|---------------------|------------------------------|
| 1. USB 2.0 x 4 | 5. RS-232 | 9. Reset Button |
| 2. HDMI | 6. Audio (Mic-in) | 10. HDD Indicator |
| 3. USB 3.0 x 2 | 7. Audio (Line-out) | 11. Power Indicator |
| 4. Ethernet | 8. Power Switch | 12. Wi-Fi Antenna (optional) |
| | | 13. JAE TX-25 |



Specifications

Main System	CPU	Supports socket G2 (rPGA988B) for 3rd generation Intel® Core™ i7/i5/i3 processor
	Chipset	Intel® HM76
	System Memory	1 x 204-pin DDR3-1600 SO-DIMM max. up to 8 GB
	Storage	1 x 2.5" SATA HDD tray
	BIOS	AMI UEFI BIOS
	Watchdog Timer	255 levels, 1 ~ 255 sec.
	I/O	2 x USB 3.0
4 x USB 2.0		
1 x 10/100/1000Mbps Ethernet		
1 x Power on/off button		
1 x Reset button		
1 x HDMI		
1 x RS-232		
1 x Audio (Line-out/Mic-in)		
1 x DisplayPort (via OPS JAE interconnector) (Pure DP)		
2 x USB 2.0 (via OPS JAE interconnector)		
1 x USB 3.0 (via OPS JAE interconnector)		
1 x HDMI/DVI (via OPS JAE interconnector)		
1 x Audio (Line-out, via OPS JAE interconnector)		
1 x UART (TX/RX, via OPS JAE interconnector)		
Indicator	1 x LED for system power ON	
	1 x LED for HDD active	
WiFi	Supports 802.11 b/g/n (optional)	
Expansion Slot	1 x PCI Express Mini Card or mSATA	
Dimensions	200 mm (7.87") (W) x 119 mm (4.68") (D)	
	x 30 mm (1.18") (H)	
Packing Dimensions	270 mm (10.63") (W) x 197 mm (7.76") (D)	
	x 70 mm (2.76") (H)	
Weight (net/gross)	1 kg (2.2 lb)/1.5 kg (3.3 lb)	
Environmental	0°C ~ +45°C (32°F ~ 113°F) (With airflow 0.5m/s)	

Features

- Open Pluggable Specification (OPS) compliance
- Supports socket G2 (rPGA988B) 3rd generation Intel® Core™ i7/i5/i3 processor
- Intel® HM76
- DDR3-1600 SO-DIMM max. up to 8 GB
- USB 3.0, PCI Express Mini Card
- Easy maintenance: pluggable HDD and easy-to-change DRAM
- HDMI interface for 2nd display



▲ Rear view

Optional OS Installation

Windows® 7, Windows® 8

Ordering Information

Standard

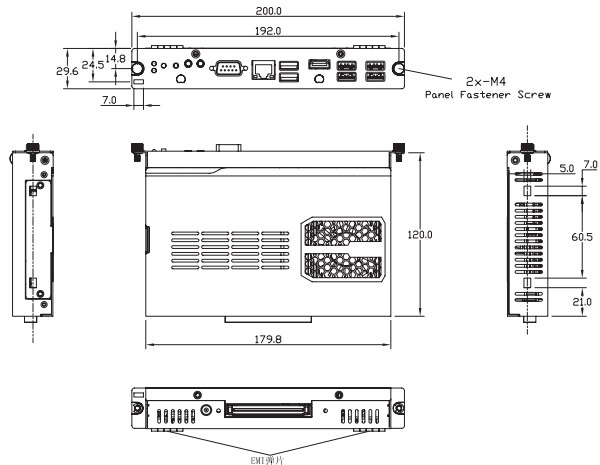
OPS875 OPS digital signage player supports socket G2 3rd generation Intel® Core™ processor

Optional

AX93169 OPS docking board

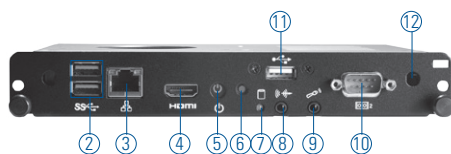
* Specifications and certifications are based on options and may vary.

Dimensions



OPS880

4th Generation Intel® Core™ Open Pluggable Specification (OPS) Digital Signage Player with Intel® QM87 and TPM 1.2



- | | |
|-----------------|----------------------|
| 1. JAE TX-25 | 7. HDD indicator |
| 2. USB 3.0 x 2 | 8. Audio (Line-out) |
| 3. Ethernet | 9. Audio (Mic-in) |
| 4. HDMI | 10. RS-232 |
| 5. Power switch | 11. USB 2.0 |
| 6. Reset | 12. Optional antenna |



Specifications

Main System	CPU	4th generation Intel® Core™ i7/i5/i3 processor (Haswell)
	Chipset	Intel® QM87
	System Memory	1 x 204 pin DDR3L-1600 SO-DIMM max. up to 8 GB
	Storage	1 x mSATA supported
	BIOS	AMI UEFI BIOS with OA 3.0 built
	Watchdog Timer	255 levels, 1 ~ 255 sec.
I/O	2 x USB 3.0	
	1 x USB 2.0	
	1 x 10/100/1000Mbps Ethernet	
	1 x HDMI	
	1 x RS-232 (COM 2)	
	1 x power on/off button	
	1 x reset button	
	1 x Audio (Line-out)	
	1 x Audio (Mic-in)	
	1 x DisplayPort (via OPS JAE interconnector) (Pure DP)	
	2 x USB 2.0 (via OPS JAE interconnector)	
	1 x USB 3.0 (via OPS JAE interconnector)	
	1 x HDMI/DVI (via OPS JAE interconnector)	
	1 x Audio (Line-out, via OPS JAE interconnector)	
	1 x UART (TX/RX, via OPS JAE interconnector) (COM1)	
Indicator	1 x LED for system power ON	
WiFi	Optional 802.11 b/g/n	
Expansion Slot	2 x full-size PCI Express Mini Card	
	1 x SIM slot	
Dimensions	200 mm (7.87") (W) x 119 mm (4.68") x 30 mm (1.18")	
Packing Dimensions	270 mm (10.63") (W) x 197 mm (7.76") x 70mm (2.76")	
Weight (net/gross)	1 kg (2.21 lb)/1.5 kg (3.3 lb)	
Environmental	0°C ~ +45°C (+32°F ~ +113°F) (with airflow 1.2m/s)	

Packing

- 1 x driver CD
- 1 x thermal grease
- 2 x M2 x 5 screw
- 2 x M4 x 6 screw

Features

- Open Pluggable Specification (OPS) compliance
- Supports 4th generation Intel® Core™ i7/i5/i3 processor (Haswell)
- Intel® QM87 chipset
- Supports DDR3L-1600 SO-DIMM 1600 max. up to 8 GB
- Supports 2 USB 3.0 ports
- 2 PCI Express Mini Card
- Remote management: Intel® AMT (Active Management Technology) 9.0
- HDMI interface for 2nd display
- Supports 4K resolution
- Supports TPM 1.2



▲ Rear view

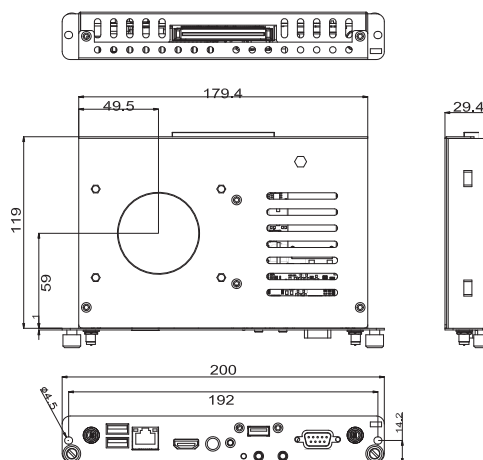
Optional OS Installation

Windows® 7, Windows® 8.1

Ordering Information

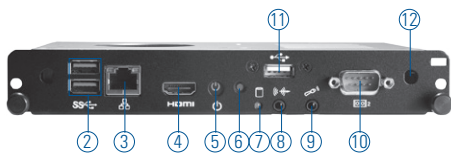
Standard	
OPS880-i3 (P/N:E22M880102)	OPS digital signage player supports 4th generation Intel® Core™ i3 processor onboard (i3-4100E)
OPS880-i5 (P/N:E22M880101)	OPS digital signage player supports 4th generation Intel® Core™ i5 processor onboard (i5-4400E)
OPS880-i7 (P/N:E22M880100)	OPS digital signage player supports 4th generation Intel® Core™ i7 processor onboard (i7-4700EQ)
Optional	
AX93157	OPS docking board
AX93167	OPS docking board with 4K solution

Dimensions



OPS880-HM

4th Generation Intel® Core™ Open Pluggable Specification (OPS) Digital Signage Player with Intel® HM86 and TPM 1.2



- | | |
|-----------------|----------------------|
| 1. JAE TX-25 | 7. HDD indicator |
| 2. USB 3.0 x 2 | 8. Audio (Line-out) |
| 3. Ethernet | 9. Audio (Mic.-in) |
| 4. HDMI | 10. RS-232 |
| 5. Power switch | 11. USB 2.0 |
| 6. Reset | 12. Optional antenna |



Specifications

Main System	CPU	4th generation Intel® Core™ i5/i3 processor (Haswell)
	Chipset	Intel® HM86
	System Memory	1 x 204-pin DDR3L-1600 SO-DIMM max. up to 8 GB
	Storage	1 x mSATA supported
	BIOS	AMI UEFI BIOS with OA 3.0 built
	Watchdog Timer	255 levels, 1 ~ 255 sec.
I/O	2 x USB 3.0	
	1 x USB 2.0	
	1 x 10/100/1000Mbps Ethernet	
	1 x HDMI	
	1 x RS-232 (COM 2)	
	1 x power on/off button	
	1 x reset button	
	1 x Audio (Line-out)	
	1 x Audio (Mic in)	
	1 x DisplayPort (via OPS JAE interconnector) (Pure DP)	
	2 x USB 2.0 (via OPS JAE interconnector)	
	1 x USB 3.0 (via OPS JAE interconnector)	
	1 x HDMI/DVI (via OPS JAE interconnector)	
1 x Audio (Line-out, via OPS JAE interconnector)		
1 x UART (TX/RX, via OPS JAE interconnector) (COM1)		
Indicator	1 x LED for system power ON	
WiFi	Optional 802.11 b/g/n	
Expansion Slot	2 x full-size Mini PCI Express Mini Card 1 x SIM slot	
Dimensions	200 mm (7.87") (W) x 119 mm (4.68") x 30 mm (1.18")	
Packing Dimension	270 mm (10.63") (W) x 197 mm (7.76") x 70mm (2.76")	
Weight (net/gross)	1 kg (2.21 lb)/1.5 kg (3.3 lb)	
Environmental	0°C ~ +45°C (+32°F ~ +113°F) (with airflow 1.2m/s)	

Packing

- 1 x driver CD
- 1 x thermal grease
- 2 x M2 x 5 screw
- 2 x M4 x 6 screw

Features

- Open Pluggable Specification (OPS) compliance
- Supports 4th generation Intel® Core™ i5/i3 processor (Haswell)
- Intel® HM86 chipset
- DDR3L-1600 SO-DIMM max. up to 8 GB
- Supports 2 USB 3.0 ports
- 2 PCI Express Mini Card
- HDMI interface for 2nd display
- Supports 4K resolution
- Supports TPM 1.2



▲ Rear view

Optional OS Installation

Windows® 7, Windows® 8.1

Ordering Information

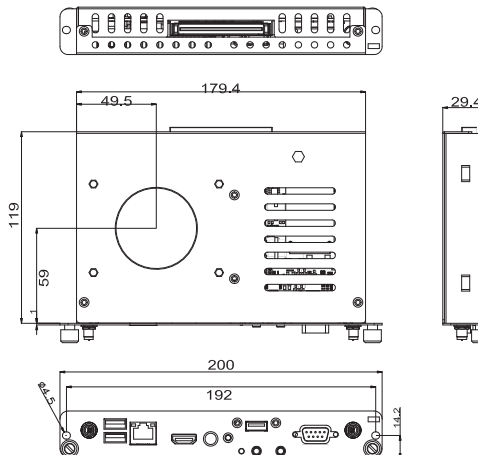
Standard

OPS880-HM-i3 (P/N:E22M880104)	OPS digital signage player supports 4th generation. Intel® Core™ i3 processor onboard (i3-4100E)
OPS880-HM-i5 (P/N:E22M880103)	OPS digital signage player supports 4th generation. Intel® Core™ i5 processor onboard (i5-4400E)

Optional

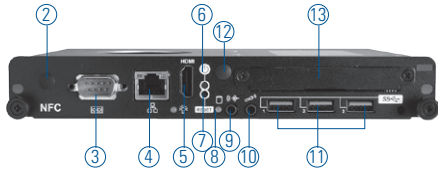
AX93157	OPS docking board
AX93167	OPS docking board with 4K solution

Dimensions



OPS882-HM

4th Generation Intel® Core™ i5 Processor
IPSS/OPS Digital Signage Player with
Intel® HM86, 4K2K and AVB (Audio Video
Bridging) 802.11AS



- | | | |
|-----------------|---------------------|------------------------|
| 1. JAE TX-25 | 6. Power Switch | 11. 3 x USB 3.0 |
| 2. Optional NFC | 7. Reset | 12. Optional Antenna |
| 3. RS-232 | 8. HDD indicator | 13. 2.5" SATA HDD tray |
| 4. Ethernet | 9. Audio (Line-out) | |
| 5. HDMI Output | 10. Audio (Mic.-in) | |



Specifications

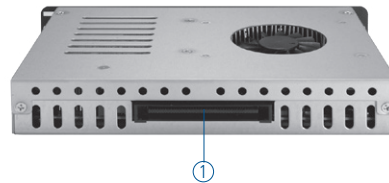
Main System	CPU	4th generation Intel® Core™ i5 processor (Haswell Refresh)
	Chipset	Intel® HM86
	System Memory	2 x 204-pin DDR3L-1600 SO-DIMM max. up to 16 GB
	Storage	1 x 2.5" SATA HDD tray
	Watchdog Timer	255 levels, 1-255 sec.
I/O	3 x USB 3.0	
	1 x 10/100/1000Mbps Ethernet (Intel® I210, supports AVB feature)	
	1 x HDMI	
	1 x RS-232 (COM2)	
	1 x power on/off button	
	1 x reset button	
	1 x Audio Line-out	
	1 x Audio Mic-in	
	1 x Display Port (via OPS JAE interconnector) (Pure DP)	
	2 x USB 2.0 (via OPS JAE interconnector)	
	1 x USB 3.0 (via OPS JAE interconnector)	
	1 x Audio (Line out, via OPS JAE interconnector)	
1 x UART (TX/RX, via OPS JAE interconnector)(COM1)		
Indicator	1 x LED for system power ON	
	1 x LED for HDD active	
WiFi	Optional 802.11 b/g/n	
Expansion Slot	1 x full-size PCI Express Mini card (Optional for mSATA or SIM slot)	
	1 x half-size PCI Express Mini card	
Dimensions	200 mm (7.87") (W) x 119 mm (4.68") x 30 mm (1.18")	
Packing Dimension	270 mm (10.63") (W) x 197 mm (7.76") x 70 mm (2.76")	
Weight (net/gross)	1 kg (2.21lb)/ 1.5 kg (3.3 lb)	
Environmental	0°C ~ +45°C (+32°F ~ +113°F) (with airflow 1.2 m/s)	

Packing

- 1 x Driver CD
- 1 x Thermal Grease
- 2 x M2 x 5 screw
- 2 x M4 x 6 screw

Features

- Open Pluggable Specification (OPS) compliance
- Supports 4th Generation Intel® Core™ i5 processor (Haswell Refresh)
- Intel® HM86 chipset
- 2 DDR3L-1600 SO-DIMM 1600 max. up to 16 GB
- Supports 3 USB 3.0 ports, 2 PCI Express Mini Card
- HDMI for 2nd display
- Supports 4K resolution
- Supports TPM 1.2
- Supports AVB (Audio Video Bridging) feature
- NFC feature (optional)



Optional OS Installation

- Windows® 7
- Windows® 8.1

Ordering Information

Standard

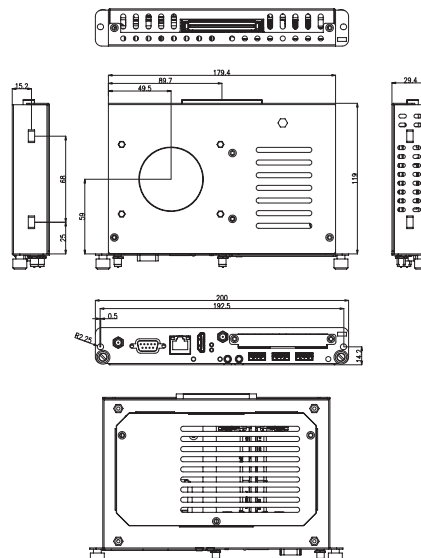
OPS882-HM-i5	OPS digital signage player 4th generation Intel® Core™ i5 processor onboard (i5-4410E)
--------------	--

Optional

AX93157	OPS docking board
AX93167	OPS docking board with 4K solution
NFC module	NFC Antenna module kit

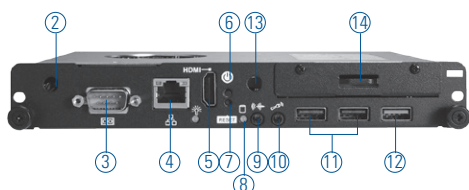
* Specifications and photos are based on options and may vary.

Dimensions



OPS883

4th Generation Intel® Core™ i7/i5/i3 & Celeron® Processor Open Pluggable Specification (OPS) Digital Signage Player with Intel® Q87 Chipset and TPM 1.2



- | | | |
|---------------------|--------------------|----------------------|
| 1. JAE TX-25 | 6. Power Switch | 11. 2 x USB 2.0 |
| 2. Optional Antenna | 7. Reset | 12. 1 x USB 3.0 |
| 3. RS-232 | 8. HDD indicator | 13. Optional Antenna |
| 4. Ethernet | 9. Audio(Line-out) | 14. 2.5" SATA HDD |
| 5. HDMI Output | 10. Audio(Mic-in) | |



Specifications

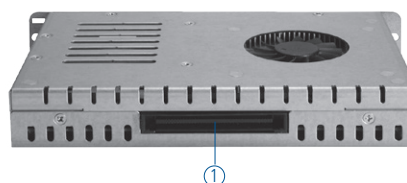
Main System	CPU	LGA1150 socket 4th generation Intel® Core™ processor (Haswell Refresh)
	Chipset	Intel® Q87
	System Memory	1 x 204 pin DDR3-1600 SO-DIMM max. up to 8 GB
	Storage	1 x 2.5" SATA HDD tray 1 x mSATA (Option)
	Watchdog Timer	255 levels, 1-255 sec.
I/O	2 x USB 2.0	
	1 x USB 3.0	
	1 x 10/100/1000Mbps Ethernet	
	1 x HDMI with 4K Resolution	
	1 x RS-232 (COM2)	
	1 x power on/off button	
	1 x reset button	
	1 x Audio (Line-out)	
	1 x Audio (Mic-in)	
	1 x Display Port (via OPS JAE interconnector)	
	2 x USB 2.0 (via OPS JAE interconnector)	
	1 x USB 3.0 (via OPS JAE interconnector)	
	1 x Audio (Line out, via OPS JAE interconnector)	
1 x UART (TX/RX, via OPS JAE interconnector) (COM1)		
Indicator	1 x LED for system power ON	
	1 x LED for HDD active	
WiFi	Optional Wi-Fi module	
Expansion Slot	1 x full-size PCI Express Mini card (USB+PCI Express Signal)	
Dimensions	200 mm (7.87") (W) x 119 mm (4.68") x 30 mm (1.18")	
Packing Dimension	270 mm (10.63") (W) x 197 mm (7.76") x 70mm (2.76")	
Weight (net/gross)	1 kg (2.21lb)/ 1.5 kg (3.3 lb)	
Environmental	0°C ~ +45°C (+32°F ~ +113°F) (with airflow 1.2m/s)	

Packing

- 1 x driver CD
- 1 x thermal grease
- 2 x M2 x 5 screw
- 2 x M4 x 6 screw

Features

- Intel® Open Pluggable Specification (OPS) compliance
- 4th Generation Intel® Core™ i7/i5/i3 & Celeron® processor (Haswell Refresh)
- Supports DDR3-1600 SO-DIMM max. up to 8 GB
- Supports 1 PCI Express Mini Card
- Supports TPM 1.2
- Easy installation and maintenance
- HDMI for 2nd display w/4K resolution
- Intel®AMT 9.0 supported



Optional OS Installation

Windows® 7, Windows® 8.1

Ordering Information

Standard

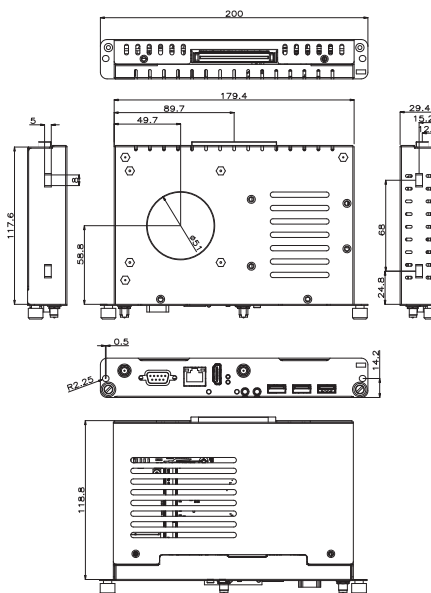
OPS883 OPS digital signage player supports LGA1150 socket Intel® Core™ i7/i5/i3 & Celeron® processor with iAMT feature

Optional

AX93167 OPS docking board with 4K solution

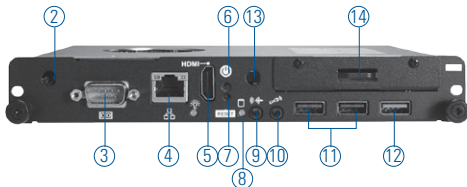
* Specifications and photos are based on options and may vary

Dimensions



OPS883-H

4th Generation Intel® Core™ i7/i5/i3 & Celeron® Processor Open Pluggable Specification (OPS) Digital Signage Player with Intel® H81 and TPM 1.2



- | | | |
|---------------------|--------------------|----------------------|
| 1. JAE TX-25 | 6. Power Switch | 11. 2 x USB 2.0 |
| 2. Optional Antenna | 7. Reset | 12. 1 x USB 3.0 |
| 3. RS-232 | 8. HDD indicator | 13. Optional Antenna |
| 4. Ethernet | 9. Audio(Line-out) | 14. 2.5" SATA HDD |
| 5. HDMI Output | 10. Audio(Mic-in) | |



Specifications

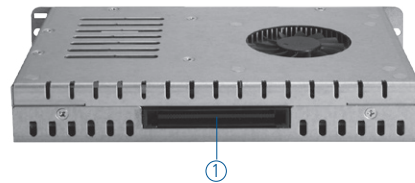
Main System	CPU	LGA1150 socket 4th generation Intel® Core™ i7/i5/i3 & Celeron® processor (Haswell Refresh)
	Chipset	Intel® H81
	System Memory	1 x 204 pin DDR3-1600 SO-DIMM max. up to 8 GB
	Storage	1 x 2.5" SATA HDD tray
I/O	Watchdog Timer	255 levels, 1-255 sec.
		2 x USB 2.0
		1 x USB 3.0
		1 x 10/100/1000Mbps Ethernet
		1 x HDMI with 4K Resolution
		1 x RS-232 (COM2)
		1 x power on/off button
		1 x reset button
		1 x Audio (Line-out)
		1 x Audio (Mic-in)
		1 x Display Port (via OPS JAE interconnector)
		2 x USB 2.0 (via OPS JAE interconnector)
	1 x USB 3.0 (via OPS JAE interconnector)	
	1 x Audio (Line out, via OPS JAE interconnector)	
	1 x UART (TX/RX, via OPS JAE interconnector) (COM1)	
Indicator		1 x LED for system power ON 1 x LED for HDD active
WiFi		Optional 802.11 b/g/n
Expansion Slot		1 x full-size PCI Express Mini card (USB+PCI Express Signal)
Dimensions		200 mm (7.87") (W) x 119 mm (4.68") x 30 mm (1.18")
Packing Dimension		270 mm (10.63") (W) x 197 mm (7.76") x 70mm (2.76")
Weight (net/gross)		1 kg (2.21lb)/ 1.5 kg (3.3 lb)
Environmental		0°C ~ +45°C (+32°F ~ +113°F) (with airflow 1.2m/s)

Packing

- 1 x driver CD
- 1 x thermal grease
- 2 x M2 x 5 screw
- 2 x M4 x 6 screw

Features

- Intel® Open Pluggable Specification (OPS) compliance
- 4th generation Intel® Core™ i7/i5/i3 & Celeron® processor (Haswell Refresh)
- Supports DDR3-1600 SO-DIMM 1600 max. up to 8 GB
- Supports 1 PCI Express Mini Card
- Supports 4K resolution
- Supports TPM 1.2
- Easy Installation and maintenance
- HDMI for 2nd display



Optional OS Installation

Windows® 7, Windows® 8.1

Ordering Information

Standard

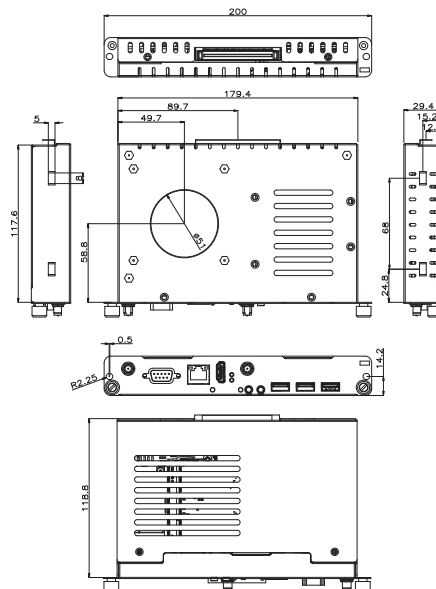
OPS883-H OPS digital signage player supports LGA1150 socket Intel® Core™ i7/i5/i3 & Celeron® processor

Optional

AX93167 OPS docking board with 4K solution

* Specifications and photos are based on options and may vary

Dimensions



OPS885

4th Generation Intel® Core™ i5 Intelligent Pluggable System Specification (IPSS)
Digital Signage Player with Intel® QM87, AMT 9.0 and TPM 1.2



- | | | |
|-----------------|---------------------|-----------------------------|
| 1. USB 3.0 x 2 | 5. Reset | 9. RS-232 |
| 2. Ethernet | 6. HDD indicator | 10. USB 2.0 |
| 3. HDMI | 7. Audio (Line-out) | 11. WiFi antenna (optional) |
| 4. Power switch | 8. Audio (Mic-in) | 12. JAE TX-25 |



Specifications

Main System	CPU	4th generation Intel® Core™ (Haswell) i5-4400E processor onboard
	Chipset	Intel® QM87
	System Memory	1 x 204 pin DDR3L-1600 SO-DIMM max. up to 8 GB
	Storage	1 x mSATA
	BIOS	AMI UEFI BIOS with OA 3.0 built
	Watchdog Timer	255 levels, 1 ~ 255 sec.
I/O	2 x USB 3.0	
	1 x USB 2.0	
	1 x 10/100/1000Mbps Ethernet	
	1 x HDMI	
	1 x RS-232 (COM 2)	
	1 x power on/off button	
	1 x reset button	
	1 x Audio (Line-out)	
	1 x Audio (Mic-in)	
	1 x DisplayPort (via OPS JAE interconnector) (Pure DP)	
	2 x USB 2.0 (via OPS JAE interconnector)	
	1 x USB 3.0 (via OPS JAE interconnector)	
	1 x HDMI/DVI (via OPS JAE interconnector)	
1 x Audio (Line-out, via OPS JAE interconnector)		
1 x UART (TX/RX, via OPS JAE interconnector) (COM 1)		
Indicator	1 x LED for system power ON	
WiFi	Optional 802.11 b/g/n	
Expansion Slot	2 x full-size PCI Express Mini Card 1 x SIM slot	
Dimensions	200 mm (7.87") (W) x 119 mm (4.68") x 30 mm (1.18")	
Packing Dimensions	270 mm (10.63") (W) x 197 mm (7.76") x 70 mm (2.76")	
Weight (net/gross)	1 kg (2.21lb)/1.5kg (3.3 lb)	
Environmental	0° ~ +45°C (+32°F ~ +113°F) (with airflow 1.2m/s)	

Packing

1 x driver CD
1 x thermal grease
2 x M2 x 3 screw
2 x M3 x 4 screw
2 x M4 x 10 screw
2 x thermal Pad

Features

- Open Pluggable Specification (OPS) compliance
- Supports 4th generation Intel® Core™ (Haswell) i5-4400E processor onboard
- Intel® QM87 chipset
- Supports DDR3L-1600 SO-DIMM 1600 max. up to 8 GB
- Supports 2 USB 3.0 ports, 2 PCI Express Mini Card slots
- Intel® AMT (Active Management Technology) 9.0
- HDMI for 2nd display
- Supports 4K resolution
- Supports TPM 1.2
- Supports Intel® RCM (Retail Client Manager)



Optional OS Installation

Windows® 7, Windows® 8.1

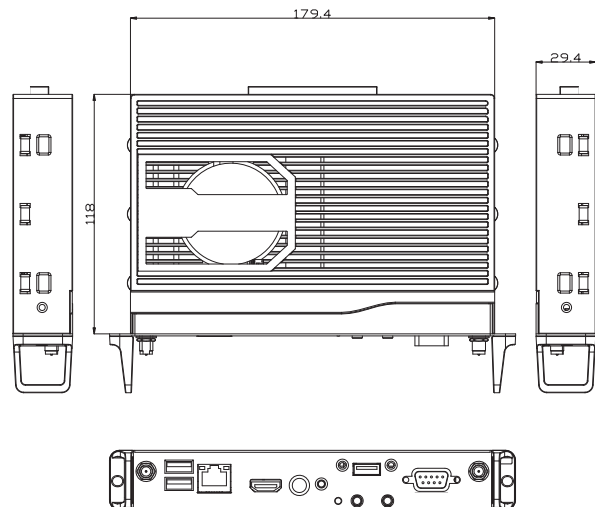
Ordering Information

Standard	
OPS885	IPSS/OPS digital signage player with 4th generation Intel® Core™ i5-4400E (3M Cache, up to 3.30 GHz) processor onboard
(P/N:E22M885100)	

Optional	
AX93157	OPS docking board
AX93167	OPS docking board with 4K resolution support

* Specifications and photos are based on options and may vary.

Dimensions



Архангельск (8182)63-90-72
Астана +7(7172)727-132
Белгород (4722)40-23-64
Брянск (4832)59-03-52
Владивосток (423)249-28-31
Волгоград (844)278-03-48
Вологда (8172)26-41-59
Воронеж (473)204-51-73
Екатеринбург (343)384-55-89
Иваново (4932)77-34-06
Ижевск (3412)26-03-58
Казань (843)206-01-48

Калининград (4012)72-03-81
Калуга (4842)92-23-67
Кемерово (3842)65-04-62
Киров (8332)68-02-04
Краснодар (861)203-40-90
Красноярск (391)204-63-61
Курск (4712)77-13-04
Липецк (4742)52-20-81
Магнитогорск (3519)55-03-13
Москва (495)268-04-70
Мурманск (8152)59-64-93
Набережные Челны (8552)20-53-41

Нижний Новгород (831)429-08-12
Новокузнецк (3843)20-46-81
Новосибирск (383)227-86-73
Орел (4862)44-53-42
Оренбург (3532)37-68-04
Пенза (8412)22-31-16
Пермь (342)205-81-47
Ростов-на-Дону (863)308-18-15
Рязань (4912)46-61-64
Самара (846)206-03-16
Санкт-Петербург (812)309-46-40
Саратов (845)249-38-78

Смоленск (4812)29-41-54
Сочи (862)225-72-31
Ставрополь (8652)20-65-13
Тверь (4822)63-31-35
Томск (3822)98-41-53
Тула (4872)74-02-29
Тюмень (3452)66-21-18
Ульяновск (8422)24-23-59
Уфа (347)229-48-12
Челябинск (351)202-03-61
Череповец (8202)49-02-64
Ярославль (4852)69-52-93