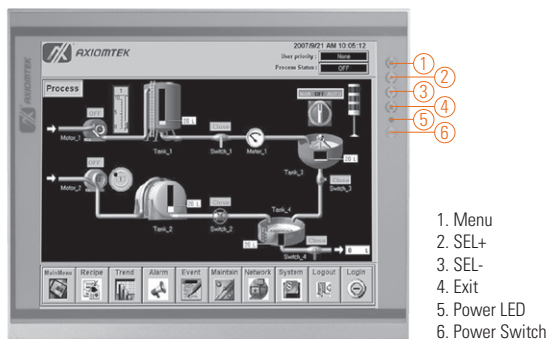
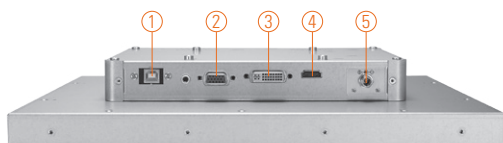


# P6151P

15" XGA TFT Industrial Touchscreen Monitor



1. Menu
2. SEL+
3. SEL-
4. Exit
5. Power LED
6. Power Switch



1. T/S port
2. VGA
3. DVI-D
4. HDMI
5. Power

## Introduction

The P6151 is an ultra slim industrial LCD monitor, which adopts 15-inch 420 nits XGA LED backlight LCD display and supports multi-signal interfaces including DVI, VGA and HDMI. Featuring, screw-type adaptor plug design, and 12/24V DC-In means it is fit for all kinds of industrial environments. With the compact mechanism design, users can enjoy free from space constraint. It is especially suitable for POI/POS, excellent HMI and all kinds of heavy-duty industrial fields.

- 15" TFT 420 nits high brightness XGA LCD
- Resistive touchscreen
- Supports full range screw-type (locked) AC-in or 12V/24V DC-in (option)
- HDMI, DVI-D and VGA with multi-signal inputs
- Built-in speakers



▲ Modularized design

## Specifications

Front Bezel	Open frame monitor	
LCD Panel	Display	15" TFT XGA LED
	Max. Resolution	1024 x 768
	Max. Colors	16.7M
	Active Area (mm)	304.128 x 228.096
	Pixel Pitch (mm)	0.297 x 0.297
	Response Time	16ms
	Backlight	LED backlight
	Backlight MTBF	30,000 hrs
	Viewing Angle (H/V)	160°/160°
	Contrast Ratio	800 (TYP.)
Brightness (cd/m <sup>2</sup> )	420 nits	
Display Control	OSD (on screen display)	
Display Mode	VGA 640 x 350 (70Hz), VGA 640 x 480 (60/72/75Hz), VGA 720 x 400 (70Hz), SVGA 800 x 600 (60/72/75Hz), XGA 1024 x 768 (60/72/75Hz)	
Input Signal	DVI-D	
	VGA	
	HDMI	
	Touchscreen: Serial RS-232 or USB interface	

Архангельск (8182)63-90-72  
Астана +7(7172)727-132  
Белгород (4722)40-23-64  
Брянск (4832)59-03-52  
Владивосток (423)249-28-31  
Волгоград (844)278-03-48  
Вологда (8172)26-41-59  
Воронеж (473)204-51-73  
Екатеринбург (343)384-55-89  
Иваново (4932)77-34-06  
Ижевск (3412)26-03-58  
Казань (843)206-01-48

Калининград (4012)72-03-81  
Калуга (4842)92-23-67  
Кемерово (3842)65-04-62  
Киров (8332)68-02-04  
Краснодар (861)203-40-90  
Красноярск (391)204-63-61  
Курск (4712)77-13-04  
Липецк (4742)52-20-81  
Магнитогорск (3519)55-03-13  
Москва (495)268-04-70  
Мурманск (8152)59-64-93  
Набережные Челны (8552)20-53-41

Нижний Новгород (831)429-08-12  
Новокузнецк (3843)20-46-81  
Новосибирск (383)227-86-73  
Орел (4862)44-53-42  
Оренбург (3532)37-68-04  
Пенза (8412)22-31-16  
Пермь (342)205-81-47  
Ростов-на-Дону (863)308-18-15  
Рязань (4912)46-61-64  
Самара (846)206-03-16  
Санкт-Петербург (812)309-46-40  
Саратов (845)249-38-78

Смоленск (4812)29-41-54  
Сочи (862)225-72-31  
Ставрополь (8652)20-65-13  
Тверь (4822)63-31-35  
Томск (3822)98-41-53  
Тула (4872)74-02-29  
Тюмень (3452)66-21-18  
Ульяновск (8422)24-23-59  
Уфа (347)229-48-12  
Челябинск (351)202-03-61  
Череповец (8202)49-02-64  
Ярославль (4852)69-52-93

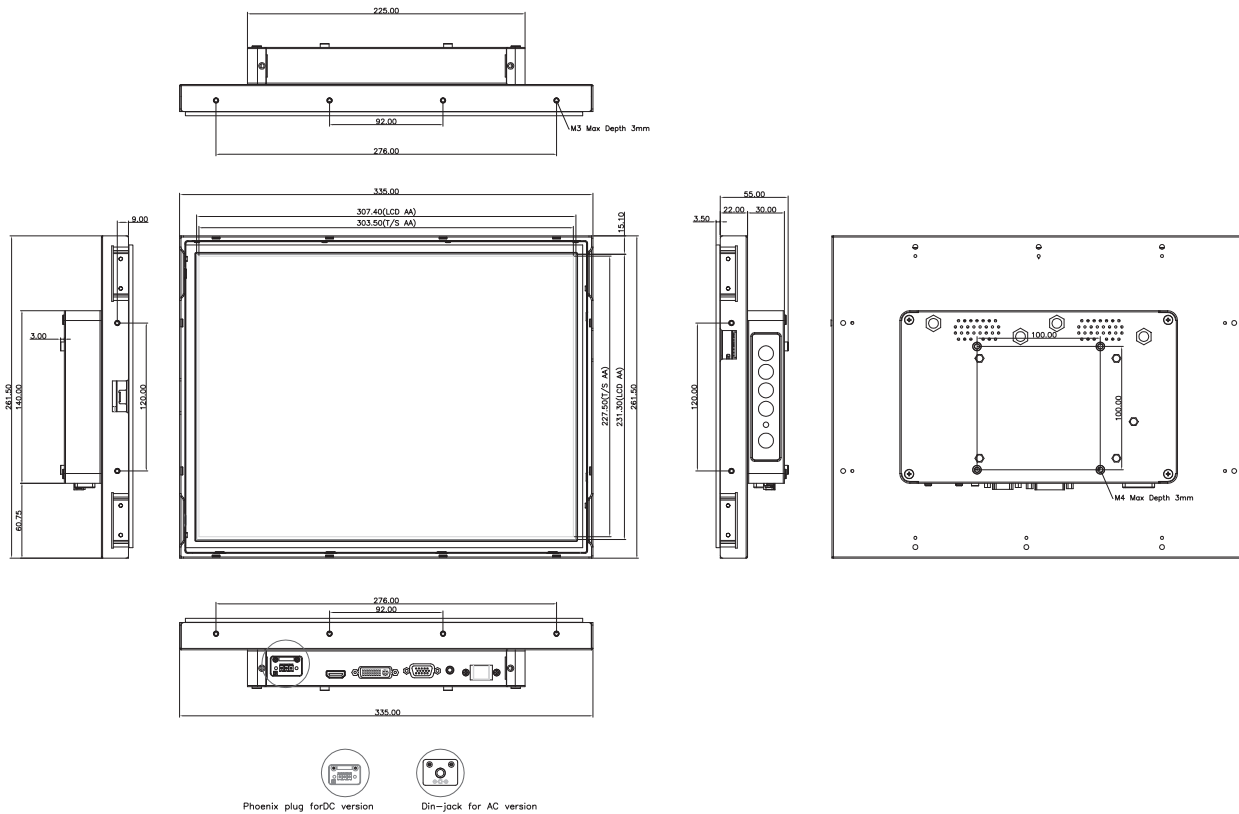
## Specifications

I/O Connectors	1 x RS-232 or USB for touchscreen version 1 x DVI-D 1 x VGA 1 x HDMI 1 x Screw-type DC power input
Power Adapter	Screw-type external AC / DC power adapter
Touchscreen	Thickness Resistive: 3.2 mm
	Light Transmission Resistive: 80%
	Power Consumption Resistive: +5V @ 100mA
	Touch Life Resistive: 35million touches Controller interface: RS-232 D-type 9-pin male connector or USB
Dimensions	335 mm (13.19") (W) x 58.5 mm (2.30") (D) x 261.5 mm (10.29") (H)
Packing Dimensions	TBD
Weight (net/gross)	TBD
Environment	Operating temperature: 0°C ~ +50°C (+32°F ~ +122°F) Storage temperature: -20°C ~ +60°C (-4°F ~ +140°F) Relative humidity: 20%-90% @ 40°C, non-condensing
Certificate	CE

## Ordering Information

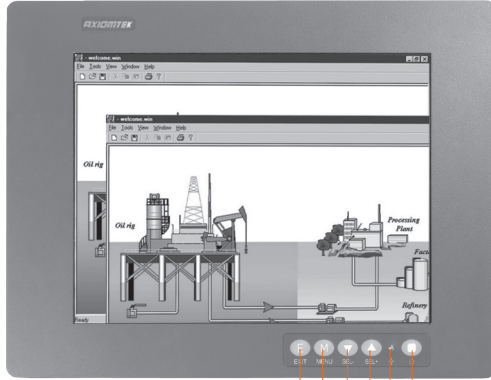
AC Power	Resistive (RS-232)	P6151PR-AC-RS-US-EU
	Resistive (USB)	P6151PR-AC-U-US-EU
	Glass	P6151PG-AC-US-EU
12V/24VDC Power	Resistive (RS-232)	P6151PR-DC-RS
	Resistive (USB)	P6151PR-DC-U
	Glass	P6151PG-DC

## Dimensions

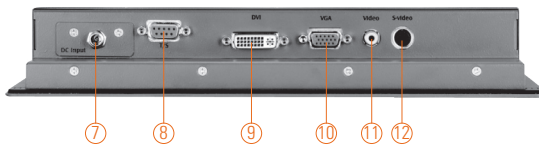


# P6100

10.4" SVGA TFT Industrial LCD Monitor



1. Exit
2. Menu
3. SEL-
4. SEL+
5. Power LED
6. Power switch



- |                         |                  |
|-------------------------|------------------|
| 7. DC power input       | 10. VGA          |
| 8. T/S port             | 11. Video (CVBS) |
| 9. DVI (Only for DVI-D) | 12. S-video      |

## Features

- 10.4" TFT 230 nits SVGA LCD
- NEMA 4/12 (IP65)- compliant panel mounting flat panel monitor
- Resistive touchscreen
- Supports full range screw-type (locked) AC-in or 24V DC-in (option)
- Supports multi-signal inputs: VGA, S-video, Video and DVI-D
- Supports panel mount, wall mount and VESA arm



▲ Side view

## Introduction

The P6100 is a slim & compact industrial LCD monitor equipped with 10.4-inch 230 nits brightness SVGA LCD display and supports multi-signal interfaces including DVI-D, VGA, S-Video, and video. Featuring NEMA 4/12 & IP65 compliant front bezel, screw-type adaptor plug design, and 12/24V DC-In means it is fit for all kinds of industrial environments. Moreover, the P6100 supports panel mount, wall mount or VESA FPMPI (Video Electronics Standards Association Flat Panel Monitor Physical Mounting Interface) mounting. With the compact mechanism design, users can enjoy free from space constraint. This compact size industrial-grade flat panel monitor is ideal for varied industrial or commercial projects, such as transportation, POI, HMI, and even rugged environments.

## Specifications

Front Bezel	NEMA 4/12 (IP65)-compliant, metal front bezel	
Mounting	Panel mounting, wall mounting or VESA FPMPI mounting (video electronics standards association flat panel monitor physical mounting interface)	
LCD Panel	Display Type	10.4" TFT SVGA LCD
	Max. Resolution	800 x 600
	Max. Colors	16.2M/262k
	Active Area (mm)	211.2 x 158.4
	Pixel Pitch (mm)	0.264 x 0.264
	Response Time	35ms
	Backlight	LED
	Backlight MTBF	30,000 hrs
	Viewing Angle(H/V)	160°/130°
	Contrast Ratio	500 (TYP)
Brightness (cd/m <sup>2</sup> )	230 nits	
Display Control	OSD (on screen display)	
Display Mode	VGA 640 x 480 (60/72Hz)	
	SVGA 800 x 600 (60/72Hz)	

## Specifications

Input Signal	VGA Video: R.G.B Analog 0.7v Peak-to-Peak DVI (Only for DVI-D) Touchscreen: Serial RS-232 or USB interface Video (optional) S-video (optional)
I/O Connectors	1 x RS-232 or USB touchscreen version 1 x VGA input 1 x DVI (Only for DVI-D) 1 x Screw-type DC power input 1 x RCA for video (optional) 1 x S-video for video (optional)
Power Adapter	Screw-type external AC / DC power adapter
Touchscreen	Thickness Resistive: 2.2 mm Light Transmission Resistive: 80% Power Consumption Resistive: +5V @ 100mA Touch Life Resistive: 35million touches Controller interface: RS-232 or USB D-type 9-pin male connector or USB connector
Dimensions	294.2 mm (11.58") (W) x 46.6 mm (1.83") (D) x 231.2 mm (9.1") (H)
Packing Dimensions	380 mm (14.96") (W) x 190 mm (7.48") (D) x 430 mm (16.93") (H)
Weight (net/gross)	2.6 kg (5.73 lb)/5.1 kg (11.24 lb)
Environment	Operating temperature: -10°C ~ +60°C (+14°F ~ +140°F) Storage temperature: -30°C ~ +80°C (-22°F ~ +176°F) Relative humidity: 20%~90%@40°C, non-condensing
Certificate	CE



▲ Stand kit

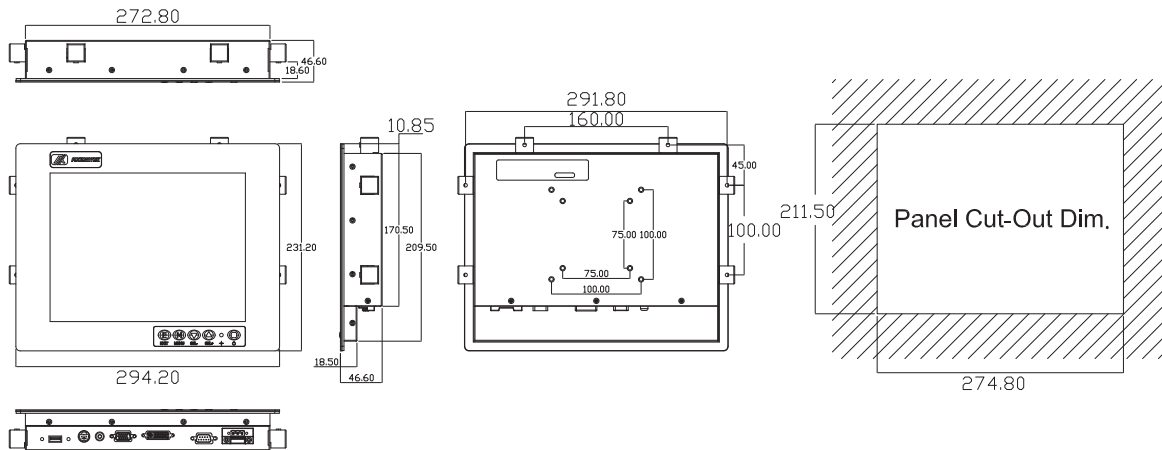


▲ Various mounting ways:  
panel/wall/VESA



▲ Phoenix-type power input

## Dimensions



## Ordering Information

<b>P6100</b>		
AC Power	Panel Mount Monitor	
	Resistive	P6100PR-AC-RS-V3-RC-US-EU
	Resistive (USB)	P6100PR-AC-U-V3-RC-US-EU
	Glass	P6100PG-AC-V3-RC-US-EU
24VDC Power	Panel Mount Monitor	
	Resistive	P6100PR-24VDC-RS-V3-RC
	Resistive (USB)	P6100PR-24VDC-U-V3-RC
	Glass	P6100PG-24VDC-V3-RC
<b>P6100L</b>		
AC Power	Panel Mount Monitor	
	Resistive (RS-232)	P6100LPR-AC-RS-V3-RC-US-EU
	Resistive (USB)	P6100LPR-AC-U-V3-RC-US-EU
	Glass	P6100LPG-AC-V3-RC-US-EU
24VDC Power	Panel Mount Monitor	
	Resistive	P6100LPR-24V-DC-RS-V3-RC
	Resistive (USB)	P6100LPR-24V-DC-U-V3-RC
	Glass	P6100LPG-24V-DC-V3-RC

\* Specification and certifications are based on options and may vary.

## Optional Accessories

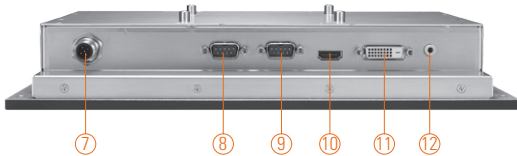
ARM-VM-101	VESA ARM (clamp type)
ARM-VM-105	VESA ARM (wall mount type)
Wall mounting & desktop stand	

# P6105

10.4" XGA Railway Touch Display with EN50155 T1 Class (-25°C ~ +55°C)



1. Menu
2. SEL+
3. SEL-
4. Exit
5. Power LED
6. Power switch



- |                               |             |
|-------------------------------|-------------|
| 7. DC power input             | 10. HDMI    |
| 8. IR remote control (RS-232) | 11. DVI-D   |
| 9. T/S Port (RS-232)          | 12. Line-in |



▲ Side view



## Introduction

The EN50155 railway touch panel computer P6105 adopts a 10.4-inch XGA TFT LCD with 500 nits brightness and a 5-wire resistive touch screen with IP65 grade aluminum front bezel to provide protection of liquid damage and user friendly control interface.

### Wide Temperature (-25°C ~ +55°C) supported

The Axiomtek 10.4-inch railway touch monitor adopts extended temperature technology with a wide temperature range from -25°C ~ +55°C and fanless cooling system as well as super compact design for transportation & harsh environment.

### High brightness 500 nits & wide viewing angle

The railway grade EN50155 touchscreen display P6105 adopts a high brightness 500 nits 10.4-inch LCD with sunlight readable technology. The screen is legible even under strong sunlight and is readable under skies outdoor in parking lots and more. With its wide viewing angle, user won't miss information on the display.

### Anti-vibration for railway

With an anti-vibration design and EN50155 class T1 certification, the Axiomtek rugged 10.4" railway touch panel PC can work perfectly on the train.

## Features

- EN50155 compliance for railway application
- 10.4" high brightness touchscreen XGA TFT LCD
- Wide viewing angle and high brightness 500 nits
- Multiple video inputs including DVI-D and HDMI
- Supports 5-wire resistive touch
- Supports light sensor for auto-dimming (optional)
- Front bezel NEMA 4/12 (IP65)-compliant
- 24VDC or 110VDC power input
- Wide temperature range from -25°C ~ +55°C
- Supports 5 keys OSD
- EN50155 T1 class for railway application
- Optional IR remote control
- Supports front panel mount and VESA 100, optional desktop stand

## Specifications

Front Bezel	NEMA 4/12 (IP65)-compliant, metal front bezel	
LCD Panel	Display Type	10.4" TFT XGA LCD
	Max. Resolution	1024 x 768
	Max. Colors	16.2M/262k
	Active Area (mm)	210.4 (H) x 157.8 (V)
	Pixel Pitch (mm)	0.0685 (H) x 0.2055 (V)
	Response Time	25ms
	Backlight	LED
	Backlight MTBF	50,000 hrs
Display Control	Viewing Angle (H/V)	176°/176°
	Contrast Ratio	1000 (TYP.)
	Brightness (cd/m <sup>2</sup> )	500 nits
	Display Mode	OSD (on screen display)
Display Mode	VGA	640 x 480 (60/72 Hz)
	SVGA	800 x 600 (60/72 Hz)
	XGA	1024 x 768 (60/72 Hz)

## Specifications

Input Signal	HDMI DVI (Only for DVI-D) Touchscreen: Serial RS-232 Interface IR remote control LINE-IN
I/O Connectors	1 x RS-232 for touchscreen version 1 x HDMI 1 x DVI-D 1 x DC power input 1 x RS-232 for IR remote control 1 x LINE-IN
Power Adapter	24VDC or 110VDC power input
Touchscreen	Thickness Resistive: 2.2 mm Light Transmission Resistive: 80% Power Consumption Resistive: +5V @ 100mA Touch Life Resistive: 35million touches Controller interface: RS-232 D-type 9-pin male connector
Dimensions	310 mm (12.20") (W) x 49 mm (1.94") (D) x 214 mm (8.43") (H)
Packing Dimensions	372 mm (14.65") (W) x 175 mm (6.89") (W) x 412mm (16.2") (H)
Weight (net/gross)	2.2 kg (4.85 lb) /3.45 kg (7.61 lb)
Environment	Operating temperature: -25°C ~ +55°C (-13°F ~ +131°F) Storage temperature: -30°C ~ +80°C (-22°F ~ +176°F) Relative humidity: 20%-90%@40°C, non-condensing
Certificate	CE/EN50155

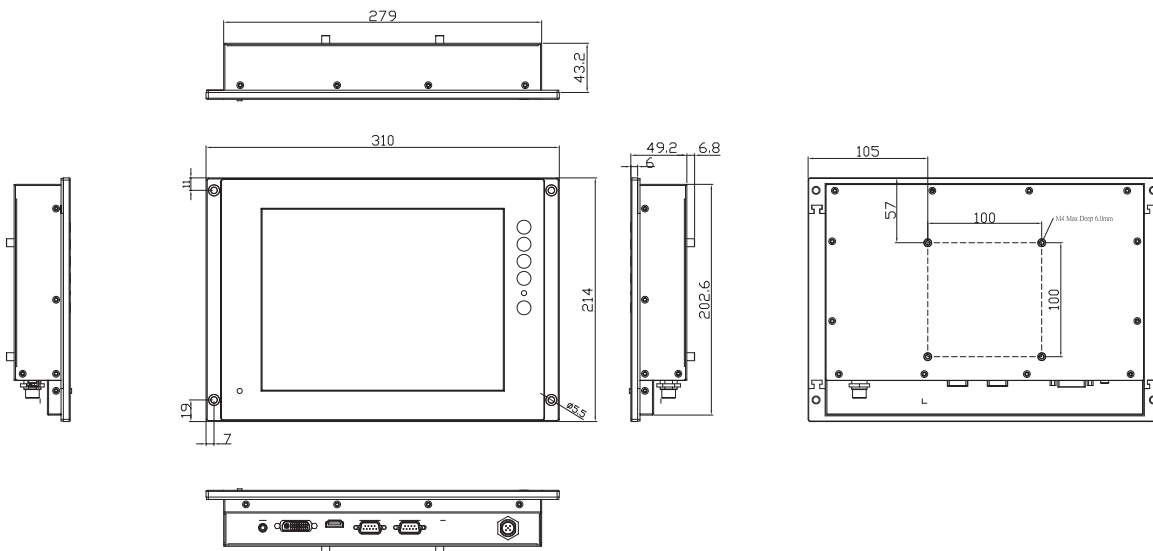
## Ordering Information

P6105DPR-24VDC 10.4" XGA railway touch display with EN50155 T1 class (-25°C ~ +55°C)

\* Specification and certifications are based on options and may vary.

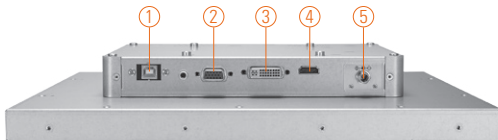


## Dimensions



# P6151O

15" XGA TFT Industrial Open Frame Monitor



- 1. T/S port
- 2. VGA
- 3. DVI-D
- 4. HDMI
- 5. Power

## Features

- 15" TFT 420 nits high brightness XGA LCD
- Resistive touchscreen
- Supports full range screw-type (locked) AC-in or 12V/24V DC-in (option)
- HDMI, DVI-D and VGA with multi-signal inputs
- Built-in speakers



▲ Side view

## Introduction

The P6151 is an ultra slim industrial LCD monitor, which adopts 15-inch 420 nits XGA LED backlight LCD display and supports multi-signal interfaces including DVI, VGA and HDMI. Featuring, screw-type adaptor plug design, and 12/24V DC-In means it is fit for all kinds of industrial environments. With the compact mechanism design, users can enjoy free from space constraint. It is especially suitable for POI/POS, excellent HMI and all kinds of heavy-duty industrial fields.

## Specifications

Front Bezel	Open frame monitor	
LCD Panel	Display	15" TFT XGA LED
	Max. Resolution	1024 x 768
	Max. Colors	16.7M
	Active Area (mm)	304.128 x 228.096
	Pixel Pitch (mm)	0.297 x 0.297
	Response Time	16ms
	Backlight	LED backlight
	Backlight MTBF	30,000 hrs
	Viewing Angle (H/V)	160°/160°
	Contrast Ratio	800 (TYP.)
Brightness (cd/m <sup>2</sup> )	420 nits	
Display Control	OSD (on screen display)	
Display Mode	VGA 640 x 350 (70Hz), VGA 640 x 480 (60/72/75Hz), VGA 720 x 400 (70Hz), SVGA 800 x 600 (60/72/75Hz), XGA 1024 x 768 (60/72/75Hz)	
Input Signal	DVI-D VGA HDMI Touchscreen: Serial RS-232 or USB interface	

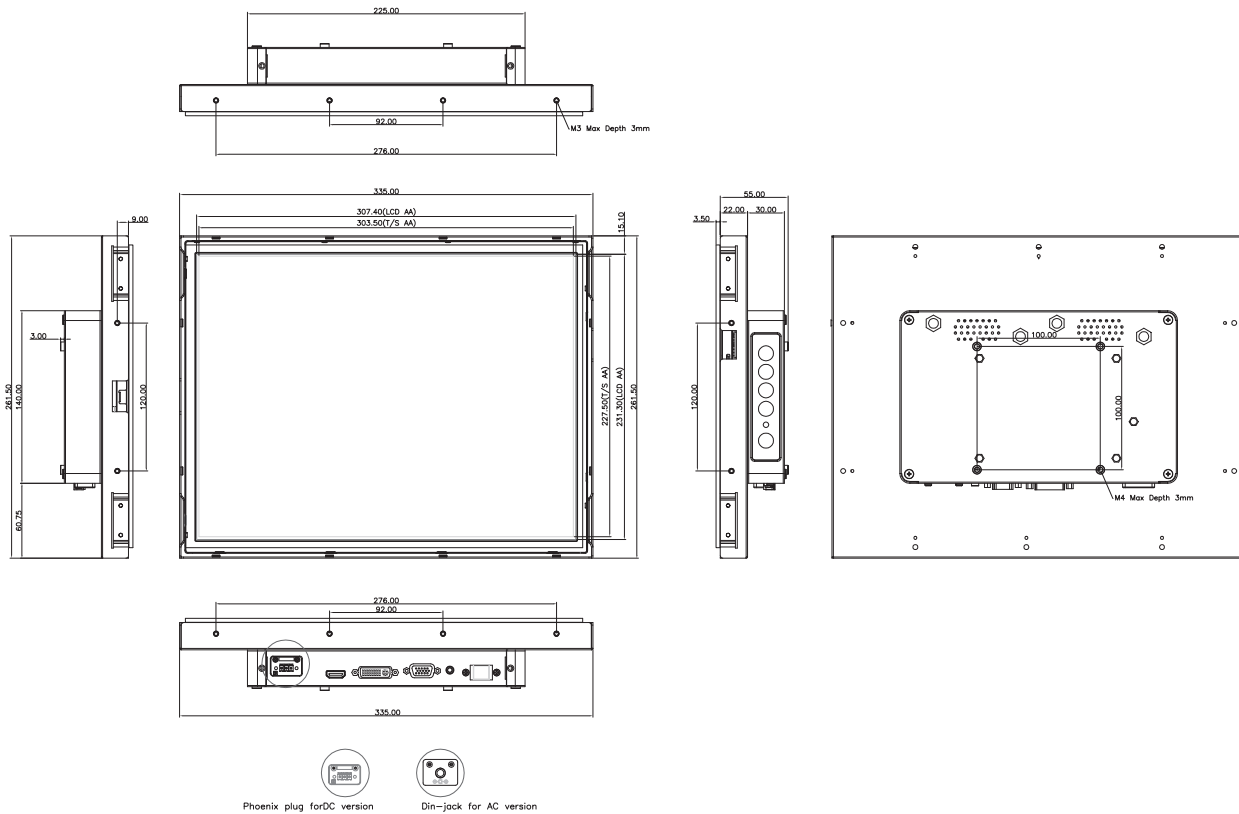
## Specifications

I/O Connectors	1 x RS-232 or USB for touchscreen version 1 x DVI-D 1 x VGA 1 x HDMI 1 x Screw-type DC power input
Power Adapter	Screw-type external AC / DC power adapter
Touchscreen	Thickness Resistive: 3.2 mm
	Light Transmission Resistive: 80%
	Power Consumption Resistive: +5V @ 100mA
	Touch Life Resistive: 35million touches Controller interface: RS-232 D-type 9pin male connector or USB
Dimensions	335 mm (13.19") (W) x 58.5 mm (2.30") (D) x 261.5 mm (10.29") (H)
Packing Dimensions	TBD
Weight (net/gross)	TBD
Environment	Operating temperature: 0°C ~ +50°C (+32°F ~ +122°F) Storage temperature: -20°C ~ +60°C (-4°F ~ +140°F) Relative humidity: 20%-90% @ 40°C, non-condensing
Certificate	CE

## Ordering Information

AC Power	Resistive (RS-232)	P61510R-AC-RS-US-EU
	Resistive (USB)	P61510R-AC-U-US-EU
	Glass	P61510G-AC-US-EU
12V/24VDC Power	Resistive (RS-232)	P61510R-DC-RS
	Resistive (USB)	P61510R-DC-U
	Glass	P61510G-DC

## Dimensions





# P6153

15" XGA TFT Industrial LCD Monitor



1. Exit
2. Menu
3. SEL-
4. SEL+
5. Power LED
6. Power switch

7. T/S port
8. DC power input
9. DVI (Only for DVI-D)
10. VGA
11. Video (CVBS)
12. S-video

## Features

- 15" TFT 420 nits high brightness XGA LCD
- NEMA 4/12 (IP65)- compliant panel mounting flat panel monitor
- Resistive touchscreen
- Supports full range screw-type (locked) AC-in or 24V DC-in (option)
- Supports multi-signal inputs: VGA, S-video, Video and DVI
- Supports panel mount, wall mount, rack mount and VESA arm



▲ Side view

## Introduction

The P6153 is a slim & compact industrial LCD monitor equipped 15-inch 420 nits brightness XGA LCD display and supports multi-signal interfaces including DVI, VGA, S-Video, Video. Featuring NEMA 4/12 & IP65 compliant front bezel, screw-type adaptor plug design, and 12/24V DC-In means it is fit for all kinds of industrial environments. Moreover, the P6153 supports panel mount, wall mount, rack mount or VESA FPMPMI (Video Electronics Standards Association Flat Panel Monitor Physical Mounting Interface) mounting. With the compact mechanism design, users can enjoy free from space constraint. The P6153 is especially suitable for POI/POS, excellent HMI, media-display applications and all kinds of heavy-duty industrial fields.

## Specifications

Front Bezel	NEMA 4/12 (IP65)-compliant, metal front bezel	
Mounting	Panel mounting, wall mounting rackmount or VESA FPMPMI mounting (video electronics standards association Flat Panel monitor physical mounting interface)	
LCD Panel	Display Type	15" TFT XGA LCD
	Max. Resolution	1024 x 768
	Max. Colors	16.2M
	Active Area (mm)	304.128 x 228.096
	Pixel Pitch (mm)	0.297 x 0.297
	Response Time	16 ms
	Backlight	LED
	Backlight MTBF	30,000 hrs
	Viewing Angle (H/V)	160°/160°
	Contrast Ratio	800 (TYP.)
	Brightness (cd/m <sup>2</sup> )	420 nits
Display Control	OSD (on screen display)	
Display Mode	VGA 640 x 350/ VGA 640 x 480/ VGA 720 x 400/ SVGA 800 x 600/ XGA 1024 x 768	

## Specifications

Input Signal	VGA Video: R.G.B Analog 0.7v Peak-to-Peak DVI (Only for DVI-D) Touchscreen: Serial RS-232 or USB Interface Video (optional) S-Video (optional)
I/O Connectors	1 x RS-232 for touchscreen version 1 x VGA input 1 x DVI-D 1 x Screw-type DC power input 1 x RCA for video (optional) 1 x S-Video for video (optional)
Power Adapter	Screw-type external AC / DC power adapter
Touchscreen	Thickness Resistive: 3.2 mm Light Transmission Resistive: 80% Power Consumption Resistive: +5V @ 100mA Touch Life Resistive: 35million touches Controller interface: RS-232 D-type 9-pin male connector or USB connector
Dimensions	400 mm (15.75") (W) x 55 mm (2.16") (D) x 320 mm (12.6") (H)
Packing Dimensions	510 mm (20.08") (W) x 190 mm (7.48") (D) x 540 mm (21.26") (H)
Weight (net/gross)	4.8 kg (10.58 lb)/8.2 kg (18.08 lb)
Environment	Operating temperature: -20° ~ +60°C (-4°F ~ +40°F) Storage temperature: -20°C ~ +70°C (-4°F ~ +158°F) Relative humidity: 20%~90%@40°C, non-condensing
Certificate	CE



▲ Stand kit

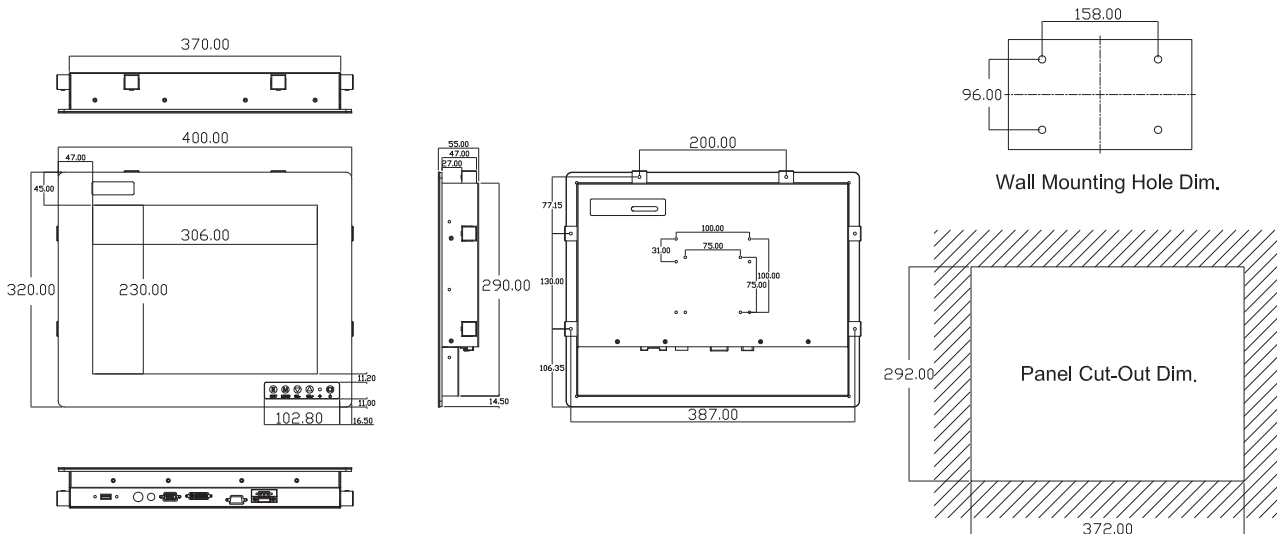


▲ Screw-type power input



▲ Phoenix-type power input

## Dimensions



## Ordering Information

P6153		
AC Power	Panel Mount Monitor	
	Resistive (RS-232)	P6153PR-AC-RS-V3-RC-US-EU
	Resistive (USB)	P6153PR-AC-U-V3-RC-US-EU
	Glass	P6153PG-AC-V3-RC-US-EU
24VDC Power	Panel Mount Monitor	
	Resistive (RS-232)	P6153PR-24V-DC-RS-V3-RC
	Resistive (USB)	P6153PR-24VDC-U-V3-RC
	Glass	P6153PG-24VDC-V3-RC

P6153L (Input: VGA and DVI only)		
AC Power	Panel Mount Monitor	
	Resistive (RS-232)	P6153LPR-AC-RS-V3-RC-US-EU
	Resistive (USB)	P6153LPR-AC-U-V3-RC-US-EU
	Glass	P6153LPG-AC-V3-RC-US-EU
24VDC Power	Panel Mount Monitor	
	Resistive (RS-232)	P6153LPR-24V-DC-RS-V3-RC
	Resistive (USB)	P6153LPR-24V-DC-U-V3-RC
	Glass	P6153LPG-24V-DC-V3-RC

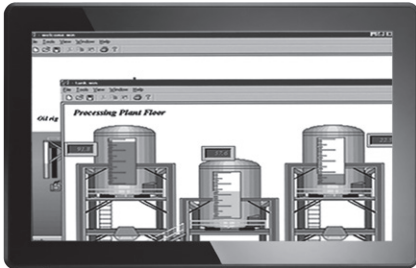
\* Specification and certifications are based on options and may vary.

## Optional Accessories

ARM-VM-101	VESA ARM (clamp type)
ARM-VM-105	VESA ARM (wall mount type)
Wall mounting & desktop stand	
Rack-mount kit	

# P6157W

15.6" WXGA TFT Widescreen Industrial LCD Monitor



- |                 |                         |
|-----------------|-------------------------|
| 1. Exit         | 7. DC power input       |
| 2. Menu         | 8. T/S port             |
| 3. SEL-         | 9. DVI (Only for DVI-D) |
| 4. SEL+         | 10. VGA                 |
| 5. Power LED    | 11. Video (CVBS)        |
| 6. Power switch | 12. S-video             |

## Features

- 15.6" TFT 300 nits WXGA LCD
- NEMA 4/12 (IP65)- compliant panel mounting flat panel monitor
- Supports panel mount, wall mount, VESA mount
- Multi touch 15.6" projective capacitive
- Supports full range screw-type (locked) AC-in or 24V DC-in (option)
- Supports multi-signal inputs: VGA, S-video, Video and DVI-D



▲ Modularized design

## Introduction

The P6157W is a slim & compact with flat front bezel design industrial LCD monitor, which adopts 15.6-inch 300 nits WXGA LCD display and supports multi-signal interfaces including DVI, VGA, S-Video, Video. Featuring NEMA4/12 & IP65 compliant front bezel, screw-type adaptor plug design, and 12/24V DC-In means it is fit for all kinds of industrial environments. Moreover, the P6157W supports panel mount, wall mount or VESA FPMPMI (Video Electronics Standards Association Flat Panel Monitor Physical Mounting Interface) mounting. With the compact mechanism design, users can enjoy free from space constraint. It is especially suitable for POI/POS, excellent HMI and all kinds of heavy-duty industrial fields.

## Specifications

Front Bezel	NEMA 4/12 (IP65)-compliant, metal front bezel	
Mounting	Panel mounting, wall mounting, VESA FPMPMI mounting (video electronics standards association flat panel monitor physical mounting interface)	
LCD Panel	Display	15.6" TFT WXGA LCD
	Max. Resolution	1366 x 768
	Max. Colors	16.7M
	Active Area (mm)	344.232 x 193.536
	Pixel Pitch (mm)	0.252 x 0.252
	Response Time	8ms
	Backlight	LED
	Backlight MTBF	50,000 hrs
	Viewing Angle (H/V)	170°/160°
	Contrast Ratio	500 (TYP.)
Brightness (cd/m <sup>2</sup> )	300 nits	
Display Control	OSD (on screen display)	
Display Mode	VGA 640 x 350 (70Hz), VGA 640 x 480 (60/72/75Hz), VGA 720 x 400 (70Hz), SXGA 800 x 600 (60/72/75Hz), XGA 1024 x 768 (60/72/75Hz) WXGA 1366 x 768 (60Hz)	

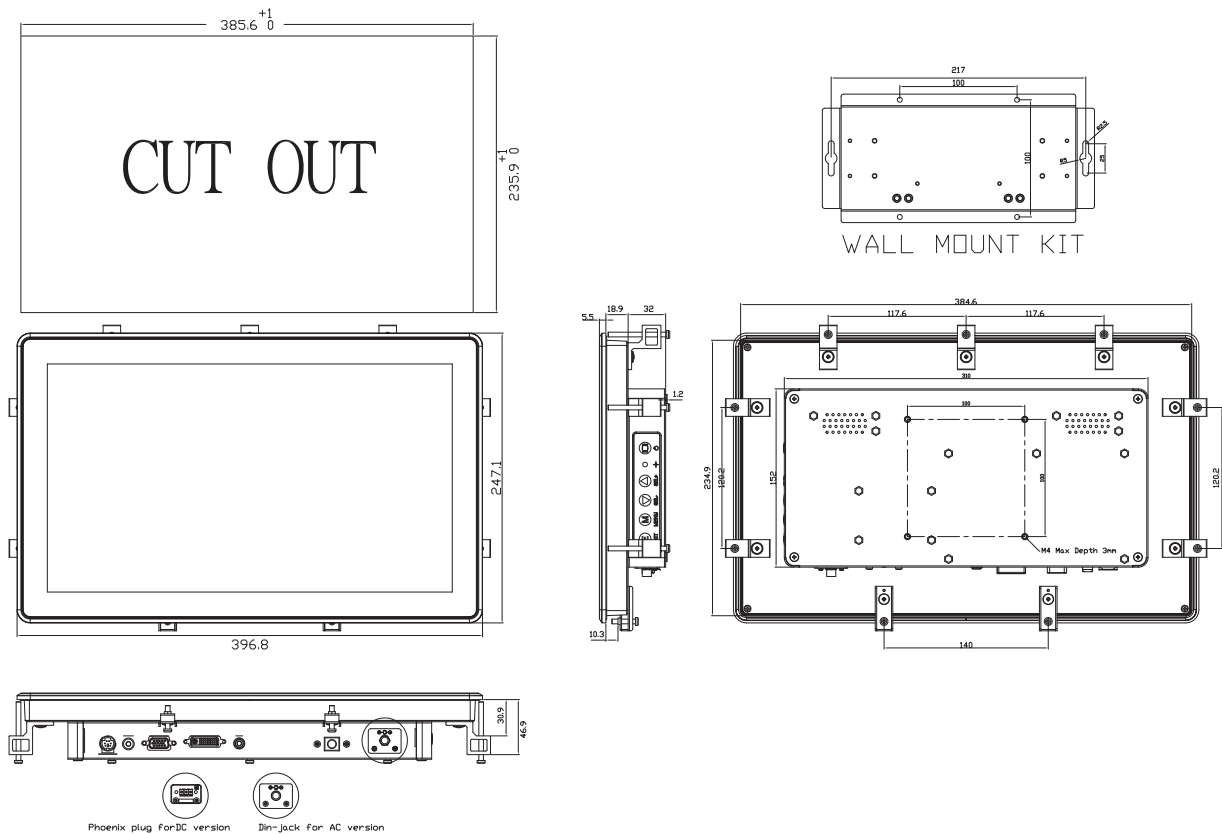
## Specifications

Input Signal	VGA Video: R.G.B Analog 0.7v Peak-to-Peak Video S-video DVI (Only for DVI-D) Touchscreen: USB interface
I/O Connectors	1 x USB for touchscreen version 1 x VGA input 1 x RCA for video 1 x S-video for video 1 x DVI 1 x Screw-type DC power input
Power Adapter	Screw-type external AC / DC power adapter
Touchscreen	Thickness 2.4 mm Multi-touch 15.6" projective capacitive
Dimensions	396.8 mm (15.62") (W) x 57.7 mm (2.68") (D) x 247.1 mm (9.73") (H)
Packing Dimensions	525 mm (20.67") (W) x 186 mm (7.32") (D) x 470 mm (18.51") (H)
Weight (net/gross)	4.48 kg (9.87 lb)/ 7.88 kg (17.36 lb)
Environment	Operating temperature: 0° ~ +55°C (+32°F ~ +131°F) Storage temperature: -20°C ~ +60°C (-4°F ~ +140°F) Relative humidity: 20%~90%@40°C, non-condensing
Certificate	CE

## Ordering Information

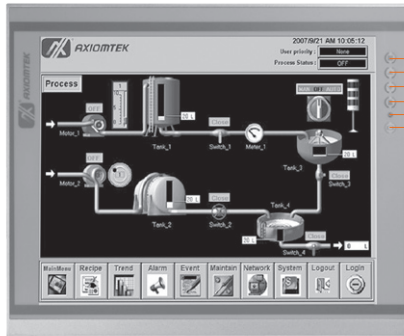
<b>P6157W</b>		
AC Power	Panel Mount Monitor	
	Capacitive (USB)	P6157WPC-AC-U-US-EU
	Glass	P6157WPG-AC-US-EU
24VDC Power	Panel Mount Monitor	
	Capacitive (USB)	P6157WPC-24VDC-U
	Glass	P6157WPG-24VDC

## Dimensions



# P6171

17" SXGA TFT Industrial LCD Monitor



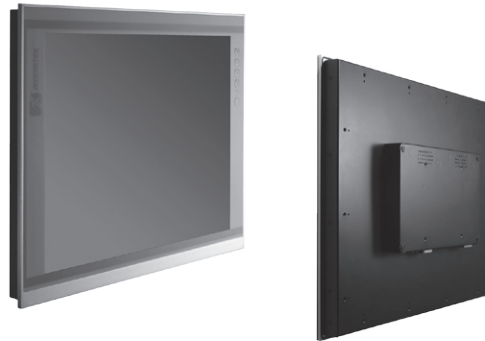
1. Menu
2. SEL+
3. SEL-
4. Exit
5. Power LED
6. Power Switch



- |                            |  |
|----------------------------|--|
| 7. RS-232 or USB for Touch | 10. DisplayPort                            |
| 8. DVI-D                   | 11. Screw type or Phoenix type power input |
| 9. HDMI                    |  |

## Features

- 17" TFT SXGA LED backlight LCD
- NEMA 4/12 (IP65)- compliant panel mounting flat panel monitor
- Supports panel mount, wall mount, rack mount and VESA arm
- Resistive touchscreen
- Supports full range screw-type (locked) AC-in or 12V/24V DC-in (option)
- Supports multi-signal inputs: DVI-D, DisplayPort and HDMI



▲ Ultra-slim mechanism design

## Introduction

The P6171 is an ultra slim industrial LCD monitor, which adopts 17-inch 350 nits SXGA LED backlight LCD display and supports multi-signal interfaces including DVI, DisplayPort and HDMI. Featuring NEMA 4/12 & IP65 compliant front bezel, screw-type adaptor plug design, and 12/24V DC-In means it is fit for all kinds of industrial environments. Moreover, the P6171 supports panel mount, wall mount, rack mount or VESA FPMPMI (Video Electronics Standards Association Flat Panel Monitor Physical Mounting Interface) mounting. With the compact mechanism design, users can enjoy free from space constraint. It is especially suitable for POI/POS, excellent HMI and all kinds of heavy-duty industrial fields.

## Specifications

Front Bezel	NEMA 4/12 (IP65)-compliant, metal front bezel	
Mounting	Panel mount, wall mount, rack mount or VESA FPMPMI mounting (video electronics standards association Flat Panel monitor physical mounting interface)	
LCD Panel	Display	17" TFT SXGA LED
	Max. Resolution	1280 x 1024
	Max. Colors	16.7M
	Active Area (mm)	337.92 x 270.33
	Pixel Pitch (mm)	0.264 x 0.264
	Response Time	5ms
	Backlight	LED backlight
	Backlight MTBF	30,000 hrs
	Viewing Angle (H/V)	170°/160°
	Contrast Ratio	1000 (TYP.)
Brightness (cd/m <sup>2</sup> )	350 nits	
Display Control	OSD (on screen display)	
Display Mode	VGA 640 x 350 (70Hz), VGA 640 x 480 (60/72/75Hz), VGA 720 x 400 (70Hz), SVGA 800 x 600 (60/72/75Hz), XGA 1024 x 768 (60/72/75Hz), SXGA 1280 x 1024 (60/72/75Hz)	

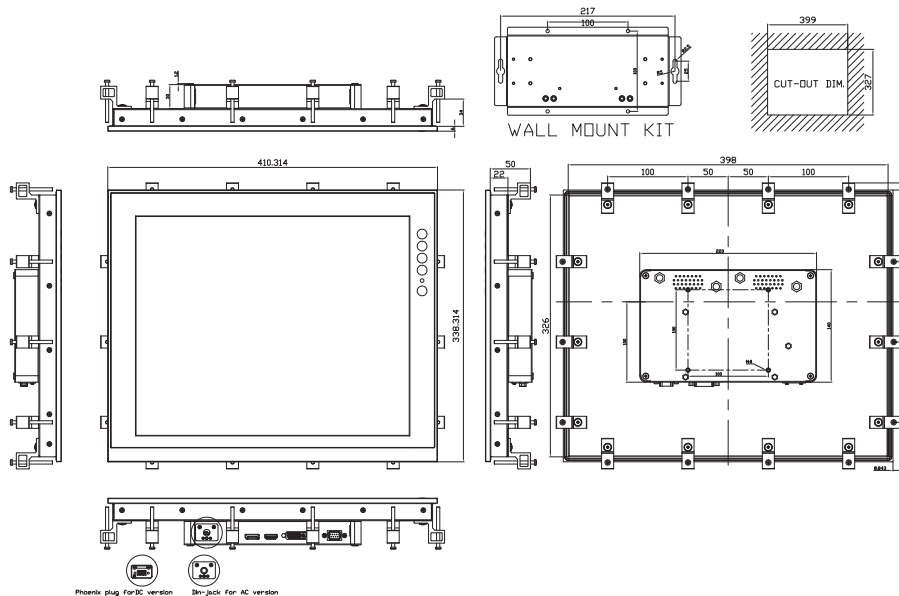
## Specifications

Input Signal	DVI-D DisplayPort HDMI Touchscreen: Serial RS-232 or USB interface	
I/O Connectors	1 x RS-232 or USB for touchscreen version 1 x DVI-D 1 x DisplayPort 1 x HDMI 1 x Screw-type DC power input	
Power Adapter	Screw-type external AC / DC power adapter	
Touchscreen	Thickness	Resistive: 3.2 mm
	Light Transmission	Resistive: 80%
	Power Consumption	Resistive: +5V @ 100mA
	Touch Life	Resistive: 35million touches Controller interface: RS-232 D-type 9pin male connector or USB
Dimensions	410.31 mm (16.15") (L) x 28 mm (1.10") (H) x 38.31 mm (1.32") (W)	
Packing Dimensions	510 mm (20.08") (L) x 532 mm (20.94") (H) x 186 mm (7.32") (W)	
Weight (net/gross)	3.8 kg (8.38 lb)/ 6.56 kg (14.46 lb)	
Environment	Operating temperature: 0° ~ +50°C (+32°F ~ +122°F) Storage temperature: -20°C ~ +60°C (-4°F ~ +140°F) Relative humidity: 20%~90%@40°C, non-condensing	
Certificate	CE	

## Ordering Information

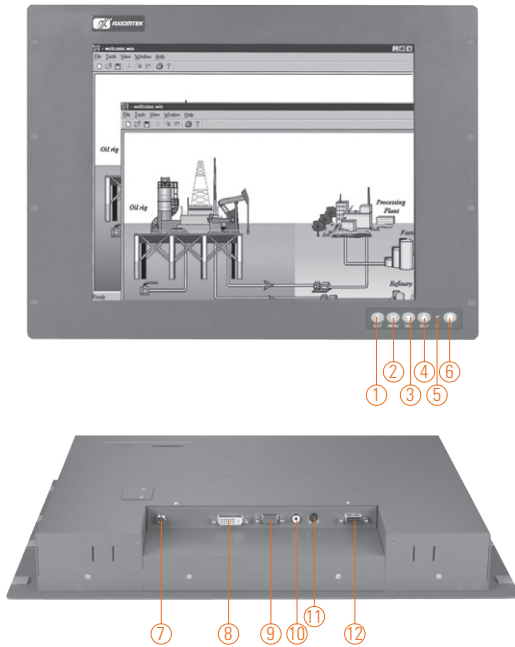
AC Power	Resistive (RS-232)	P6171DPR-AC-RS-US-EU
	Resistive (USB)	P6171DPR-AC-U-US-EU
	Glass	P6171DPG-AC-US-EU
12V/24VDC Power	Resistive (RS-232)	P6171DPR-DC-RS
	Resistive (USB)	P6171DPR-DC-U
	Glass	P6171DPG-DC

## Dimensions



# P6173

17" SXGA TFT Industrial LCD Monitor



1. Exit
2. Menu
3. SEL-
4. SEL+
5. Power LED
6. Power switch

7. DC power input
8. DVI (Only for DVI-D)
9. VGA
10. Video (CVBS)
11. S-video
12. T/S port

## Features

- 17" TFT 350 nits SXGA LCD
- NEMA 4/12 (IP65)- compliant panel mounting flat panel monitor
- Supports panel mount, wall mount, rack mount and VESA arm
- Resistive touchscreen
- Supports full range screw-type (locked) AC-in or 24V DC-in (option)
- Supports multi-signal inputs: VGA, S-video, Video and DVI



▲ Side view

## Introduction

The P6173 is a slim industrial LCD monitor, which adopts 17-inch 350 nits high brightness SXGA LCD display and supports multi-signal interfaces including DVI, VGA, S-video, Video. Featuring NEMA 4/12 & IP65 compliant front bezel, screw-type adaptor plug design, and 12/24V DC-In means it is fit for all kinds of industrial environments. Moreover, the P6173 supports panel mount, wall mount, rack mount or VESA FPMPMI (Video Electronics Standards Association Flat Panel Monitor Physical Mounting Interface) mounting. With the compact mechanism design, users can enjoy free from space constraint. It is especially suitable for POI/POS, excellent HMI and all kinds of heavy-duty industrial fields.

## Specifications

Front Bezel	NEMA 4/12 (IP65)-compliant, metal front bezel	
Mounting	Supports panel mount, wall mount, rack mount or VESA arm FPMPMI mounting (video electronics standards association flat panel monitor physical mounting interface)	
LCD Panel	Display	Type 17" TFT SXGA LCD
	Max. Resolution	1280 x 1024
	Max. Colors	16.7M
	Active Area (mm)	337.92 x 270.33
	Pixel Pitch (mm)	0.264 x 0.264
	Response Time	5 ms
	Backlight	LED
	Backlight MTBF	30,000 hrs
	Viewing Angle (H/V)	170°/160°
	Contrast Ratio	1000 (TYP.)
Brightness (cd/m <sup>2</sup> )	350 nits	
Display Control	OSD (on screen display)	
Display Mode	VGA 640 x 350 (70Hz), VGA 640 x 480 (60/72/75Hz), VGA 720 x 400 (70Hz), SVGA 800 x 600 (60/72/75Hz), XGA 1024 x 768 (60/72/75Hz), SXGA 1280 x 1024 (60/72/75Hz)	

## Specifications

Input Signal	VGA Video: R.G.B Analog 0.7v Peak-to-Peak DVI (Only for DVI-D) Touchscreen: Serial RS-232 or USB Video (optional) S-Video (optional)
I/O Connectors	1 x RS-232 or USB for touchscreen version 1 x VGA input 1 x RCA for video (optional) 1 x S-Video for video (optional) 1 x DVI 1 x Screw-type DC power input
Power Adapter	Screw-type external AC / DC power adapter
Touchscreen	Thickness Resistive: 3.2 mm Light Transmission Resistive: 80% Power Consumption Resistive: +5V @ 100mA Touch Life Resistive: 35million touches Controller interface: RS-232 D-type 9-pin male connector or USB
Dimensions	482 mm (19") (W) x 60 mm (2.36") (D) x 360 mm (14.2") (H)
Packing Dimensions	610 mm (24.02") (W) x 260 mm (10.24") (D) x 590 mm (23.23") (H)
Weight (net/gross)	5.5 kg (12.12 lb)/12.7 kg (28 lb)
Environment	Operating temperature: 0° ~ +55°C (+32°F ~ +131°F) Storage temperature: -20°C ~ +60°C (-4°F ~ +140°F) Relative humidity: 20%~90%@40°C, non-condensing
Certificate	CE

## Ordering Information

P6173		
AC Power	Panel Mount Monitor	
	Resistive (RS-232)	P6173PR-AC-RS-V3-RC-US-EU
	Resistive (USB)	P6173PR-AC-U-V3-RC-US-EU
	Glass	P6173PG-AC-V3-RC-US-EU
24VDC Power	Panel Mount Monitor	
	Resistive (RS-232)	P6173PR-24VDC-RS-V3-RC
	Resistive (USB)	P6173PR-24VDC-U-V3-RC
	Glass	P6173PG-24VDC-V3-RC

### P6173L (Input: VGA and DVI only)

AC Power	Panel Mount Monitor	
	Resistive (RS-232)	P6173LPR-AC-RS-V3-RC-US-EU
	Resistive (USB)	P6173LPR-AC-U-V3-RC-US-EU
	Glass	P6173LPG-AC-V3-RC-US-EU
24VDC Power	Panel Mount Monitor	
	Resistive (RS-232)	P6173LPR-24V-DC-RS-V3-RC
	Resistive (USB)	P6173LPR-24V-DC-RS-V3-RC
	Glass	P6173LPG-24V-DC-V3-RC

\* Specification and certifications are based on options and may vary.

## Optional Accessories

ARM-VM-101	VESA ARM (clamp type)
ARM-VM-105	VESA ARM (wall mount type)
Wall mounting & desktop stand	



▲ Stand kit



▲ Various mounting ways: panel/ wall/ VESA

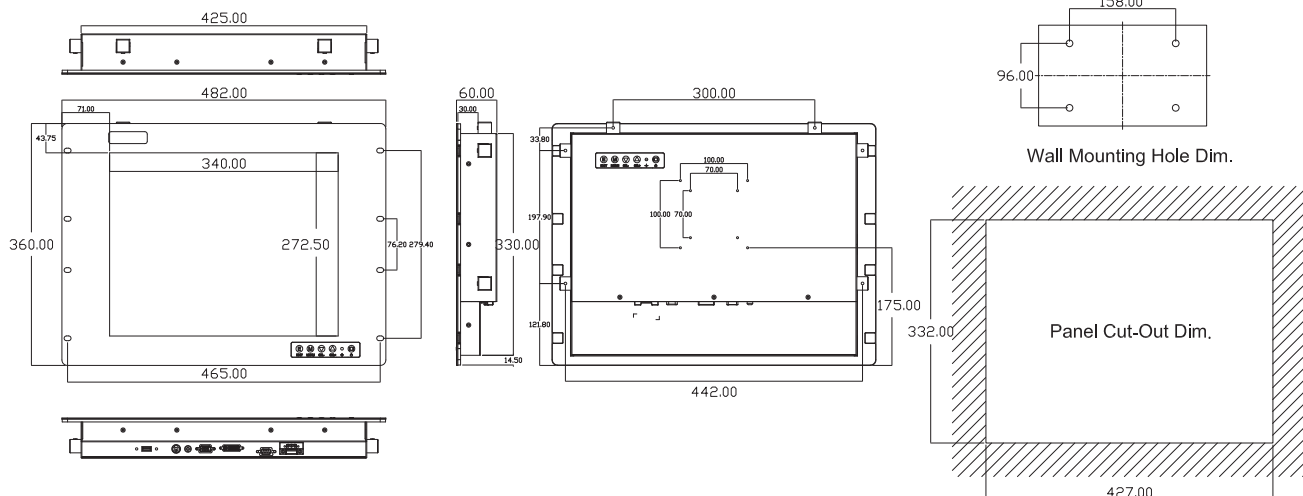


▲ Screw-type power input



▲ Phoenix-type power input

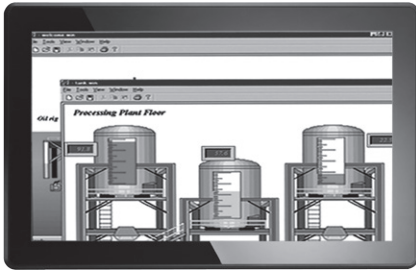
## Dimensions





# P6187W

18.5" WXGA TFT Widescreen Industrial LCD Monitor



- |                 |                         |
|-----------------|-------------------------|
| 1. Exit         | 7. DC power input       |
| 2. Menu         | 8. T/S port             |
| 3. SEL-         | 9. DVI (Only for DVI-D) |
| 4. SEL+         | 10. VGA                 |
| 5. Power LED    | 11. Video (CVBS)        |
| 6. Power switch | 12. S-video             |

## Features

- 18.5" TFT 300 nits WXGA LCD
- NEMA 4/12 (IP65)- compliant panel mounting flat panel monitor
- Supports panel mount, wall mount and VESA mount
- Multi-touch 18.5" projective capacitive
- Supports full range screw-type (locked) AC-in or 24V DC-in (option)
- Supports multi-signal inputs: VGA, S-video, Video and DVI



▲ Modularized design

## Introduction

The P6187W is a slim with flat front bezel design industrial LCD monitor, which adopts 18.5-inch 300 nits WXGA LCD display and supports multi-signal interfaces including DVI, VGA, S-Video, Video. Featuring NEMA 4/12 & IP65 compliant front bezel, screw-type adaptor plug design, and 12/24V DC-In means it is fit for all kinds of industrial environments. Moreover, the P6187W supports panel mount, wall mount or VESA FPMPMI (Video Electronics Standards Association Flat Panel Monitor Physical Mounting Interface) mounting. With the compact mechanism design, users can enjoy free from space constraint. It is especially suitable for POI/POS, excellent HMI and all kinds of heavy-duty industrial fields.

## Specifications

Front Bezel	NEMA 4/12 (IP65)-compliant, flat front bezel	
Mounting	Supports panel mount, wall mount and VESA mount FPMPMI mounting (video electronics standards association flat panel monitor physical mounting interface)	
LCD Panel	Display	18.5" TFT WXGA LCD
	Max. Resolution	1366 x 768
	Max. Colors	16.7M
	Active Area (mm)	409.8 x 230.4
	Pixel Pitch (mm)	0.3 x 0.3
	Response Time	5ms
	Backlight	LED
	Backlight MTBF	50,000 hrs
	Viewing Angle (H/V)	170°/160°
	Contrast Ratio	1000 (TYP.)
Brightness (cd/m <sup>2</sup> )	300 nits	
Display Control	OSD (on screen display)	
Display Mode	VGA 640 x 350 (70Hz), VGA 640 x 480 (60/72/75Hz), VGA 720 x 400 (70Hz), SXGA 800 x 600 (60/72/75Hz), XGA 1024 x 768 (60/72/75Hz), WXGA 1366 x 768 (60Hz)	

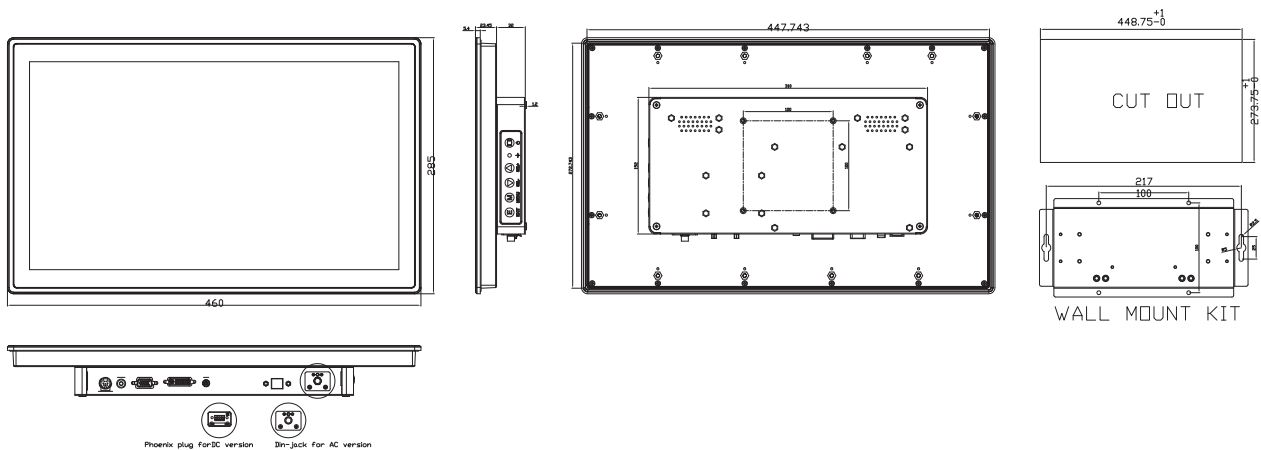
## Specifications

Input Signal	VGA Video: R.G.B Analog 0.7v Peak-to-Peak Video S-video DVI (Only for DVI-D) Touchscreen: USB interface
I/O Connectors	1 x USB for touchscreen version 1 x VGA input 1 x RCA for video 1 x S-video for video 1 x DVI 1 x Screw-type DC power input
Power Adapter	Screw-type external AC/ DC power adapter
Touchscreen	Multi-touch 18.5" projective capacitive
Dimensions	460 mm (18.11") (W) x 57 mm (2.44") (D) x 285 mm (11.22") (H)
Packing Dimensions	595 mm (24.43") (W) x 190 mm (7.48") (D) x 490 mm (19.29") (H)
Weight (net/gross)	6.0 kg (12.22 lb)/ 8.0 kg (17.75 lb)
Environment	Operating temperature: 0° ~ +55°C (+32°F ~ +131°F) Storage temperature: -20°C ~ +60°C (-4°F ~ +140°F) Relative humidity: 20%~90%@40°C, non-condensing
Certificate	CE

## Ordering Information

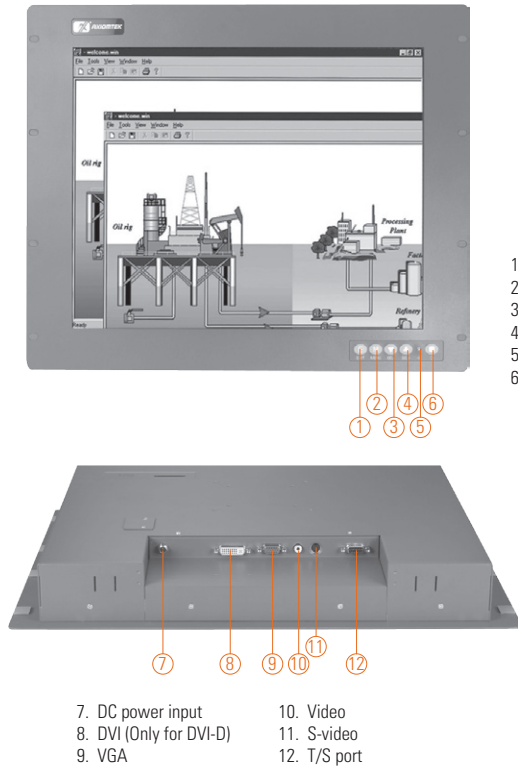
P6187W		
AC Power	Panel Mount Monitor	
	Capacitive (USB)	P6187WPC-AC-U-US-EU
	Glass	P6187WPG-AC-US-EU
24VDC Power	Panel Mount Monitor	
	Capacitive (USB)	P6187WPC-24VDC-U
	Glass	P6187WPG-24VDC

## Dimensions



# P6192

19" SXGA TFT Industrial LCD Monitor



## Features

- 19" TFT 350 nits SXGA LCD
- NEMA 4/12 (IP65)- compliant panel mounting flat panel monitor
- Resistive touchscreen
- Supports full range screw-type (locked) AC-in or 24V DC-in (option)
- Supports multi-signal inputs: VGA, S-video, Video and DVI-D
- Supports panel mount, wall mount, rack mount and VESA arm



## Introduction

The P6192 is an slim industrial LCD monitor, which adopts 19-inch 350 nits high brightness SXGA LCD display and supports multi-signal interfaces including DVI, VGA, S-Video, Video. Featuring NEMA 4/12 & IP65 compliant front bezel, screw-type adaptor plug design, and 12/24V DC-In means it is fit for all kinds of industrial environments. Moreover, the P6192 supports panel mount, wall mount, rack mount or VESA FPMPMI mounting (Video Electronics Standards Association Flat Panel Monitor Physical Mounting Interface). With the compact mechanism design, users can enjoy free from space constraint. It is especially suitable for POI/POS, media-display applications and all kinds of heavy-duty industrial fields.

## Specifications

Front Bezel	NEMA 4/12 (IP65)-compliant, metal front bezel	
Mounting	Panel mount, wall mount, rack mount and VESA arm FPMPMI mounting (video electronics standards association Flat Panel monitor physical mounting interface)	
LCD Panel	Display Type	19" TFT SXGA LCD
	Max. Resolution	1280 x 1024
	Max. Colors	16.7M
	Active Area (mm)	376.32 x 301.06
	Pixel Pitch (mm)	0.294 x 0.294
	Response Time	5 ms
	Backlight	LED
	Backlight MTBF	50,000 hrs
	Viewing Angle (H/V)	170°/160°
	Contrast Ratio	1000 (TYP.)
Brightness (cd/m <sup>2</sup> )	350 nits	
Display Control	OSD (on screen display)	
Display Mode	VGA 640 x 350 (70Hz), VGA 640 x 480 (60/72/75Hz), VGA 720 x 400 (70Hz), SVGA 800 x 600 (60/72/75Hz), XGA 1024 x 768 (60/72/75Hz), SXGA 1280 x 1024 (60/72/75Hz)	

## Specifications

Input Signal	VGA Video: R.G.B Analog 0.7v Peak-to-Peak DVI (Only for DVI-D) Touchscreen: Serial RS-232 or USB Video (optional) S-video (optional)	
I/O Connectors	1 x RS-232 or USB for touchscreen version 1 x VGA input 1 x RCA for video (optional) 1 x S-Video for video (optional) 1 x DVI (Only for DVI-D) 1 x Screw type or Phoenix type power input	
Power Adapter	Screw-type external AC/DC power adapter	
Touchscreen	Thickness	Resistive: 3.2 mm
	Light Transmission	Resistive: 80%
	Power Consumption	Resistive: +5V@ 100mA
	Touch Life	Resistive: 35million touches Controller interface: RS-232 D-Type 9-pin male connector or USB connector
Dimensions	482 mm (18.97") (W) x 59.5 mm (2.34") (D) x 399 mm (15.7") (H)	
Packing Dimensions	610 mm (24.02") (W) x 260 mm (10.24") (D) x 590 mm (23.23") (H)	
Weight (net/gross)	9.46 kg (20.86 lb)/13.5 kg (29.76 lb)	
Environment	Operating temperature: 0° ~ +55°C (+32°F ~ +131°F) Storage temperature: -20°C ~ +60°C (-4°F ~ +140°F) Relative humidity: 20%~90%@40°C, non-condensing	
Certificate	CE	



▲ Stand kit



▲ Various mounting ways Panel/Wall/VESA



▲ Screw-type power input



▲ Phoenix-type power input

## Ordering Information

### P6192 (Inputs include: VGA, DVI, RCA, S-Video)

AC Power	Panel Mount Monitor	
	Resistive (RS-232)	P6192PR-AC-RS-V3-RC-US-EU
	Resistive (USB)	P6192PR-AC-U-V3-RC-US-EU
24VDC Power	Panel Mount Monitor	
	Resistive (RS-232)	P6192PR-24VDC-RS-V3-RC
	Resistive (USB)	P6192PR-24VDC-U-V3-RC
	Glass	P6192PG-AC-V3-RC-US-EU
	Glass	P6192PG-24V-DC-V3-RC

### P6192L (Input: VGA and DVI only)

AC Power	Panel Mount Monitor	
	Resistive (RS-232)	P6192LPR-AC-RS-V3-RC-US-EU
	Resistive (USB)	P6192LPR-AC-U-V3-RC-US-EU
24VDC Power	Panel Mount Monitor	
	Resistive (RS-232)	P6192LPR-24V-DC-RS-V3-RC
	Resistive (USB)	P6192LPR-24V-DC-U-V3-RC
	Glass	P6192LPG-AC-V3-RC-US-EU
	Glass	P6192LPG-24V-DC-V3-RC

\* Specification and certifications are based on options and may vary.

## Optional Accessories

ARM-VM-101	VESA ARM (clamp type)
ARM-VM-105	VESA ARM (wall mount type)
Wall mounting & desktop stand	

Архангельск (8182)63-90-72  
Астана +7(7172)727-132  
Белгород (4722)40-23-64  
Брянск (4832)59-03-52  
Владивосток (423)249-28-31  
Волгоград (844)278-03-48  
Вологда (8172)26-41-59  
Воронеж (473)204-51-73  
Екатеринбург (343)384-55-89  
Иваново (4932)77-34-06  
Ижевск (3412)26-03-58  
Казань (843)206-01-48

Калининград (4012)72-03-81  
Калуга (4842)92-23-67  
Кемерово (3842)65-04-62  
Киров (8332)68-02-04  
Краснодар (861)203-40-90  
Красноярск (391)204-63-61  
Курск (4712)77-13-04  
Липецк (4742)52-20-81  
Магнитогорск (3519)55-03-13  
Москва (495)268-04-70  
Мурманск (8152)59-64-93  
Набережные Челны (8552)20-53-41

Нижний Новгород (831)429-08-12  
Новокузнецк (3843)20-46-81  
Новосибирск (383)227-86-73  
Орел (4862)44-53-42  
Оренбург (3532)37-68-04  
Пенза (8412)22-31-16  
Пермь (342)205-81-47  
Ростов-на-Дону (863)308-18-15  
Рязань (4912)46-61-64  
Самара (846)206-03-16  
Санкт-Петербург (812)309-46-40  
Саратов (845)249-38-78

Смоленск (4812)29-41-54  
Сочи (862)225-72-31  
Ставрополь (8652)20-65-13  
Тверь (4822)63-31-35  
Томск (3822)98-41-53  
Тула (4872)74-02-29  
Тюмень (3452)66-21-18  
Ульяновск (8422)24-23-59  
Уфа (347)229-48-12  
Челябинск (351)202-03-61  
Череповец (8202)49-02-64  
Ярославль (4852)69-52-93